

Transport Technology / Body components / Roller shutters and roller doors

# Roller shutters and roller doors

Aluminium roller shutters and roller doors



# Contents

Chapter	Product category		Page
Roller shutters and roller shutter doors	Aluminium roller shutters	ROLL-TO 35/40 roller shutter	58.01.01.1
		ROLL-TO 50 roller shutter	58.01.02.1
	Aluminium roller shutter doors	C4 Lite roller shutter door	58.02.01.1

# Product index

## Numeric

Article No.	Pg.	Article No.	Pg.	Article No.	Pg.
0190.1000.9105-LI	58.01.01.4	14010	58.02.01.4	2426.0300.0002	58.01.01.4
0190.1000.9105-RE	58.01.01.4	15010	58.02.01.4	2426.0350.0001	58.01.01.4
0296.3021.0100-LI	58.01.01.4	15011	58.02.01.4	2426.0350.0002	58.01.01.4
0296.3021.0100-RE	58.01.01.4	15012	58.02.01.3	2552.4050.3100	58.01.01.4
0712.14xx.xxxx	58.01.01.4	15013	58.02.01.3	305.2010.10xx	58.01.01.4
0773.1046.xxxx-100-LI	58.01.01.4	15028	58.02.01.4	5609.9160.6020	58.01.01.4
0773.1046.xxxx-100-RE	58.01.01.4	15029	58.02.01.3	D16290-001-110	58.01.01.4
11010	58.02.01.3	15030	58.02.01.3	D16290-001-120	58.01.01.4
11011	58.02.01.3	16009	58.02.01.3	D16290-001-150-GRx	58.01.01.4
11012	58.02.01.3	16010	58.02.01.4	D16290-001-310	58.01.01.4
11023	58.02.01.3	17008	58.02.01.3	F-1550.9100.3000	58.01.01.4
11025	58.02.01.3	17009	58.02.01.4		
11026	58.02.01.3	17010	58.02.01.3		
11027	58.02.01.3	1750.3033.xxxx-100	58.01.01.4		
11028	58.02.01.3	1753.1000.xxxx	58.01.01.4		
11029	58.02.01.3	18004	58.02.01.3		
11030	58.02.01.3	18012	58.02.01.4		
11033	58.02.01.3	18015	58.02.01.4		
12004	58.02.01.3	18023	58.02.01.3		
12016	58.02.01.3	18033	58.02.01.3		
12017	58.02.01.3	19001	58.02.01.4		
12018	58.02.01.3	19002	58.02.01.4		
12019	58.02.01.3	19003	58.02.01.4		
12020	58.02.01.3	19027	58.02.01.3		
12021	58.02.01.3	19030	58.02.01.3		
12022	58.02.01.3	19032	58.02.01.3		
12023	58.02.01.3	19043	58.02.01.3		
12024	58.02.01.3	19046	58.02.01.4		
12028	58.02.01.4	19052	58.02.01.4		
12031	58.02.01.3	19059	58.02.01.3		
12036	58.02.01.4	19059	58.02.01.3		
12057	58.02.01.3	19061	58.02.01.4		
13006	58.02.01.4	19069	58.02.01.3		
13012	58.02.01.4	19085	58.02.01.3		
13014	58.02.01.4	19101	58.02.01.3		
13015	58.02.01.4	19104	58.02.01.4		
1320.0120.xxxx	58.01.01.4	210001	58.02.01.4		
14004	58.02.01.4	210002	58.02.01.3		
14005	58.02.01.4	210003	58.02.01.3		
14006	58.02.01.3	210005	58.02.01.4		
14007	58.02.01.4	2426.0285.0001	58.01.01.4		
14008	58.02.01.4	2426.0285.0002	58.01.01.4		
14009	58.02.01.3	2426.0300.0001	58.01.01.4		

## ROLL-TO 35 roller shutter

The ROLL-TO 35 / 40 roller shutter has long since proven its worth in the vehicle manufacturing sector. Incorporating anodised aluminium profiles and eco-friendly materials for the accessories, the design is in keeping with today's best available technology and ensures a long, uninterrupted service life. The design is continuously being refined to enhance its stability and lower its overall weight.

### Design options:

- Available in 8 mm and 12 mm panels (21 es / 22 es)
- Various installation options available
- Can be supplied either with lock bar or double handle
- Choice of colour available with larger order volumes
- LED lighting
- Electric operation (tubular motor or flange mounted motor)
- Central locking

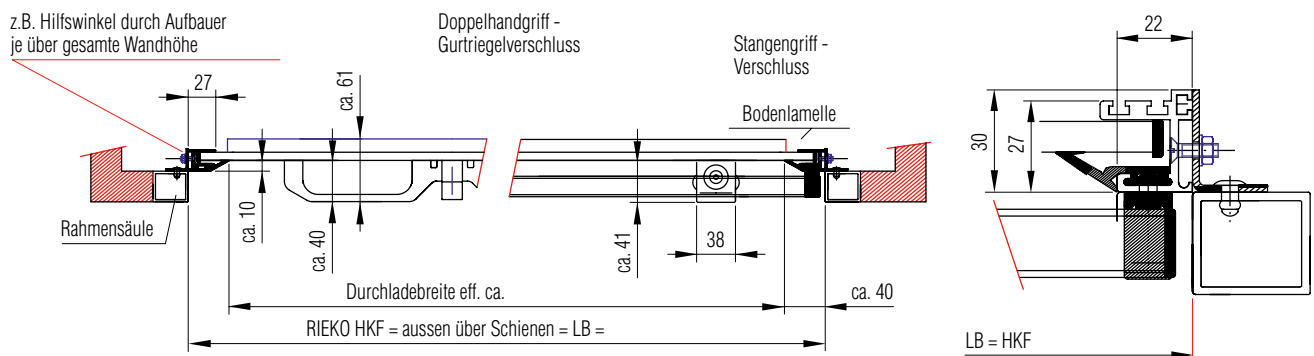


# ROLL-TO 35 Roller shutter

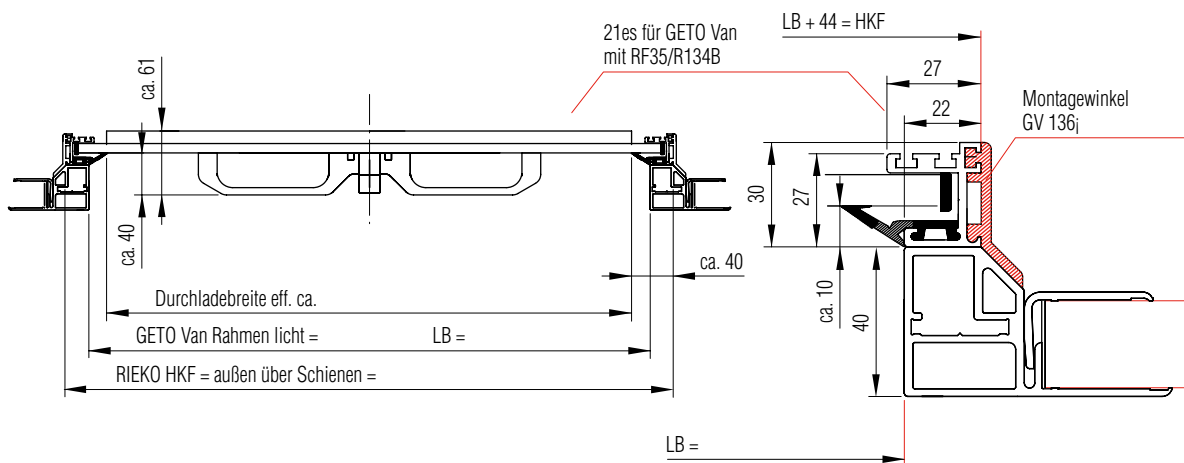
## Explanation of abbreviations

LB	Clear width	GH	Overall height
LH	Clear height	ST	Height of lintel
EB	Required width	V 1 - 7	Roller shutter assembly options
OKE	Bottom of guide rail to top of element	21 es	Slat size: 8 mm thick and 34.7 mm high
HKF	Width to outer edge of guide	22 es	Slat size: 12 mm thick and 40.8 mm high

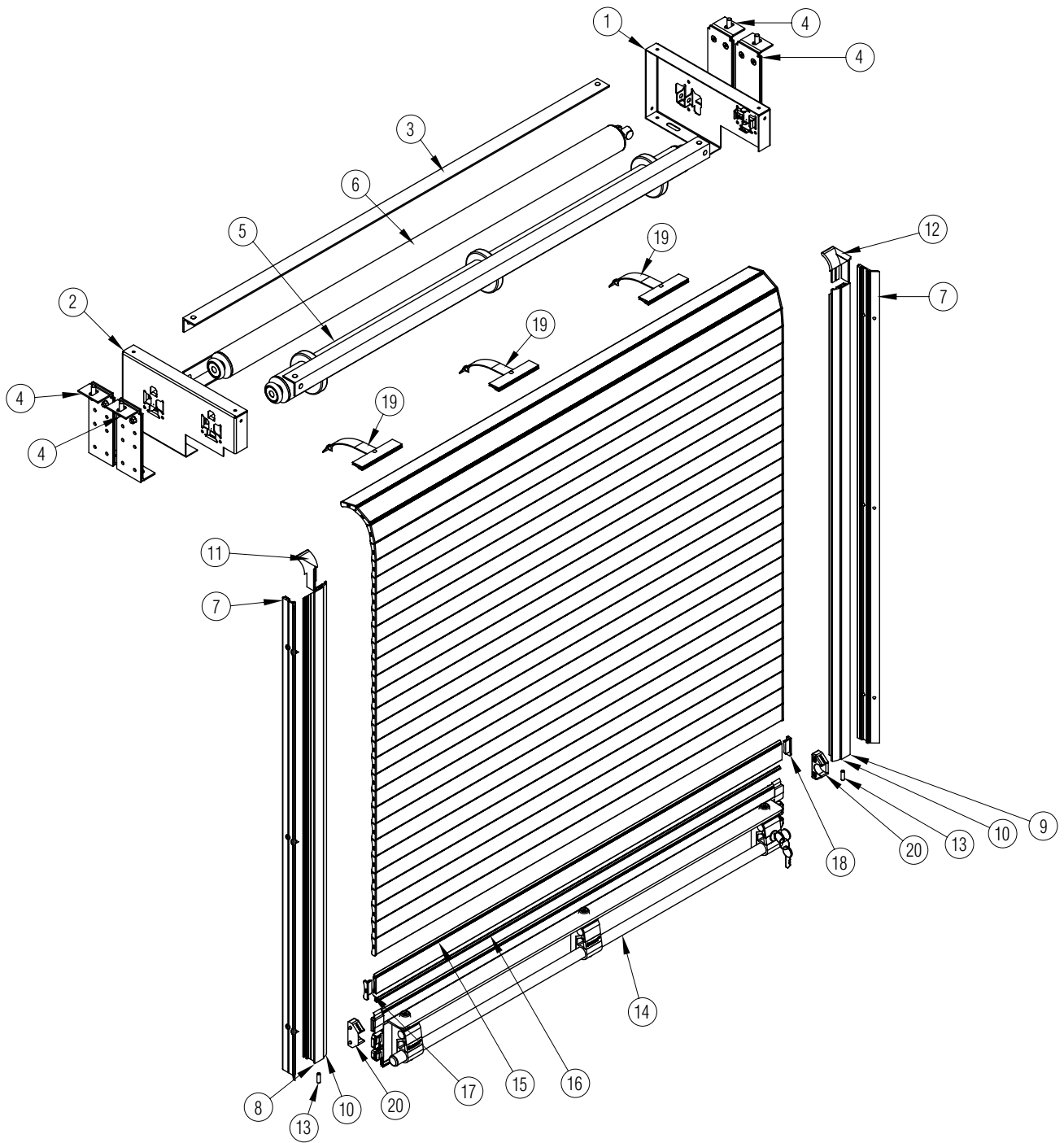
## For third-party wall frames



## For GETO Van® wall frames



# ROLL-TO 35 Roller shutter



All technical specifications contained in this brochure are approximate and no guarantee is given as to their accuracy. Designs are subject to change.

# ROLL-TO 35 Roller shutter

Item no.	Description	Surface	Order instructions	Part No.
1	Side section-Size 1 left 153 x 285 w/o ball bearing	galvanised	depending on casing size	2426.0285.0001
	Side section-Size 2 left 183 x 300 w/o ball bearing	galvanised	depending on casing size	2426.0300.0001
	Side section-Size 3 left 213 x 350 w/o ball bearing	galvanised	depending on casing size	2426.0350.0001
2	Side section-Size 1 right 153 x 285 w/o ball bearing	galvanised	depending on casing size	2426.0285.0002
	Side section-Size 2 right 183 x 300 w/o ball bearing	galvanised	depending on casing size	2426.0300.0002
	Side section-Size 3 right 213 x 350 w/o ball bearing	galvanised	depending on casing size	2426.0350.0002
3	Aluminium bracket 30 x 30 x 3 mm	anodised / RAL / blank	specify length + finish	1750.3033.xxxx-100 <sup>1</sup>
4	Element mounting bracket for side section-Sizes 1 - 3	blank	-	D16290-001-150-GRx <sup>1</sup>
5	Type 50/12 bearing shaft with ball bearing	-	specify width of element	D16290-001-120
6	Spring shaft compl. with ball bearing and fixing screws	-	specify extern. dim. of element	D16290-001-110
7	Mounting bracket 136° for GETO Van body kits	anodised / RAL / blank	specify length + finish	1753.1000.xxxx <sup>1</sup>
8	Right-side guide pre-fitted	anodised / RAL / blank	specify length + finish	0773.1046.xxxx-100-RE <sup>1</sup>
9	Left-side guide pre-fitted	anodised / RAL / blank	specify length + finish	0773.1046.xxxx-100-LI <sup>1</sup>
10	Side guide seal	black	specify length	305.2010.10xx <sup>1</sup>
11	Intake guide, from inside right	white	-	0190.1000.9105-RE
12	Intake guide, from inside left	white	-	0190.1000.9105-LI
13	Cup point socket screw	-	-	5609.9160.6020
14	Standard bottom slate with lock bar	-	specify roller shutter casing width	D16290-001-310
15	Slat profile for design version 1	anodised / RAL / blank	specify length + finish	0712.14xx.xxxx <sup>1</sup>
16	Joint lining	translucent	specify length	1320.0120.xxxx <sup>1</sup>
17	Arrester left	black	-	0296.3021.0100-LI
18	Arrester right	black	-	0296.3021.0100-RE
19	Trailer, standard, with strap	-	-	F-1550.9100.3000
20	Internal lock bar retainer	black	-	2552.4050.3100

<sup>1</sup> x = Numbers will vary depending on the information to be provided in the "Order instructions" column

## ROLL-TO 50

We are breaking new ground with our latest-generation ROLL-TO 50 roller shutter.

- The ROLL-TO 50 consists of hollow aluminium profiles
- With bright-rolled or anodised finish
- Sealed all round
- Guide rails made of galvanised or stainless steel
- Designed for installation between or behind pillars
- Suitable for side-wall or rear-frame installation
- Roof-stowed, roll-up or combined configuration
- Minimised spring shaft diameter of just 80 mm
- Dimensions

	max.	min.
Width	2800	600
Height	3000	600



- Max. outer-shell surface of 6 m<sup>2</sup>
- Low profile height (just 120 mm for roof-stowed version)
- Small winding diameter (e.g. 300 mm with height of 3 m)
- Variable locking configurations matched to type of use
- Electrical actuation available on request (roof-stowed version only)
- Complies with the lateral protection requirements of European Directive 89/297 EEC and article 32C of the German road traffic regulations (STVZO) for frame width clearances of up to 2500 mm
- ROLL-TO 50 units are supplied pre-cut to the clearance width.
- Weight
 

Outer shell surface	approx. 7.5 kg/m <sup>2</sup>
Rails	approx. 1.1 kg/m
Spring shaft assembly	approx. 6.5 kg/m
Pivoting roller bearings	approx.: 1.5 kg/each

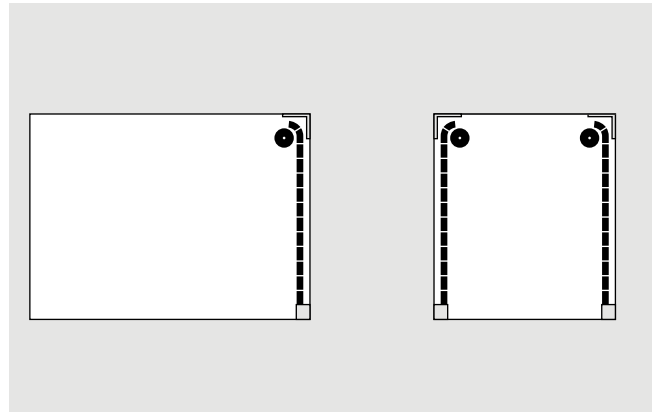




# ROLL-TO 50

## Roll-up type

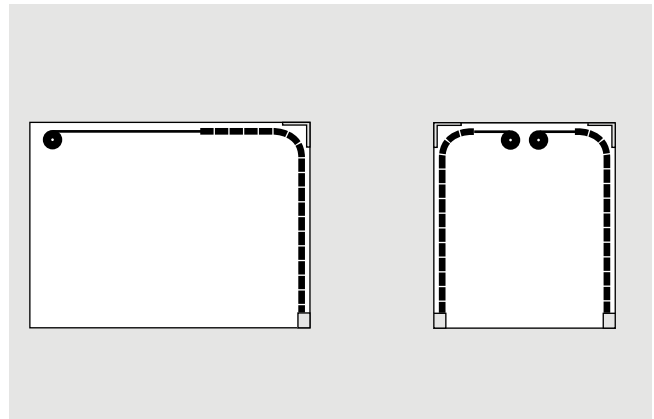
The roller (of approx. 80 mm  $\varnothing$ ) placed directly above the opening is used to wind up the aluminium slats, each measuring approx. 50 mm in width. The roller is spring-loaded to facilitate opening and closing. If the opening is more than 1500 mm high, a pivoting roller bearing is used to swivel the roller back to compensate for the increasing diameter of the wound-up slats. When the shutter is being closed, the swivelling arm in the roller bearing swings the roller towards the top panel to ensure that the uppermost slats are always perpendicular and in line with the sealed edges.



## Roof-stowed/combination type

In this variation, the roller is fitted to the opposite wall. Webbing straps secure the armoured roller shutter to the roller.

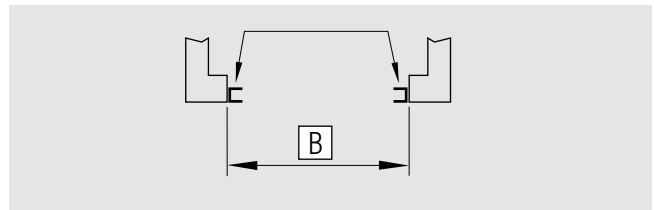
This configuration is ideal for maximising the height of the opening. The height of the cargo area is diminished only slightly by the stowing under the roof of the roller-shutter slats.



## Installation method:

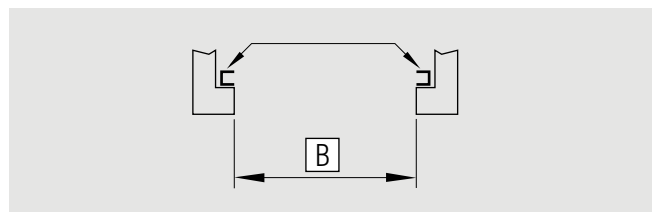
### Method I

Guide rails placed between pillars



### Method II

Guide rails placed behind pillars



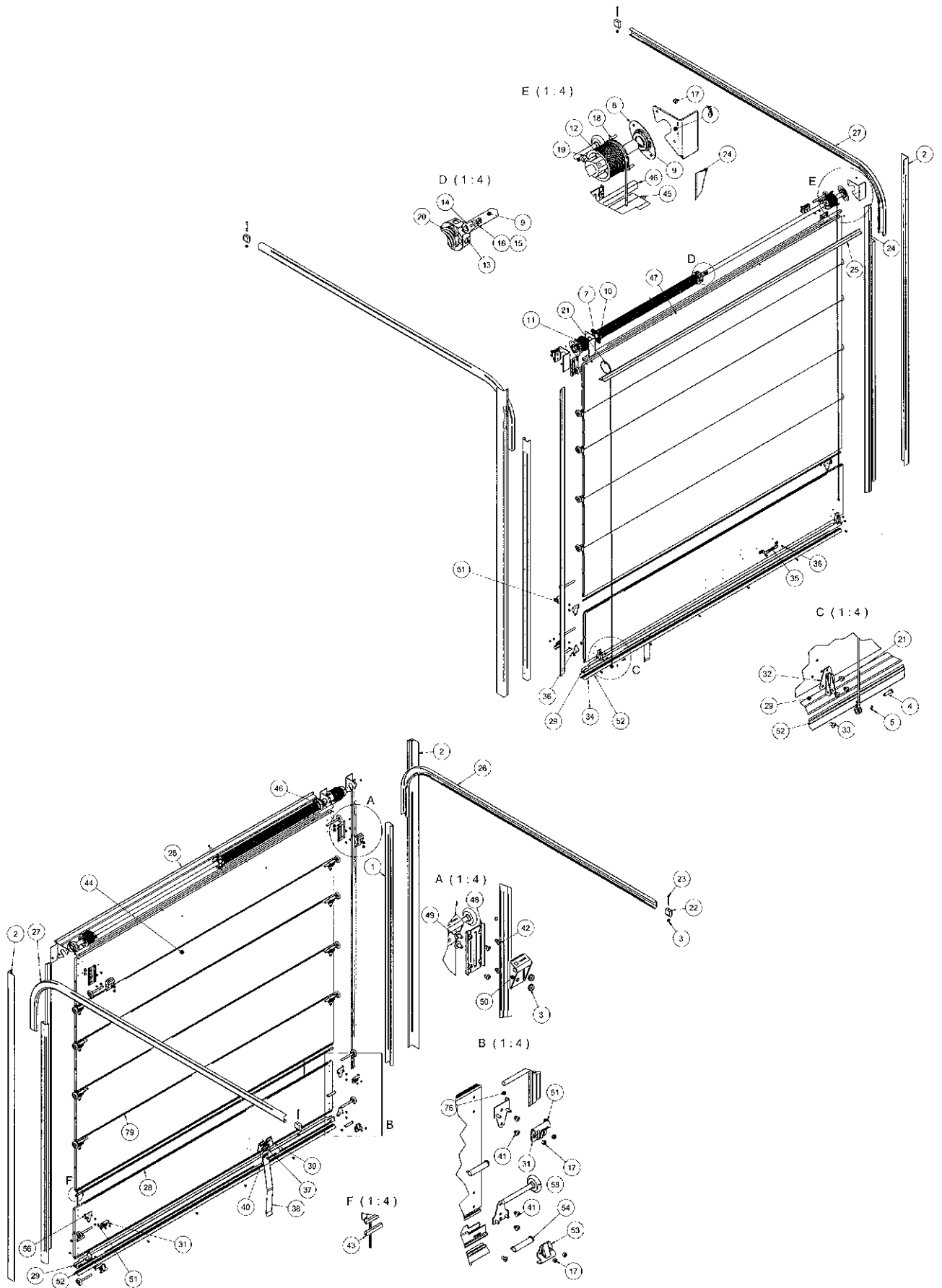
## C4 Lite Roller door

Easy, secure, fast, space-saving and payload optimised – these are words that come to mind when opening and closing the C4 Lite roller shutter door installed on the back of a distribution vehicle body or when transporting furniture. The attractive design also offers plenty of surface area for advertising. The C4 Lite aluminium roller shutter door is tried and tested and extremely well engineered.

As the C4 Lite roller shutter door is TÜV-approved to DIN EN 12642 (5000 daN), it can be used with virtually every commercial vehicle body kit and with swap bodies. If fitted to a TITGEMEYER GETO Van body kit, the roller shutter door can be approved to DIN EN 12642 Code XL with a payload of up to 16,000 kg.



# C4 Lite Roller door



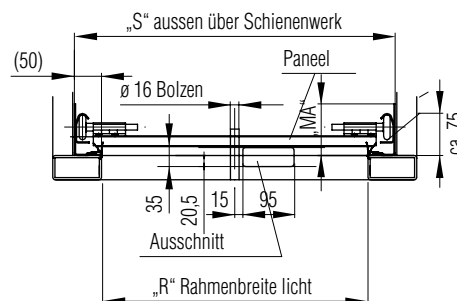
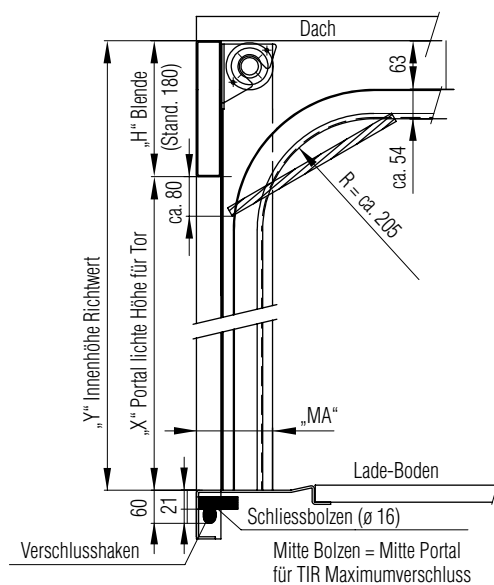
All technical specifications contained in this brochure are approximate and no guarantee is given as to their accuracy. Designs are subject to change.

## C4 Lite Roller door

Item no.	Description	Length  [mm]	Article No.	
			JR I.	Titgemeyer
1	C-rail 2", galvanised	2091	11012	-
1	C-rail 2", perforated	3191	11033	-
2	Flag post, 63 x 40 x 3000, left, with bracket	-	11027	-
2	Flag post, 63 x 40 x 3000, right, with bracket	-	11028	-
2	Flag post, 63 x 40 x 2600, left, with bracket	-	11029	-
2	Flag post, 63 x 40 x 2600, right, with bracket	-	11030	-
3	Self-locking nut M 6, nyloc, galvanised	-	19059	-
4	Bolts for cable anchor, C4 Lite	-	15029	-
5	Cotter pin for cable anchor bolt, C4 Lite	-	15030	-
6	Bracket for spring-loaded shaft, right	-	12021	-
7	Bracket for spring-loaded shaft, left	-	12020	-
8	Bearing shell with bearing	-	12004	-
9	Spring shaft balancer, blank	-	12016	-
10	Spring-loaded bearing 2", bearing side C4 Lite	-	12023	-
11	Steel cable drum, right, broad	-	12018	588 744 000
12	Steel cable drum, left, broad	-	12017	588 742 000
13	Spring-loaded bearing 2", balancer side	-	12022	-
14	Spring holder for spring-loaded bearing 2", C4 Lite / Alu Plus / Co.	-	12024	-
16	Locking collar screw	-	19043	-
17	Self-locking nut M 6, nyloc, galvanised	-	19059	-
17	D-Ripp retaining washer M 6	-	19027	-
18	Screw, M 6 x 25 mm, for spring-loaded bearing bracket	-	19069	-
19	Set screw M 10 for cable drum	-	19030	-
20	Spring, 50.8 x 1346 mm, blue	-	12031	-
20	Spring, 50.8 x 885 mm, green	-	12019	-
20	Spring, 50.8 x 713 mm, orange	-	12057	-
21	Cable (single), rustproof 7 x 7, 110"	-	17008	588 762 000
21	Cable (single), rustproof 7 x 7, 130"	-	17010	588 763 000
22	Rubber buffer 2"	-	11023	-
23	Screw, M 6 x 55 mm, hexagonal, for rubber buffer	-	19032	-
24	Side seal, C4 Lite	2500	18023	-
24	Side seal, C4 Lite	3000	18033	588 777 000
25	"Top" seal, C4 Lite	2500	18004	588 772 000
26	Horizontal rail, left 2", 3.7 x 203 mm, 8"R, yellow	-	11010	-
26	Horizontal rail, left 2", 3.2 x 204 mm, 8"R, yellow	-	11025	-
27	Horizontal rail, right 2", 3.7 x 203 mm, 8"R, yellow	-	11011	-
27	Horizontal rail, right 2", 3.2 x 204 mm, 8"R, yellow	-	11026	-
28	Intermediate panel C4 Lite, 378 x 2500 mm, bare	-	210 002	-
29	Bottom rail (Maxi-Schloss), bare, C4 Lite	2500	210 003	-
30	Side roller holder, bottom section, VA, Ci Lite	-	14009	-
31	Universal roller holder, black, C4	-	14006	-
32	Cable anchor plate, galvanised, C4	-	15013	-
34	Drilling screw, countersunk 7504 Form, 4.2 x 25, galvanised	-	19085	-
35	Handle, slim, galvanised, Mobile	-	15012	-
36	TIBULB blind rivets A 6.4 x 20.5 ST/ST spring-loaded shaft bracket	-	19101	-
37	Strap holder for strap, C4	-	16009	-

# C4 Lite Roller door

Item no.	Description	Length [mm]	Article No.	
			JR I.	Titgemeyer
38	Strap, nylon, black	1200	16010	-
39	Sign ID number JR GmbH	-	15028	-
40	TIBULB blind rivets 8.8 - 10.8 / $\varnothing$ 6.5 x 16.5 mm	-	19002	-
40	TIBULB blind rivets A 4.8 x 11.5 S/St	-	19104	-
41	TIBULB blind rivets 4.8 - 6.8 / $\varnothing$ 6.4 x 12.5 mm	-	19003	-
42	TIBULB blind rivets 3.4 - 5.4 / $\varnothing$ 6.5 x 10.5 mm	-	19001	-
43	Intermediate seal for C4, PVC	2500	18015	-
44	Intermediate panel C4 Lite, 278 x 2500 mm, bare	-	210 001	-
46	Top lath, bare, 15 x 15 x 1.5 x 2500 mm	-	210 005	-
47	Blind rivets, 4.8 x 10 mm	-	19061	-
48	Top roller holder, bottom, black, coated	-	14004	-
49	Nut, M 8, nyloc, hexagonal, for top roller holder	-	19052	-
49	Socket set screw M 8, VA	-	19046	-
50	Top roller holder, top, black, plastic	-	14005	-
51	Spacer ring for idler pulleys, C4 Lite	-	13012	-
52	Bottom seal C4 Lite, Maxi Lock, duro	2440	18012	-
53	Side roller holder, upper section, VA, C4	-	14010	-
54	Bushing, plastic, black, left	-	13015	-
54	Bushing, plastic, black, right	-	13014	-
55	Cable (single), rustproof 7 x 7, 125"	-	17009	-
56	Base plate for roller holder right, white, coated	-	14008	-
56	Base plate for roller holder left, white, coated	-	14007	-
58	Idler pulley 2", nylon/galvanised steel	-	13006	588 823 000
	Damper, plastic	200	12036	-
	Ball bearing 1"	-	12028	-
	Hook lock Maxi, galvanised, Mobile	-	15010	588 792 000
	Lock case for hook lock Maxi, galvanised	-	15011	588 793 000



# Notes

A large grid area for taking notes, consisting of 30 columns and 40 rows of small squares.



**Titgemeyer GmbH & Co. KG**

Hannoversche Straße 97  
49084 Osnabrück / DE

P.O. Box 43 20  
49033 Osnabrück / DE

T +49 541 5822-0  
E [info@titgemeyer.com](mailto:info@titgemeyer.com)  
W [titgemeyer.com](http://titgemeyer.com)