

Fastening Technology

CIRTEQ®

Retaining rings and Snaprings



Variety, expertise & experience



Dietrich Leifert, Managing Director Sales

Dear Customer,

Thank you for taking the time to discover the wide variety of products we have on offer. We have updated and completed our full product range for you, so you can find exactly what you need.

Our range of Cirteq products includes basic type of rings, radial assembly rings, rings for compensating axial play, snaprings, self locking rings, and shim and support washers. This document is also available in paperless form in the download section on our website, www.titgemeyer.com. Just select "Service" to find all our documents in PDF format.

Our great choice of products is just the starting point. You can also benefit from the technical competence and the many years of experience of our staff in application advice, inside sales, and field service! Together we will lead your individual projects to success.

The majority of our products are made in our own factories, thereby offering the best guarantee of fulfilling your requirements.

Our Europe-wide sales network enables us to make sure you always have a contact close at hand. On top of that, our colleagues in our Export division will also provide you with worldwide support.

Just get in touch with us, and let's take it from there!

Yours faithfully

A handwritten signature in black ink that reads "Dietrich Leifert". The signature is written in a cursive, flowing style.

Dietrich Leifert

Contents

Page

general company information	Facts and figures	4
	Company history	6
	There for you for over 100 years	8
	We manufacture	9
	Made in Europe	10
	Warehouse and logistics	12
	Research and development	14
	Quality and safety	15
	Service	16
	Titgemeyer International	18
	Sectors	20
	Transport technology and fastening technology	21
	Sealants and adhesives	22
	CIRTEQ® Retaining rings and Snaprings	Basic type of rings
Radial assembly rings		112
Rings for compensating axial play		126
Snaprings		156
Self locking rings		176
Shim and support washers		188

Facts and figures

1901

Foundation
in Melle, Germany



30.000

different
Products

16

different
Locations



2014

Joachim Sommer becomes the first
sole managing director

700
Employees
Europe-wide



9
different
Sectors



5
different
apprenticeship offers



15.000
Square metres of storage space

1908

The company moves to Osnabrück and trades under the name "Gebr. Titgemeyer Osnabrück" from then on.

1951

Titgemeyer presents its commercial vehicle products at the first post-war International Automobile Exhibition (IAA).

1960

"Metall- und Kunststoff-Verarbeitungsgesellschaft mbH" (MKG), a fully-owned Titgemeyer company, is established in Münster and then relocated to Lotte.

1979

"Gebr. Titgemeyer APS Copenhagen" is established as a subsidiary in Denmark.

1972

The "Gesellschaft für Befestigungstechnik Gebr. Titgemeyer" company is established.

1901

The two brothers, Adolf and Fritz Titgemeyer, establish a wholesale business in Melle, dealing in commodities required by wagon builders and blacksmiths.



1935

The company also begins specialising in tool manufacturing and acquires its first subsidiary, Berlin-based "AGIL".

1961

Titgemeyer develops the GETAL range (GETO VAN).



1954

sees Titgemeyer obtain the exclusive rights to distribute POP® blind rivets in Germany.

1995

The subsidiary "Titgemeyer UK Ltd." is established in Tipton near Birmingham.

2012

Titgemeyer acquires its long-time supplier, Baker & Finnmere Limited, in Birmingham.

2016

The subsidiary "Titgemeyer Turkey" is established in Istanbul.

2019

"Rivetec s.r.o." becomes "Titgemeyer Tools & Automation spol s r.o.."



2001

Titgemeyer celebrates 100 years in business.

1982

Walter Titgemeyer and Walter Schmidt found the "TS-Gesellschaft für Transport- und Sicherungssysteme" company.

2000

Titgemeyer acquires the Czech-based "Rivitec s.r.o." company.



2018

The Titgemeyer company acquires "RIEKO GmbH", a company based in south Germany.

2014

Joachim Sommer Dr. (Univ. Nebraska-Lincoln) is appointed sole Managing Director of "Gebr. Titgemeyer GmbH & Co. KG" and "GTO Beteiligungs-GmbH". The previous managing directors, Gerd-Christian and Manfred Titgemeyer, stay on at the Group as shareholders.

2019

Titgemeyer acquires Cirteq Ltd; a leading international company specialising in safety and snap rings with more than 200 employees at its Glusburn site in the UK.

There for you for over 100 years

Titgemeyer Group is a leading international fastening technology and transport technology company with over 700 employees at 16 individual sites across Europe.

Steeped in tradition, the company develops, manufactures and sells more than 30,000 fastening elements, tools and vehicle components for and to multiple sectors – in series and to customer specification. The Group's plants in the United Kingdom produces push-on fasteners, lockbolts, Retaining rings and Snaprings, it's facility in the Czech Republic power tools and automation solutions, and its German sites box bodies, cargo control systems and roller shutter systems.

Aside from state-of-the-art production technology, qualified advice and perfectly coordinated logistics operations, Titgemeyer offers its customers complete solutions involving the use of leading global brands.

Headquartered in Osnabrück (Germany), the family-owned company was founded in 1901 and is now run by its third generation – always with the aim of wowing its customers. In 2018, Titgemeyer Group generated some 100 million euros in sales worldwide.



We manufacture



We work closely with you to develop increasingly new products tailored to your needs - in our dedicated in-house facilities.

Solutions that we do not produce ourselves are developed in connection with our strong partners.

Because we always think that one step ahead and, together with you, find the right solution to every challenge.

Our central distribution centre serves the entire world.

Some 20,000 articles are stored in storage facilities spanning in excess of 15,000 square metres, awaiting your order.

Made in Europe

In close consultation with our customers we continuously develop modern products at our own dedicated facilities - that are perfectly tailored to your requirements. Because we always think that one step ahead and work with you to find the right solution for every challenge.



Tipton / UK

Cirteq Limited

Production operation: lockbolt systems

Situated near Birmingham, our subsidiary, Cirteq Ltd., formerly operated under the name of Baker & Finemore, has been developing and manufacturing high-quality lockbolt systems since 1999. The 1,767 m² production facility is home to 25 employees working in production, quality control and the administration. The solutions that are forged here are successfully used across the globe.

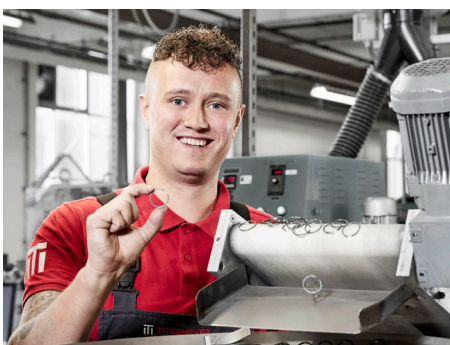


Glusburn / UK

Cirteq Limited

Production operation: Starlock® push-on fasteners and Starpress pressings

Under our Starlock brand, we sell and distribute a wide selection of spring steel lockbolts as well as the matching installation tools. Aside from producing in series, our employees also cater to your individual requirements. Every year, Starlock lockbolts are used in some 50 countries across all continents. We also manufacture bespoke precision pressings under the brand name Starpress.

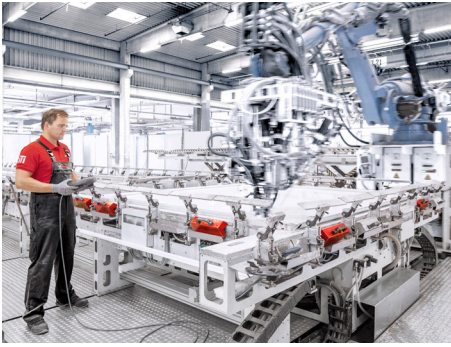


Glusburn / UK

Cirteq Limited

100% Retaining rings and Snaprings

Cirteq Ltd. is a leading international circlip and retaining ring specialist with over 250 employees. It's also a member of Titgemeyer Group. Through this inheritance we continue to play a significant role in the circlip / retaining ring marketplace constantly developing innovative products, manufacturing processes and delivery systems in close collaboration with the world's leading manufacturers and automotive companies.

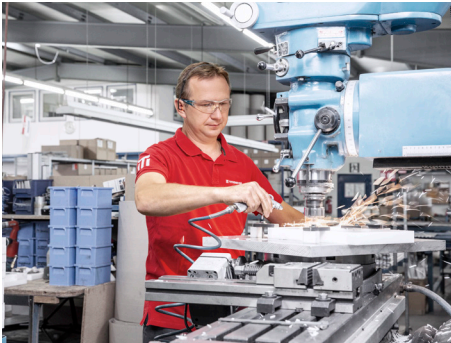


Lotte / DE

Werk Lotte / Titgemeyer GmbH & Co. KG

Production operation: body kits, special designs, plastic elements, and doors and door hinges

The first Titgemeyer production plant outside Osnabrück was established in Lotte in 1960. With a production area of 9200 m² all told, a total of eight halls were built on the premises up to 1998. Today, our employees develop and manufacture body kits, bespoke solutions and various parts for commercial vehicles.



Pliezhausen / DE

RIEKO GmbH

Production operation: roller shutters, roller grilles, roller shutter doors, lattice grilles and folding shutters

Founded in 1963, the RIEKO company specialises in roller shutters and their associated accessories. The production and product range has been broadened to include aluminium designs. The company has been a member of Titgemeyer Group since 2018. With over 50 years' experience and 20 long-serving employees, Rieko is a partner of international renown in numerous branches and sectors and a hallmark of outstanding safety engineering, energy consciousness and excellent service.



Pisek / CZ

Titgemeyer Tools & Automation spol s.r.o.

Production operation: tools and automation solutions

The facility was established in the Czech town of Albrechtice in 1994 and is today based in Pisek, some 100 kilometres south of Prague. With more than 80 employees, RIVETEC has been a member of Titgemeyer Group since the year 2000. Rivetec specialises in developing and manufacturing high-quality hydropneumatic and electrohydraulic riveting tools. Custom-produced automated systems and production lines round off the company's business activities.



Gevelsberg / DE

TS Gesellschaft für Transport- und Sicherungssysteme mbH

Production operation: cargo control systems

Founded in 1982, the company today has 17 employees and is one of the leading suppliers of cargo control systems for commercial vehicles. Together with Titgemeyer Group, TS Ladungssicherung is taking on an increasingly important role on the European and international market. The range comprises a wealth of innovative products that have been created in close consultation with customers, scientists and inspection agencies. Under the brand name BISON, numerous cargo control products have been developed and manufactured which have already become the industry standard.

Warehouse and logistics



Central warehouse in Osnabrück

Holistic logistics for efficient flow of goods



Full Service

- Titgemeyer stands for full service in warehouse logistics. With the logistics center in Osnabrück, we not only have the experience and know-how in all logistics disciplines, but also have networks throughout Germany, Europe and the whole world.

A fast network

- Through the full integration of the logistical processes to our service providers, especially in general cargo and parcel shipping, a 24/48 hour delivery service is guaranteed throughout Germany. In addition, we deliver part of your goods with our own fleet.



Modern logistics



Central distribution centre

- The central distribution centre serves every entity within the Titgemeyer Group.
- Some 20,000 articles are stored at this 15,000 square metre plus facility.
- Its modern technology, like paperless picking, ensures the warehouse's management operations are highly efficient.
- We also offer customs clearance services
- We operate our own fleet
- Repacking from larger to smaller packages
- Direct sales ex warehouse

Research and development



Bespoke innovations



Finite element method

- Reduced development times through FEM

3D printing

- In-house 3D printer available on request for prototype production

Development partnerships

- Close cooperation with universities, research institutes and other development partners.

Quality and safety



Better safe than sorry



Quality assurance

- Both our company headquarters and the production facilities have quality assurance operations.
- Tensile and salt spray tests are performed among others.
- In-house products and those of our suppliers undergo rigorous testing.

Certification and permits within the group

- ISO 9001:2015
- ISO 14001:2015
- ISO/TS 16949:2009
- DIBt approval
- KBA permits in acc. with German road traffic regulations (StVZO)
- PPAP Automation approved to VDA directives

Service



Applications Advice



Our advice reaps the perfect results for you

For over 100 years, our company has been a standard bearer for expert advice and first-class service. Because you can depend on our applications consultants!

New rivets, tools, sealants or adhesives - whatever you're looking for, our consultants will help you locate the right individual products from our range and configure integrated systems.

If you're in the field of vehicle construction, our applications consultants are also on hand throughout the process chain: whether offering advice, selecting products or assisting with assembly operations, we are more than happy to help.

Maintenance and Repair Service



Our service for your long-lasting tools

Even the best technology starts to show signs of wear and tear. And to ensure that we quickly detect when this time comes, we offer a professional maintenance and repair service – in our dedicated workshops.

Tool Service

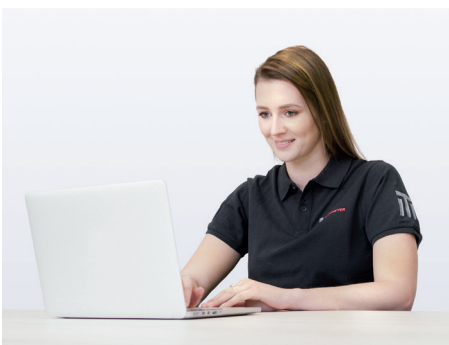


Our spare tools for your uninterrupted production

Would you like us to repair or maintain your tools, or do you need a spare? Not a problem. We will equip you with a spare tool from our versatile service pool free of charge and without losing any time.

Our service for you – so that your work can carry on without interruption.

Download Center and E-shop



The Download Center, for those who want to be up to date

You need a manual for your new tool? Then visit our Download Center. There you will find assembly instructions, spare parts lists and certificates.

For all those who know precisely what they need.

- For repeat orders and individual items that can be procured without advice, our e-shop is the ideal place.
- The e-shop is secure and open everywhere and all hours.
- Your purchases can be made in just a few simple steps.
- Features such as fast orders or favourite lists make your purchasing transaction easier.
- New products and new features are continually being added.

Titgemeyer International

Headquarter and central warehouse

Titgemeyer GmbH & Co. KG
Osnabrück / DE



Sales locations



Titgemeyer Austria GmbH
Wien / AUT



Titgemeyer Polska sp. z o.o.
Sieradz / POL



Cirteq Limited
Glusburn / UK



RIEKO GmbH
Pliezhausen / DE



Titgemeyer (UK) Limited
Tipton / UK



Titgemeyer Skandinavien A/S
Greve / DK



Werk Lotte
Lotte / DE



TS Gesellschaft für Transport- und
Sicherungssysteme mbH
Gevelsberg / DE



Titgemeyer France
Fere en Tardenois / FR



Titgemeyer BeNeLux
Driebergen / NL



Titgemeyer Tools & Automation
spol s.r.o.
Písek / CZ



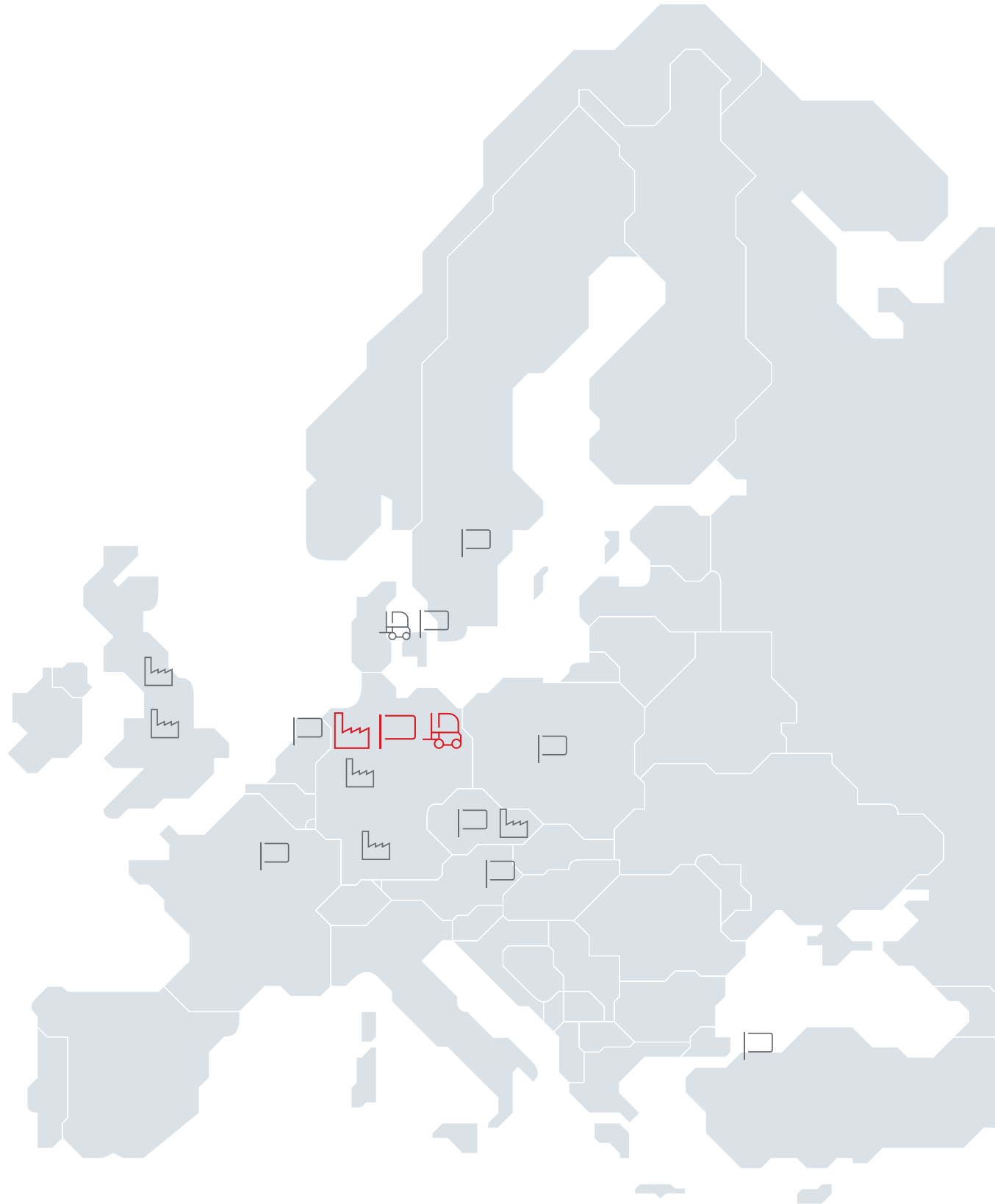
Cirteq Limited
Tipton / UK



Titgemeyer Turkey Baglanti
Teknolojileri San. ve Tic. A.S.
Istanbul / TUR



TITGEMEYER CZ spol. s r.o.
Písek / CZ



Sectors

We understand the challenges you face

Just for you, we have specialised in your industry - so we can better understand what moves you. Our experts are adept consultants and at your side to master every challenge that arises.

We apply our know-how in all of the following sectors:



Transport technology



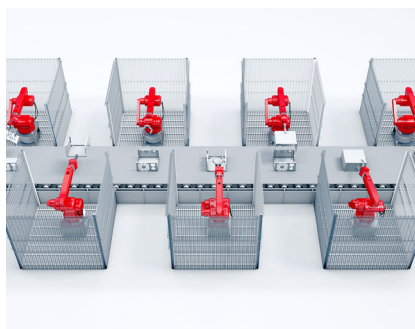
Trades



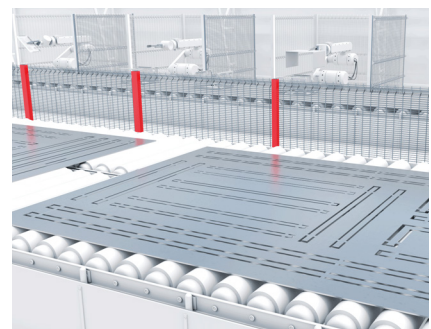
Wholesalers



Automotive



Mechanical and plant engineering



Metal industry



Railway vehicle manufacturing and railway transportation



Logistics and transportation



Aviation and aerospace

Transport technology and fastening technology

For the construction of modern commercial vehicles, we develop and produce body kits as well as chassis technology, chassis components and bodywork systems to ensure the safe and secure, economical and environmentally friendly conveyance of (your) goods - with your ideas and wishes being our most important driving force. It was on the basis of these that we developed the GETO Van® body kit - the first of its kind for truck bodies.

Our product assortment of fastening technology is as diverse as your requirements. We refine our blind rivets, threaded inserts and lockbolt systems with the same resoluteness that we apply to our push-on fasteners, installation tools, sealants and adhesives.

Because your areas of application demand individual and bespoke solutions. In the 1950s, we revolutionised conventional fastening technology in Germany - by introducing the POP® blind rivet.



The product range of the Titgemeyer Group

- Body kits
- Chassis technology
- Bodywork components
- Bodywork systems
- Blind rivets
- Threaded inserts
- Lockbolts
- Push-on fasteners
- Retaining- and Snaprings
- Assembly systems
- Installation tools
- Sealants and adhesives

The brands of the Titgemeyer Group

- GTO®
- GETO®
- GETO® VAN
- PLASTIVAN®
- TILA®
- RIEKO®
- ROLLTO®
- MEGA PORT®
- BISON®
- STARLOCK®
- TIFAS®
- TIBULB®
- TIOS®
- RIV-TI®
- PRESSTI®
- LockBolt®
- POLYSTIC®

CIRTEQ[®] Retaining rings and Snaprings



Basic Type of Rings



see page 42
DIN 471
D1400 / A
N1400 / NA



see page 62
DIN 472
D1300 / J
N1300 / NJ



see page 82
M1408 / AV
N1408 / NAV



see page 88
M1308 / JV
N1308 / NJV



see page 94
DIN 983
D2100 / AK



see page 98
DIN 984
D2000 / JK



see page 102
DIN 471 Heavy Duty
D1460 / AS
N1460 / NAS



see page 108
DIN 472 Heavy Duty
D1360 / JS



Radial Assembly Rings



see page 110
DIN 6799
D1500 / RA



see page 112
N1500 / NRA / NRF / NRG
9133 / NRL



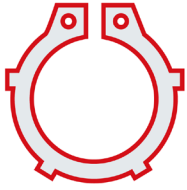
see page 116
M1800 / H
N1800 / NH



see page 120
N1504 / NKP



see page 122
N1540 / NRH



Rings for Compensating Axial Play



see page 124
N1402 / NAB



see page 128
M1302 / JB
N1302 / NJB



see page 138
M1401 / AW
N1401 / NAW



see page 142
M1301 / JW
N1301 / NJW



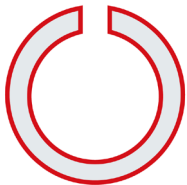
see page 146
N1501 / NRJ / NRX



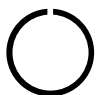
see page 148
DIN 983L
AL



see page 150
DIN 984L
JL



Snaprings



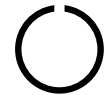
see page 152
DIN 5417
M3200 / SP



see page 156
M2400 / SW



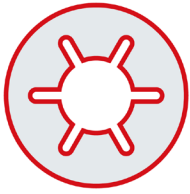
see page 162
M2300 / SB



see page 170
DIN 7993A
RW



see page 174
DIN 7993B
RB



Self Locking Rings



see page 178
M1455 / ZA



see page 180
M1355 / ZJ



see page 182
KS



see page 184
N1465 / NZA



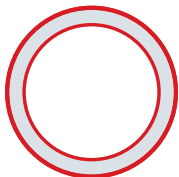
see page 186
M1440 / G
N1440 / NG



see page 190
DIN988 / PS
DIN988 / SS



see page 194
DIN988 / SS



Shim and Support washers



see page 190
DIN988 / PS
DIN988 / SS



see page 194
DIN988 / SS



CIRTEQ® Retaining rings and Snaprings

Marc Bremke, Productmanager

Content

Section	Product category		Page	
CIRTEQ® Retaining rings and Snaprings		At a glance	30	
	Basic types of rings	Classic Circlips / Retaining Rings	Rings for shafts DIN 471 / D1400 / A	44
			Rings for shafts N1400 / NA	58
			Rings for bores DIN 472 / D1300 / J	64
			Rings for bores N1300 / NJ	78
		Inverted Circlips	V-Rings for shafts M1408 / AV	84
			V-Rings for shafts N1408 / NAV	88
			V-Rings for bores M1308 / JV	90
			V-Rings for bores N1308 / NJV	94
		'K' Type Rings	K-Rings for shafts DIN 983 / D2100 / AK	96
			K-rings for bores DIN 984 / D2000 / JK	100
		Heavy Duty Circlips	Rings for shafts (heavy duty) DIN 471 / D1460 / AS	104
			Rings for shafts (heavy duty) N1460 / NAS	108
			Rings for bores (heavy duty) DIN 472 / D1360 / JS	110
		Rings for radial assembly	E-Clips	E-Clips DIN 6799 / D1500 / RA
	E-Clips N1500 / NRA / NRF / NRG			114
	E-Clips 9133/NRL			116
	Reinforced E-Clip N1540 / NRH			118
	Crescent rings		Crescent rings M1800 / H	120
			Crescent rings N1800 / NH	122
	Kliprings		Kliprings N1504 / NKP	124

Section	Product category		Page	
CIRTEQ® Retaining rings and Snaprings	Rings for compensating axial play	Bevelled Circlips	Bevelled rings for shafts N1402 / NAB	126
			Bevelled rings for bores M1302 / JB	130
			Bevelled rings for bores N1302 / NJB	134
		'Bowed' W Rings	Bowed rings for shafts M1401 / AW	138
			Bowed rings for shafts N1401 / NAW	140
			Bowed rings for bores M1301 / JW	142
			Bowed rings for bores N1301 / NJW	144
			E-Clips bowed N1501 / NRX / NRJ	146
			'Dished' L Rings	L-rings for shafts 983L / AL
	L-rings for bores DIN 984L / JL	150		
	Constant section snap rings	Snap rings for roller bearings		Snap rings for roller bearings DIN 5417 / M3200 / SP
		Snaprings	Snap Rings for shafts M2400 / SW	156
			Snap Rings for bores M2300 / SB	162
		Round wire rings for bores DIN 7993 A / RW	170	
		Round wire rings for bores DIN 7993 B / RB	174	

Section	Product category		Page	
CIRTEQ® Retaining rings and Snaprings	Push-on fix / Grip rings	Push-on fix	Push-on fix for shafts M1455 / ZA	176
			Push-In fix for bores M1355 / ZJ	178
			Heavy duty push-on fix for shafts KS	180
			Push-on fix for shafts N1465 / NZA	182
			Grip rings for shafts without grooves M1440/G	184
			Grip rings for shafts without grooves N1440/NG	186
	Shim and Support washers	Shim washers	Shim washers DIN988/PS	188
		Support washers	Support washers DIN988/SS	192

CIRTEQ® Retaining rings and Snaprings



100% Retaining rings and Snaprings

Cirteq Ltd. is a leading international circlip and retaining ring specialist with over 200 employees, at the Glusburn site in Great Britain.

The company was founded in 1939 under the name Anderton Springs and has been part of the Titgemeyer Group since 2019.

The traditional company develops, manufactures more than 4,000 retaining rings and snaprings - in series and on customer request.

Knowing what matters.

As a supplier to the automotive industry (certified), general mechanical engineering and other industries, Cirteq Ltd. consistently focuses on quality, in its products, processes and service.

An important part of the service is the consultation, which starts very early in customer projects. The expertise of the cross-functional teams from quality, design and sales can save a lot of money and time.

Knowing to be ahead

The great competence of the employees results from the 100% specialisation in retaining rings and snaprings, the more than 80 years of experience of the entire company and the continuously trained skills of each individual. This enables product and process innovations, targeted investments and an above-average level of quality.

Range at a glance

Basic Type of Rings



Classic Circlips / Retaining Rings

The universally applicable rings for shafts and bores.

- Applications in all branches of industry and machine, instrument and vehicle construction.



'K' Type Rings

With equally distributed lugs around the circumference suitable for covered applications.

- Retention of machine parts with large edge off-sets, chamfers or radii, for example roller bearings.



Inverted Circlips

With a small radial height. Simultaneously transferring axial forces and serving as a radial guidance.

- In designs with low clearance
- Fixing of needle roller bearings, seals, etc.



Heavy Duty Circlips Reinforced Design

For applications with a high axial force.

- Use with splined shafts.

Radial assembly rings



'E' Ringe

The universally used radially assembled circlip for shafts. The groove is gripped by 3 tabs.

- Vehicle construction
- Optical and electronic industry
- Light mechanical industry



Crescent Rings

In keeping with the principle of a single radial assembly 'E' ring. Large clasp angle.

- For retaining inner pin bushes in articulated joints
- In sprocket chains.



Kliprings

Large abutments of outer tabs offer effective additional retention.

- Vehicle construction
- Machine construction
- Electric motors

Rings for Compensating Axial Play



Bevelled Circlips

As classic rings, however offering more application possibilities due to the bevel effect to compensate for axial tolerances.

- Gearing/Transmission, wheel bearings
- Vehicle construction
- Machine construction



'Bowed' W Rings

For shafts and bores. Curved form compensates large play with low force.

- Installation of roller bearings without axial play and for noise damping
- General machine construction
- Machine tools



'Dished' L Rings

For shafts and bores. Formed 'like' a disc spring. For a sprung compensation of low axial play.

- To press against nilos rings on roller bearings
- Fixing of outer discs on multi disc clutches

Snaprings



Snaprings DIN 5417

For shafts. The inner edges are radiussed for fixing of roller bearings with a groove and outer ring.

- Roller bearing to DIN 616



Round Wire Rings DIN 9925 / DIN 9926

Round cross section wire rings, cold worked spring steel. Especially suited for semi-circular grooves with covering.

- Retention of gudgeon pins
- Transmission and vehicle construction
- Metal forming industry



Snaprings

For shafts and bores with small clearance.

- Gear box construction
- Retention of bearings and seals



Self locking rings



Push-On Fix Clips

Strengthened version of the toothed clip, transmitting relatively high axial forces.

- Fixing of switches and indicator lamps
- For office machines and household devices
- Optical and electronic industry



Toothed Clips

Concentric design. Small radial height, for use against softer materials.

- Shafts and bores without groove and of low depth
- In optical devices
- Fixing seals



Grip Rings

High clamping force for a play-free retention on shafts without a groove. Easily removable, self locking grip rings.

- Use for shafts without a groove
- For locating and fixing
- As a slide-ring for brake adjustment



Shim and Support washers



Shims DIN 988

A rigid means of reducing axial play caused by manufacturing tolerances. Stepwise thickness combination.

- Compensation of axial play
- Machine construction
- Vehicle construction

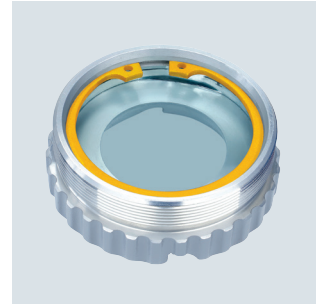
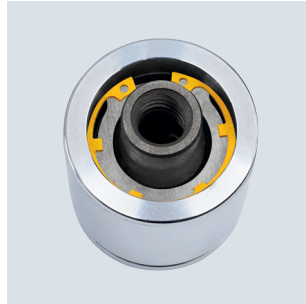
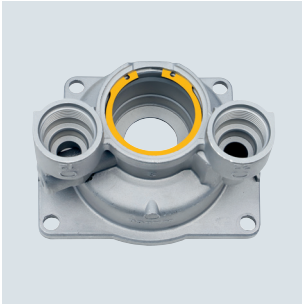


Support Washers DIN 988

Manufactured from spring steel, hardness HRC 44-49. Larger sizes with ground faces.

- Between components with large radiussed edges and retaining rings. To create a true abutment.

Materials, Surfaces,



Materials

Standard production material is Spring Steel to DIN 17221, DIN 17222 or DIN 17223. For high temperature applications or where superior corrosion resistance is required Cirteq rings are also available in Stainless Steel DIN 1.4122 or PH15.7MO and Phosphor Bronze type PB102 or CUSN8.

Packing

Internal circlips are generally supplied stacked and shrink wrapped. All other products are supplied loose in small cartons or paper rolled

Quality Accreditations

- IATF 16949:2016
- ISO 14001:2015



Material Retaining rings

Material	Spring steel	EN I O 132 C67S, C72S* or C7 5S stamped parts made of strip steel EN I O264 C67D, C72D* or C75D Coiled and stamped parts made of spring steel wire
Alternative materials	Martensitic stainless steel	EN I O 151 X35CrMo7 Norm. 1.4122 stamped parts made of strip steel EN I O270-3 X35CrMo7 Norm. 1.4122 Coiled and stamped parts made of spring steel wire
	Hardened stainless steel	ASM 5520D Ph 14-7 all parts
	Bronze**	EN 1654 CuSn5*, CuSn6 or CuSn8 stamped parts made of strip steel EN 12166 CuSn5*, CuSn6 or CuSn8 Coiled and stamped parts made of spring steel wire

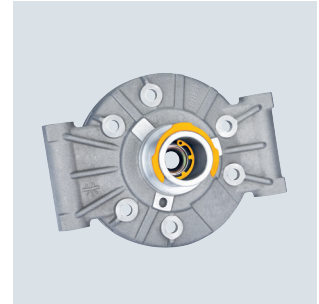
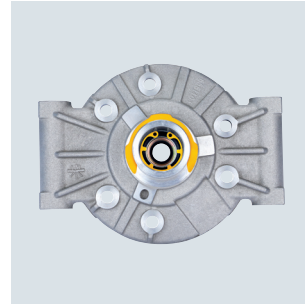
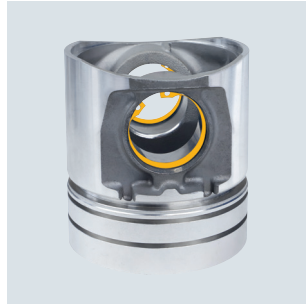
Material Snap rings

Material	Spring steel	EN I O132 C67S, C72S* or C75S small diameter stamped parts made of strip steel EN I O270-1 Patented drawn and coiled spring steel wire**
Alternative materials	Martensitic stainless steel	EN I O270-3 XcrNi 18-8 Norm 1.4310
	Bronze**	EN 12166 CuSn5*, CuSn6 oder CuSn8

* Preferred/Standard Material

** Material grade (strength/hardness) depending on use

Packing, Quality



Surface Protection

Rings are generally supplied with a phosphate and oil coating, giving adequate corrosion resistance during the stocking period.

Special Finishes

For extra corrosion resistance a mechanical zinc plating protection is recommended, applied with various passivations to give the required salt spray resistance, without the risk of hydrogen embrittlement.

Surface finishes

Phosphatizing and oiling

To achieve corrosion protection adequate for storage and transport, most of the rings are zinc-phosphated and oiled. Cirteq retaining rings and Cirteq rings with a low thickness tolerance are normally just oiled.

Mechanical plating

In a special process zinc and other metallic particles or compounds are hammered onto the rings by rotating them in a drum with glass pellets of a particular size.

This process provides greater protection against hydrogen-induced delayed brittle fracture.

Electrophoretic painting

The phosphated surface is additionally protected in a subsequent painting process. This produces outstanding Corrosion resistance.

However, the relatively thick coating of approx. 0.04 mm must not be overlooked.

Coating processes with lamellar Zinc

On a base of zinc phosphate a layer is deposited in an immersion centrifugal process and burnt in. Several coatings and processes are possible to increase corrosion resistance still further or to achieve a decorative protective coating.

Colour identification

In addition to the temper colours, thin coatings of copper or brass can be used for colour differentiation of Cirteq fastenings.

Other processes

At customers' request coatings with high corrosion resistance such as zinc/iron or zinc/nickel can be applied but here it must be noted that Cirteq fastenings are high-strength components and that both these processes carry a risk of hydrogen brittle fracture.

High corrosion resistance is provided by processes consisting of hardened zinc or aluminium lamellas (chrome VI - free - e.g. Geomet®).

General notes

When using Cirteq fastenings with an additional coating it must be noted that the thickness of the coating increases the thickness of the ring; this must particularly be borne in mind in the design and dimensions of the groove.

All special processes require a certain batch size to be commercially viable.

Further notes are contained in the Cirteq size list or the Cirteq range and price list.

Manufacturer equivalents

Metric standard				
Cirteq	Seeger	Truarc	Rotorclip	DIN
D1400/A	A		DSH	471
D1300/J	J		DHO	472
M1408/AV	AV		DSI	
M1308/JV	JV		DHI	
D2100/AK	AK		DST	983
D2000/JK	JK		DHT	984
D1460/AS	AS		DSR	
D1360/JS	JS		DHR	
D1500/RA	RA		DE	6799
M1800/H	H		DC	
JB	JB		DVH	
M1401/AW	AW			
M1301/JW	JW			
AL	AL			
JL	JL			
M3200/SP	SP			5417
M2400/SW	SW			
M2300/SB	SB			
RW	RW			7993A
RB	RB			7993B
SC	SC			73130
M1455/ZA	ZA		DTX	
M1355/ZJ	ZJ		DTI	
KS	KS			
M1440/G	G			
SS	SS			
PS	PS			

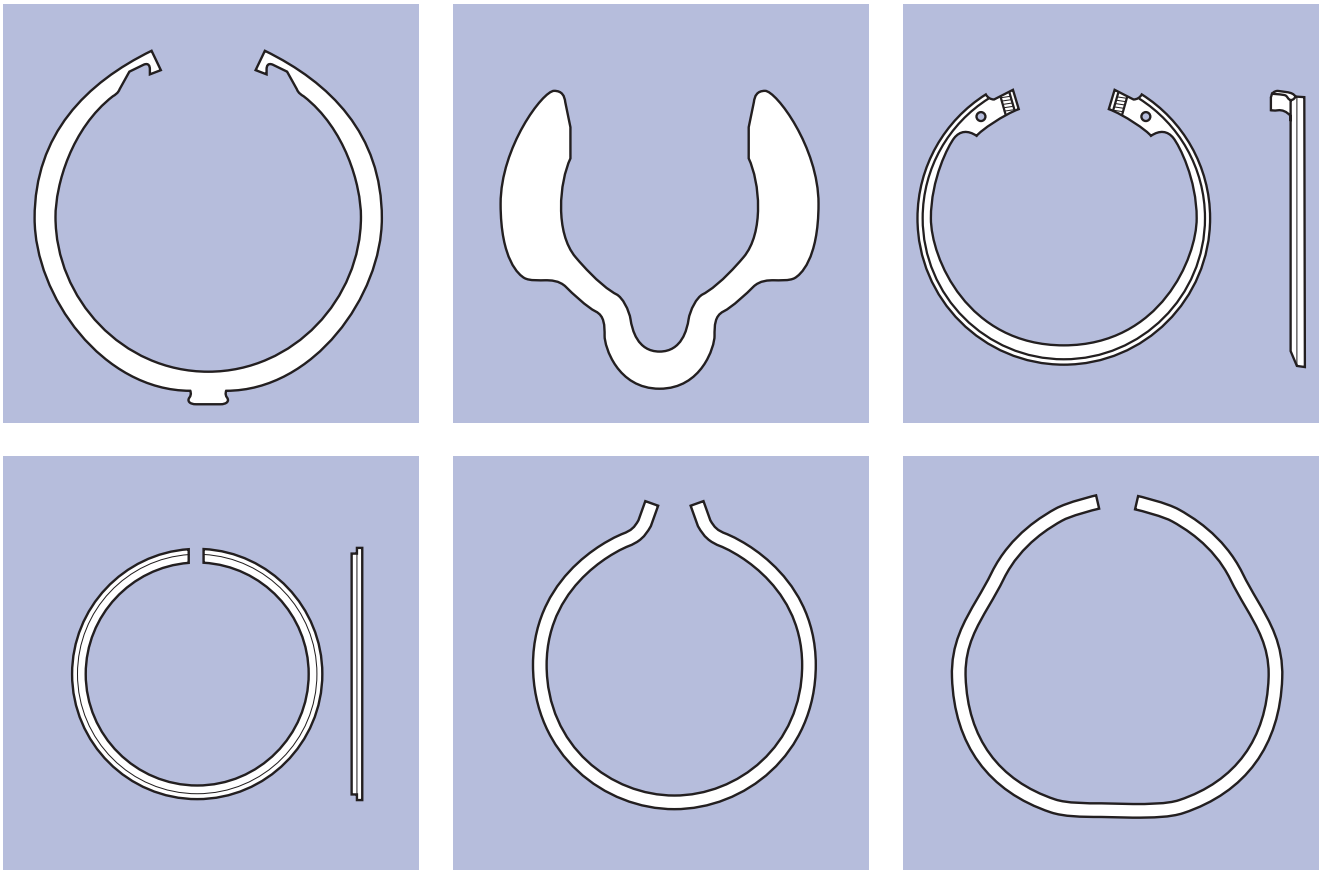
Zoll standard				
Cirteq	Seeger	Truarc	Rotorclip	Mil Std. MS Nos.
N1400/NA		5100	SH	16624
N1300/NJ		N5000	HO	16625
N1408/NAV		5108	SHI	16626
N1308/NJV		5008	HOI	16627
N1460/NAS		5160	SHR	3217
N1500/NRA		5133	E	16633
N1501/NRX		5131	BE	16634
N1504/NKP		5304	PO	
N1540/NRH		5144	RE	3215
N1800/NH		5103	C	16632
N1402/NAB		5102	VSH	16630
N1302/NJB		N5002	VHO	16631
N1303/NDB		N5003		
N1401/NAW		5101	BSH	16628
N1301/NJW		N5001	BHO	16629
N1465/NZA		5005	TX	
N1440/NG		5555	SHF	90707

Hardness ranges

Type	Size range	Rockwell HRC
471 I 01400 I A	3 to 48	47 to 54
472/D1300J	50 to 200	44 to 51
M1408/AV	202 to 300	40 to 47
M1308/JV	305 to 1000	38 to 43
983/D2100/AK		
984/D2000/JK		
D1460/AS		
D13&0/JS		
M1401/AW		
M1301/JW		
Grip Rings	1.5 to 30	47 to 54
6799/D1500/RA	1.2 to 24	
M1800/H	3 to 55	
9133/NRL	2 to 35	
M1302/JB	40 to 48	47 to 54
	50 to 140	44 to 51
5417/M3200/SP	30 to 400	40 Minimum
M2400/SW	4 to 460	40 Minimum
M2300/SB	7 to 440	
7993A/RW	4 to 125	
7993B/RB	7 to 125	
73130/SC	10 to 35	
M1455/ZA	1.5 to 45	47 to 54
M1355/ZJ	8 to 50	
KS	1.5 to 10	
988/SS	3 to 22	49 to 54

Type	Size range	Rockwell HRC
N1400/NA	25 to 46	51 to 55
N1401/NAW	50 to 102	49 to 54
	106 to 343	47 to 52
	343 & over	45 to 50
N1300/NJ	25 to 51	51 to 55
N1301/NJW	56 to 77	49 to 54
	81 to 102	47 to 53
	106 to 343	47 to 52
	350 & over	45 to 50
N1302/NJB	100 to 102	47 to 53
	106 & over	47 to 52
N1402/NAB	100 to 102	47 to 54
	106 to 343	47 to 52
	350 & over	45 to 50
N1303/NDB	156 to 281	47 to 52
N11460/NAS	39 to 62	49 to 54
	66 & over	47 to 52
N1408/NAV	50 to 102	47 to 53
	106 to 343	47 to 52
	350 & over	45 to 50
N1308/NJV	62 to 75	49 to 54
	81 to 102	47 to 53
	106 to 343	47 to 52
	350 & over	45 to 50
N1500/NRA	6 to 31	48 to 53
N1501/NRJ/NRX	37 to 137	47 to 52
N1504/NKP	15 to 200	51 to 55
N1540/NRH	9 to 56	
N1800/NH	12 to 18	51 to 56
	21 to 43	49 to 54
	50 to 81	47 to 53
	87 to 200	51 to 52
N1440/NG	7 to 75	46 to 51
N1465/NZA	9 to 100	47 to 51
A1200/YHE	8 to 50	47 to 54
A1100/YHP	7 to 43	

Special Components



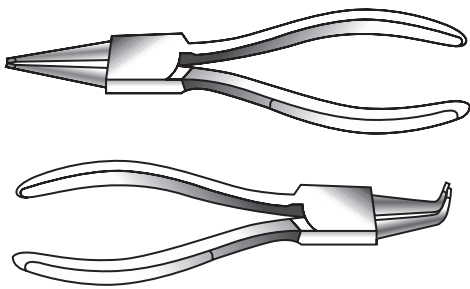
Special Components

Special components with an extremely wide range of shapes and dimensions and consisting of spring steel, phosphor bronze or stainless steels may be manufactured on request. It is recommended to consult Cirteq's technical advisors early on in the product development stage.

Safety Critical Applications

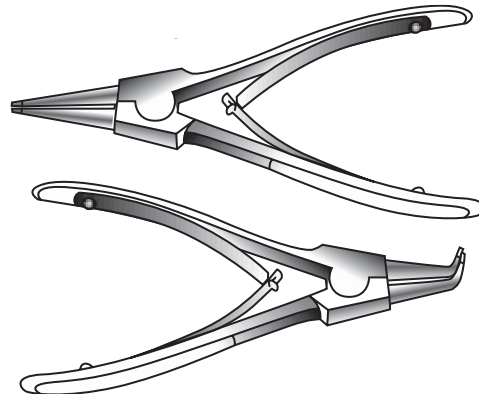
On request, 100 % tested components are available by optical sorting and / or eddy current testing available.

Assembly Tools



Pliers Internal Type J

Straight Nose Typ.No.	J0	J1	J2	J3	J4
Bent Nose Typ.No.	J01	J11	J21	J31	J41
Sizes From - To (mm)	3-10	10-25	19-60	40-100	85-165



Pliers External Type A

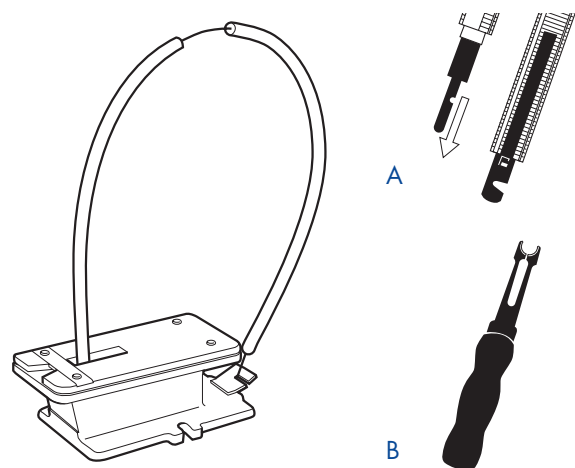
Straight Nose Typ.No.	A0	A1	A2	A3	A4
Bent Nose Typ.No.	A01	A11	A21	A31	A41
Sizes From - To (mm)	3-10	10-25	19-60	40-100	85-165

Eurobase

The EUROBASE is a compact high quality cast iron block with a hard wearing cover plate and incorporates an all round guide for the applicators. Suitable for sizes 1.2 to 10mm. This almost completely guarantees the safe removal of the circlip from the stack, preventing tilting and springing off, and as the applicators are positively guided into position no skill is required.

The stack consists of a flexible steel strip which locates itself when inserted by means of a slot (diagram 'A'). The upper end is bent back and hooked into the base, which prevents any risk of injury from protruding pieces, and the applicators can be parked in the base making a safe space saving installation.

Fixed rod STACKFEEDA bases and applicators are available for circlip sizes 12-19mm.



CIRTEQ® supply applicators to be used in conjunction with the Euro-base.

Glossary of terms

AN

(mm²) Groove area.

a

(mm) Radial width of the ring's lug (Lug height).

B

(-) Load factor indicating how many times the load bearing capacity of the reinforced ring is higher than that of the standard one.

b

(mm) Maximum radial width of the ring (beam).

C

(N / mm) Spring rate of the axially loaded ring.

C₁

(mm) Clearance of circlip on shaft / in bore.

C₂

(mm) Clearance of circlip in groove.

D

(mm) Nominal outside diameter.

d

(mm) Nominal inside diameter.

d₁

(mm) Nominal dimension = shaft or bore diameter.

d₂

(mm) Groove diameter.

d₃

(mm) Inside diameter of rings for shafts or outer diameter of rings for bores in the free state.

d₄

(mm) Centre line diameter of rings in the free state derived from the maximum radial space requirement a or b.

d₄₂

(mm) Diameter d₄ fitted in the groove d₂.

d₅

(mm) Diameter of the assembly holes or corresponding semi-circular slots.

d₇

(mm) wire diameter for round wire circlips.

e

(mm) Unstressed circlip gap.

FL

(N) Axial spring force of L-Rings.

FN

(N) Load bearing capacity of the groove.

FR

(N) Load bearing capacity of the ring with sharp- cornered abutment.

FRg

(N) Load bearing capacity of the ring abutting a machine component with a chamfer, at a corner distance, or radius of g (mm).

F₁

(N) Axial spring force of W-Rings and SL washers at maximum force.

F₂

(N) Axial spring force of W-Ring and SL washers at minimum force.

f

(mm) Spring distance of L-Rings. Axial displacement.

Note:

For American standard Range dimensions will be in ins. and lbs.

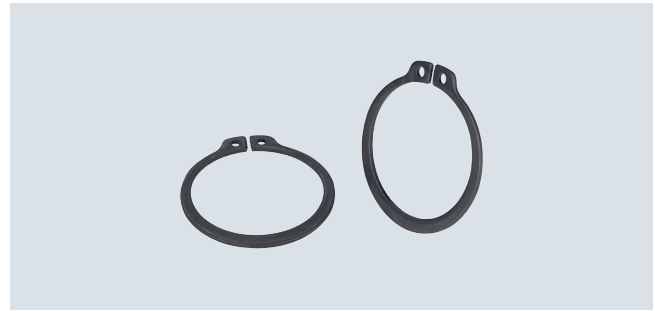
g (mm) Chamfer, corner distance, or radius of the machine component abutting the ring.	s (mm) Thickness of rings.
Weight (kg / 1000) Weight of rings.	s₁ (mm) Thickness of rings at bevelled edge.
h (mm) Ring height.	T.I.R. Total Indicator Reading - maximum allowable deviation of concentricity between groove and shaft.
H (N) Retaining force of Self-Locking rings.	Tc (lb / ft) Clip thrust load.
K (N-mm) Value for calculating the load bearing capacity of the ring.	Tg (lb / ft) Groove thrust load.
L (mm) Compensation of play of rings.	t (mm) Groove depth $t = 1 / 2(d_1 - d_2)$.
l (inches) Free length. m n	u (mm) The required reduction of L for assembly of L-Rings.
m (mm) Groove width.	v (mm) Initial displacement of the axially loaded ring.
n (mm) Shoulder width.	Wo (mm) Curvature of the W-Rings and SL washers in the free state.
n_{det} (rpm) Detaching speed of external rings.	w (-) Wing dimension.
n / t (-) Shoulder length ratio.	X max (-) Maximum bow height.
p (-) Correction factor taking shoulder length ratio into account when FN is available.	X min (-) Minimum bow height.
q (-) Load factor taking into account the shoulder length ratio.	Tolerance (ø).
r (mm) Groove radius.	Number of teeth (Image).

Note:

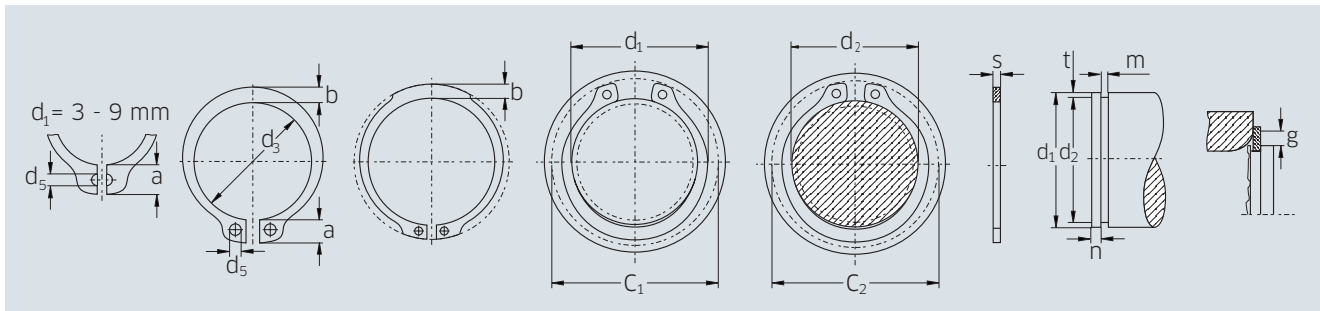
For American standard Range dimensions will be in ins. and lbs.

Rings for shafts

DIN 471/D1400/A



d_1	Part number	s	Tolerance	d_3	Tolerance	a max.	b ≈	d_5 min.	C_1	C_2	Weight [kg/1000]
3	A3	0,40	- 0,05	2,7	+0,04	1,9	0,8	1,0	7,0	6,6	0,017
4	A4	0,40		3,7	- 0,15	2,2	0,9	1,0	8,6	8,2	0,022
5	A5	0,60		4,7		2,5	1,1	1,0	10,3	9,8	0,066
6	A6	0,70		5,6		2,7	1,3	1,2	11,7	11,1	0,084
7	A7	0,80		6,5	+0,06	3,1	1,4	1,2	13,5	12,9	0,121
8	A8	0,80		7,4	- 0,18	3,2	1,5	1,2	14,7	14,0	0,158
9	A9	1,00	- 0,06	8,4		3,3	1,7	1,2	16,0	15,2	0,300
10	A10	1,00		9,3	+0,01	3,3	1,8	1,5	17,0	16,2	0,340
11	A11	1,00		10,2	- 0,36	3,3	1,8	1,5	18,0	17,1	0,410
12	A12	1,00		11,0		3,3	1,8	1,7	19,0	18,1	0,500
13	A13	1,00		11,9		3,4	2,0	1,7	20,2	19,2	0,530
14	A14	1,00		12,9		3,5	2,1	1,7	21,4	20,4	0,640
15	A15	1,00		13,8		3,6	2,2	1,7	22,6	21,5	0,670
16	A16	1,00		14,7		3,7	2,2	1,7	23,8	22,6	0,700
17	A17	1,00		15,7		3,8	2,3	1,7	25,0	23,8	0,820
18	A18	1,20		16,5		3,9	2,4	2,0	26,2	24,8	1,110
19	A19	1,20		17,5		3,9	2,5	2,0	27,2	25,8	1,220
20	A20	1,20		18,5	+0,13	4,0	2,6	2,0	28,4	27,0	1,300
21	A21	1,20		19,5	- 0,42	4,1	2,7	2,0	29,6	28,2	1,420
22	A22	1,20		20,5		4,2	2,8	2,0	30,8	29,4	1,500
23	A23	1,20		21,5		4,3	2,9	2,0	32,0	30,6	1,630
24	A24	1,20		22,2	+0,21	4,4	3,0	2,0	33,2	31,7	1,770
25	A25	1,20		23,2	- 0,42	4,4	3,0	2,0	34,2	32,7	1,900
26	A26	1,20		24,2		4,5	3,1	2,0	35,5	33,9	1,960
27	A27	1,20		24,9		4,6	3,1	2,0	36,7	34,8	2,080
28	A28	1,50		25,9		4,7	3,2	2,0	37,9	36,0	2,920
29	A29	1,50		26,9		4,8	3,4	2,0	39,1	37,2	3,200
30	A30	1,50		27,9		5,0	3,5	2,0	40,5	38,6	3,320
31	A31	1,50		28,6		5,1	3,5	2,5	41,7	40,9	3,450
32	A32	1,50		29,6		5,2	3,6	2,5	43,0	40,7	3,540
33	A33	1,50		30,5	+0,25	5,2	3,7	2,5	44,0	41,7	3,690
34	A34	1,50		31,5	- 0,50	5,4	3,8	2,5	45,4	43,1	3,800
35	A35	1,50		32,2		5,6	3,9	2,5	46,8	44,2	4,000
36	A36	1,75		33,2		5,6	4,0	2,5	47,8	45,2	5,000
37	A37	1,75		34,2		5,7	4,1	2,5	49,0	47,0	5,370

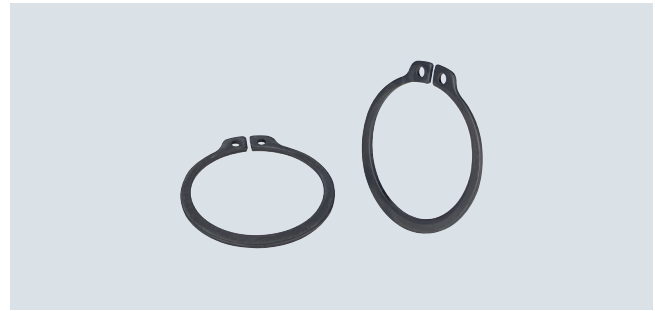


Data

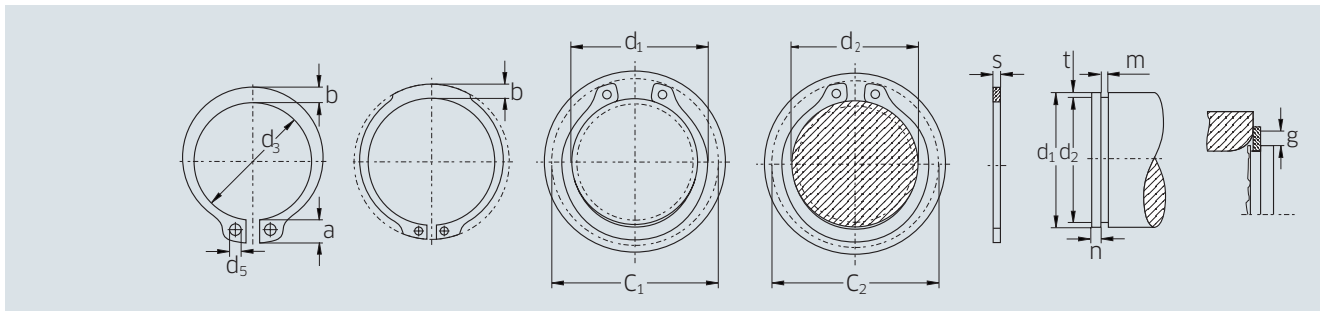
Part number	d_2	Tolerance	m min.	t	n	FN	FR	g	FRg	AN	B	$n_{det.}$ x1000	Article No.
						[kN]	[kN]		[kN]	[mm ²]	[rpm]		
A3	2,8	-0,04	0,50	0,10	0,3	0,1	0,47	0,5	0,27	0,9	2,06	360	
A4	3,8		0,50	0,10	0,3	0,2	0,50	0,5	0,30	1,2	1,93	211	
A5	4,8		0,70	0,10	0,3	0,2	1,00	0,5	0,80	1,5	7,38	154	
A6	5,7		0,80	0,15	0,5	0,4	1,45	0,5	0,90	2,8	10,40	114	
A7	6,7	-0,06	0,90	0,15	0,5	0,5	2,60	0,5	1,40	3,2	14,70	121	
A8	7,6		0,90	0,20	0,6	0,8	3,00	0,5	2,00	4,9	14,20	96	
A9	8,6		1,10	0,20	0,6	0,9	3,50	0,5	2,40	5,5	30,00	85	
A10	9,6	-0,11	1,10	0,20	0,6	1,0	4,00	1,0	2,40	6,2	28,20	84	
A11	10,5		1,10	0,25	0,8	1,4	4,50	1,0	2,40	8,4	26,10	70	
A12	11,5		1,10	0,25	0,8	1,5	5,00	1,0	2,40	9,2	24,00	75	
A13	12,4		1,10	0,30	0,9	2,0	5,80	1,0	2,40	11,9	23,20	66	
A14	13,4		1,10	0,30	0,9	2,1	6,40	1,0	2,40	12,9	22,90	58	
A15	14,3		1,10	0,35	1,1	2,6	6,90	1,0	2,40	16,1	21,60	50	
A16	15,2		1,10	0,40	1,2	3,2	7,40	1,0	2,40	19,6	21,00	45	
A17	16,2		1,10	0,40	1,2	3,4	8,00	1,0	2,40	20,8	21,60	41	
A18	17,0		1,30	0,50	1,5	4,5	17,00	1,5	3,75	27,5	37,10	39	
A19	18,0		1,30	0,50	1,5	4,8	17,00	1,5	3,80	29,1	36,40	35	
A20	19,0	-0,13	1,30	0,50	1,5	5,0	17,10	1,5	3,85	30,6	36,30	32	
A21	20,0		1,30	0,50	1,5	5,3	16,80	1,5	3,75	32,2	35,40	29	
A22	21,0		1,30	0,50	1,5	5,6	16,90	1,5	3,80	33,8	35,40	27	
A23	22,0	-0,15	1,30	0,50	1,5	5,9	16,60	1,5	3,80	35,4	34,70	25	
A24	22,9	-0,21	1,30	0,55	1,7	6,7	16,10	1,5	3,65	40,5	33,40	27	
A25	23,9		1,30	0,55	1,7	7,0	16,20	1,5	3,70	42,3	33,40	25	
A26	24,9		1,30	0,55	1,7	7,3	16,10	1,5	3,70	44,0	32,90	24	
A27	25,6		1,30	0,70	2,1	9,6	16,40	1,5	3,80	57,8	33,40	22	
A28	26,6		1,60	0,70	2,1	10,0	32,10	1,5	7,50	60,0	65,00	21	
A29	27,6		1,60	0,70	2,1	10,3	31,80	1,5	7,45	62,0	64,00	20	
A30	28,6		1,60	0,70	2,1	10,7	32,10	1,5	7,65	64,0	64,20	19	
A31	29,3		1,60	0,85	2,6	13,4	31,50	2,0	5,60	81,0	62,80	18	
A32	30,3	-0,25	1,60	0,85	2,6	13,8	31,20	2,0	5,55	83,0	61,80	17	
A33	31,3		1,60	0,85	2,6	14,3	31,60	2,0	5,65	86,0	62,20	17	
A34	32,3		1,60	0,85	2,6	14,7	31,30	2,0	5,60	88,0	61,30	16	
A35	33,0		1,60	1,00	3,0	17,8	30,80	2,0	5,55	107,0	60,10	16	
A36	34,0		1,85	1,00	3,0	18,3	49,40	2,0	9,00	110,0	95,80	15	
A37	35,0		1,85	1,00	3,0	18,8	50,00	2,0	9,15	113,0	96,40	14	

Rings for shafts

DIN 471/D1400/A



d_1	Part number	s	Tolerance	d_3	Tolerance	a max.	b ≈	d_5 min.	C_1	C_2	Weight [kg/1000]
38	A38	1,75	- 0,06	35,2	+0,25	5,8	4,2	2,5	50,2	47,6	5,620
39	A39	1,75		36,0	- 0,50	5,9	4,3	2,5	51,4	48,5	5,850
40	A40	1,75		36,5		6,0	4,4	2,5	52,6	49,5	6,030
41	A41	1,75		37,5	+0,39	6,2	4,5	2,5	54,0	51,5	6,215
42	A42	1,75		38,5	- 0,90	6,5	4,5	2,5	55,7	52,5	6,500
44	A44	1,75		40,5		6,6	4,6	2,5	57,9	55,4	7,000
45	A45	1,75		41,5		6,7	4,7	2,5	59,1	55,9	7,500
46	A46	1,75		42,5		6,7	4,8	2,5	60,1	56,9	7,600
47	A47	1,75		43,5		6,8	4,9	2,5	61,3	58,1	7,500
48	A48	1,75		44,5		6,9	5,0	2,5	62,5	59,3	7,900
50	A50	2,00	- 0,07	45,8		6,9	5,1	2,5	64,5	60,8	10,20
52	A52	2,00		47,8		7,0	5,2	2,5	66,7	63,0	11,10
54	A54	2,00		49,8		7,1	5,3	2,5	69,0	65,2	11,30
55	A55	2,00		50,8	+0,46	7,2	5,4	2,5	70,2	66,4	11,40
56	A56	2,00		51,8	- 1,10	7,3	5,5	2,5	71,6	67,6	11,80
57	A57	2,00		52,8		7,3	5,5	2,5	72,3	69,3	12,20
58	A58	2,00		53,8		7,3	5,6	2,5	73,6	69,6	12,60
60	A60	2,00		55,8		7,4	5,8	2,5	75,6	71,8	12,90
62	A62	2,00		57,8		7,5	6,0	2,5	77,8	74,0	14,30
63	A63	2,00		58,8		7,6	6,2	2,5	79,0	75,2	15,90
65	A65	2,50		60,8		7,8	6,3	3,0	81,4	77,6	18,20
67	A67	2,50		62,5		7,9	6,4	3,0	83,6	79,8	20,30
68	A68	2,50		63,5		8,0	6,5	3,0	84,4	81,0	21,80
70	A70	2,50		65,5		8,1	6,6	3,0	87,0	83,2	22,00
72	A72	2,50		67,5		8,2	6,8	3,0	89,2	85,4	22,50
75	A75	2,50		70,5		8,4	7,0	3,0	92,7	88,8	24,60
77	A77	2,50		72,5		8,5	7,2	3,0	94,9	91,0	25,70
78	A78	2,50		73,5		8,6	7,3	3,0	96,1	92,2	26,20
80	A80	2,50		74,5		8,6	7,4	3,0	98,1	93,7	27,30
82	A82	2,50		76,5		8,7	7,6	3,0	100,3	95,9	31,20
85	A85	3,00	- 0,08	79,5		8,7	7,8	3,5	103,3	98,9	36,40
87	A87	3,00		81,5		8,8	7,9	3,5	105,5	100,9	39,80
88	A88	3,00		82,5	+0,54	8,8	8,0	3,5	106,5	102,0	41,20
90	A90	3,00		84,5	- 1,30	8,8	8,2	3,5	108,5	104,0	44,50
92	A92	3,00		86,5		9,0	8,4	3,5	110,9	107,4	46,00

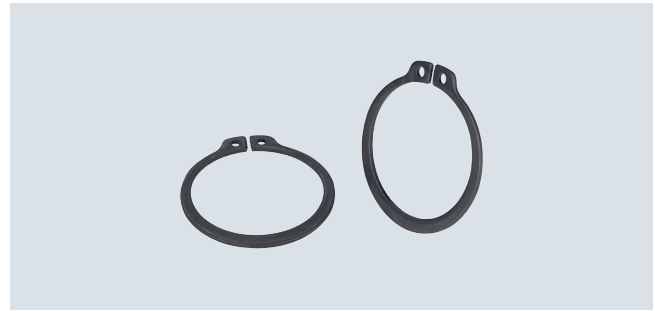


Data

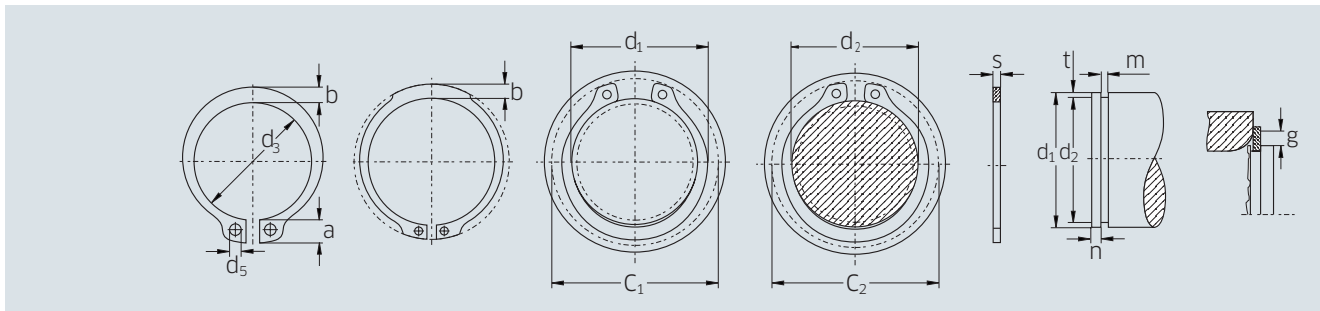
Part number	d ₂	Tolerance	m min.	t	n	FN	FR	g	FRg	AN	B	°det.	Article No.
						[kN]	[kN]		[kN]			[mm ²]	
A38	36,0	- 0,25	1,85	1,00	3,0	19,3	49,5	2,0	9,10	116	95,0	14	
A39	37,0		1,85	1,00	3,0	19,9	49,8	2,0	9,25	119	95,2	15	
A40	37,5		1,85	1,25	3,8	25,3	51,0	2,0	9,50	152	97,0	14	
A41	38,5		1,85	1,25	3,8	26,0	50,1	2,0	9,40	156	94,5	14	
A42	39,5		1,85	1,25	3,8	26,7	50,0	2,0	9,45	160	93,7	13	
A44	41,5		1,85	1,25	3,8	28,0	48,5	2,0	9,20	168	90,7	12	
A45	42,5		1,85	1,25	3,8	28,6	49,0	2,0	9,35	172	91,0	11	
A46	43,5		1,85	1,25	3,8	29,4	48,9	2,0	9,40	177	90,2	11	
A47	44,5		1,85	1,25	3,8	30,0	49,5	2,0	9,55	180	90,7	11	
A48	45,5		1,85	1,25	3,8	30,7	49,4	2,0	9,55	184	90,0	10	
A50	47,0		2,15	1,50	4,5	38,0	73,3	2,0	14,40	228	133,0	11	
A52	49,0		2,15	1,50	4,5	39,7	73,1	2,5	11,50	238	133,0	10	
A54	51,0	- 0,30	2,15	1,50	4,5	41,2	71,2	2,5	11,30	247	129,0	9	
A55	52,0		2,15	1,50	4,5	42,0	71,4	2,5	11,40	252	130,0	9	
A56	53,0		2,15	1,50	4,5	42,8	70,8	2,5	11,30	257	129,0	9	
A57	54,0		2,15	1,50	4,5	43,7	70,9	2,5	11,40	262	128,0	8	
A58	55,0		2,15	1,50	4,5	44,3	71,1	2,5	11,50	266	129,0	8	
A60	57,0		2,15	1,50	4,5	46,0	69,2	2,5	11,30	276	126,0	8	
A62	59,0		2,15	1,50	4,5	47,5	69,3	2,5	11,40	285	126,0	7	
A63	60,0		2,15	1,50	4,5	48,3	70,2	2,5	11,60	290	126,0	7	
A65	62,0		2,65	1,50	4,5	49,8	135,0	2,5	22,70	299	245,0	7	
A67	64,0		2,65	1,50	4,5	51,3	136,0	2,5	23,00	308	245,0	7	
A68	65,0		2,65	1,50	4,5	52,2	135,0	2,5	23,10	313	244,0	7	
A70	67,0		2,65	1,50	4,5	53,8	134,0	2,5	23,00	323	241,0	7	
A72	69,0		2,65	1,50	4,5	55,3	131,0	2,5	22,80	332	236,0	6	
A75	72,0		2,65	1,50	4,5	57,6	130,0	2,5	22,80	346	234,0	6	
A77	74,0		2,65	1,50	4,5	59,3	131,0	3,0	19,70	356	238,0	6	
A78	75,0		2,65	1,50	4,5	60,0	131,0	3,0	19,70	360	239,0	5	
A80	76,5		2,65	1,75	5,3	71,6	128,0	3,0	19,50	430	236,0	6	
A82	78,5		2,65	1,75	5,3	73,5	128,0	3,0	19,60	441	237,0	6	
A85	81,5	- 0,35	3,15	1,75	5,3	76,2	215,0	3,0	33,40	457	405,0	6	
A87	83,5		3,15	1,75	5,3	78,2	222,0	3,0	34,80	469	405,0	5	
A88	84,5		3,15	1,75	5,3	79,0	221,0	3,0	34,80	474	406,0	5	
A90	86,5		3,15	1,75	5,3	80,0	217,0	3,0	34,40	485	401,0	5	
A92	88,5		3,15	1,75	5,3	82,0	217,0	3,5	29,60	496	404,0	5	

Rings for shafts

DIN 471/D1400/A



d_1	Part number	s	Tolerance	d_3	Tolerance	a max.	b ≈	d_5 min.	C_1	C_2	Weight [kg/1000]
95	A95	3,00	- 0,08	89,5	+0,54	9,4	8,6	3,5	114,8	111,0	49,0
97	A97	3,00		91,5	- 1,30	9,4	8,8	3,5	116,7	113,2	50,2
98	A98	3,00		91,5		9,4	8,8	3,5	118,6	114,0	50,2
100	A100	3,00		94,5		9,6	9,0	3,5	120,2	116,0	53,7
102	A102	4,00	- 0,10	95,0		9,7	9,2	3,5	122,4	118,0	78,0
105	A105	4,00		98,0		9,9	9,3	3,5	126,2	122,0	80,0
107	A107	4,00		100,0		10,0	9,5	3,5	128,0	124,0	81,0
108	A107	4,00		100,0		10,0	9,5	3,5	129,0	124,0	81,0
110	A110	4,00		103,0		10,1	9,6	3,5	131,2	127,0	82,0
112	A112	4,00		105,0		10,3	9,7	3,5	133,6	129,6	83,0
115	A115	4,00		108,0	+0,63	10,6	9,8	3,5	137,3	133,0	84,0
117	A117	4,00		110,0	- 1,50	10,8	10,0	3,5	139,7	135,7	85,0
118	A117	4,00		110,0		10,8	10,0	3,5	140,7	136,7	85,0
120	A120	4,00		113,0		11,0	10,2	3,5	143,1	138,0	86,0
122	A122	4,00		115,0		11,2	10,3	4,0	145,5	141,5	88,0
125	A125	4,00		118,0		11,4	10,4	4,0	149,0	144,0	90,0
127	A127	4,00		120,0		11,4	10,5	4,0	150,9	146,8	95,0
128	A128	4,00		120,0		11,4	10,5	4,0	151,9	147,9	95,0
130	A130	4,00		123,0		11,6	10,7	4,0	154,4	150,0	100,0
132	A132	4,00		125,0		11,7	10,8	4,0	156,6	152,6	103,0
135	A135	4,00		128,0		11,8	11,0	4,0	159,8	155,0	104,0
137	A137	4,00		130,0		11,9	11,0	4,0	162,0	158,0	107,0
138	A137	4,00		130,0		11,9	11,0	4,0	163,0	159,0	107,0
140	A140	4,00		133,0		12,0	11,2	4,0	165,2	160,0	110,0
142	A142	4,00		135,0		12,1	11,3	4,0	167,4	163,4	112,0
145	A145	4,00		138,0		12,2	11,5	4,0	170,6	166,0	115,0
147	A147	4,00		140,0		12,3	11,6	4,0	172,8	168,8	116,0
148	A147	4,00		140,0		12,3	11,6	4,0	173,8	169,8	116,0
150	A150	4,00		142,0		13,0	11,8	4,0	177,3	171,0	120,0
152	A152	4,00		143,0		13,0	11,9	4,0	179,3	174,3	128,0
155	A155	4,00		146,0		13,0	12,0	4,0	182,3	176,0	135,0
157	A157	4,00		148,0		13,1	12,0	4,0	184,5	179,5	140,0
158	A157	4,00		148,0		13,1	12,0	4,0	185,5	180,5	140,0
160	A160	4,00		151,0		13,3	12,2	4,0	188,0	182,0	150,0
162	A162	4,00		152,5		13,3	12,3	4,0	189,9	184,9	155,0

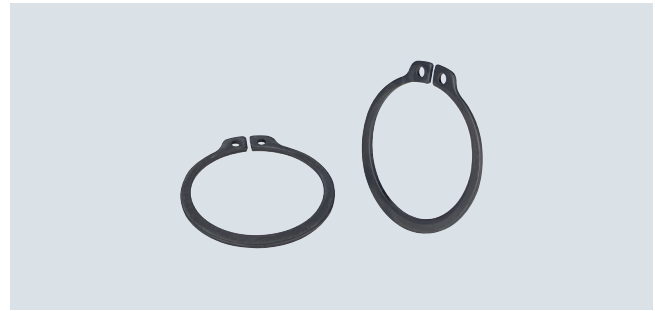


Data

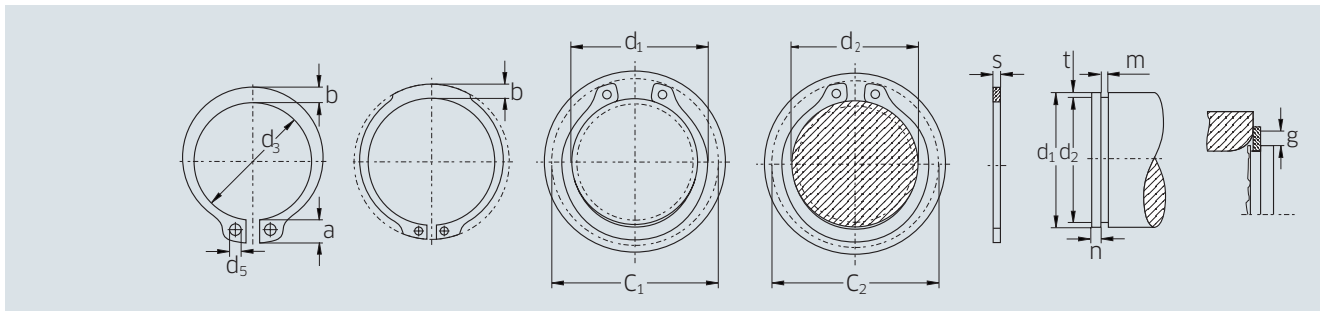
Part number	d ₂	Tolerance	m min.	t	n	FN	FR	g	FRg	AN	B	rdet. x1000	Article No.
						[kN]	[kN]		[kN]	[mm ²]	[rpm]		
A95	91,5	- 0,35	3,15	1,75	5,3	85,0	212	3,5	29,20	513	400	5	
A97	93,5		3,15	1,75	5,3	87,0	211	3,5	29,40	524	401	4	
A98	94,5		3,15	1,75	5,3	88,0	208	3,5	29,00	529	397	4	
A100	96,5		3,15	1,75	5,3	90,0	206	3,5	29,00	540	397	4	
A102	98,0	- 0,54	4,15	2,00	6,0	104,0	482	3,5	68,50	628	935	5	
A105	101,0		4,15	2,00	6,0	107,0	471	3,5	67,70	646	925	5	
A107	103,0		4,15	2,00	6,0	110,0	465	3,5	67,30	660	920	5	
A107	104,0		4,15	2,00	6,0	111,0	459	3,5	66,30	666	912	4	
A110	106,0		4,15	2,00	6,0	113,0	457	3,5	66,90	678	914	4	
A112	108,0		4,15	2,00	6,0	115,0	451	3,5	66,60	690	910	4	
A115	111,0		4,15	2,00	6,0	118,0	438	3,5	65,50	709	894	4	
A117	113,0		4,15	2,00	6,0	120,0	437	3,5	65,60	722	899	4	
A117	114,0		4,15	2,00	6,0	121,0	430	3,5	64,80	728	887	4	
A120	116,0		4,15	2,00	6,0	123,0	424	3,5	64,50	741	882	4	
A122	118,0		4,15	2,00	6,0	125,0	418	4,0	56,60	753	875	4	
A125	121,0	- 0,63	4,15	2,00	6,0	128,0	411	4,0	56,50	772	870	3	
A127	123,0		4,15	2,00	6,0	130,0	407	4,0	56,10	785	868	3	
A128	124,0		4,15	2,00	6,0	131,0	401	4,0	55,60	791	859	3	
A130	126,0		4,15	2,00	6,0	134,0	395	4,0	55,20	804	852	3	
A132	128,0		4,15	2,00	6,0	136,0	396	4,0	55,60	816	859	3	
A135	131,0		4,15	2,00	6,0	139,0	389	4,0	55,40	835	854	3	
A137	133,0		4,15	2,00	6,0	141,0	380	4,0	54,40	848	840	3	
A137	134,0		4,15	2,00	6,0	142,0	381	4,0	54,70	854	845	3	
A140	136,0		4,15	2,00	6,0	144,0	376	4,0	54,40	867	840	3	
A142	138,0		4,15	2,00	6,0	146,0	370	4,0	54,00	880	833	3	
A145	141,0		4,15	2,00	6,0	149,0	367	4,0	53,80	898	833	3	
A147	143,0		4,15	2,00	6,0	151,0	361	4,0	53,50	910	826	3	
A147	144,0		4,15	2,00	6,0	152,0	357	4,0	53,00	916	820	2	
A150	145,0		4,15	2,50	7,5	193,0	357	4,0	53,40	1158	825	2	
A152	147,0		4,15	2,50	7,5	195,0	356	4,0	53,10	1174	822	3	
A155	150,0		4,15	2,50	7,5	199,0	352	4,0	52,60	1198	814	3	
A157	152,0		4,15	2,50	7,5	202,0	352	4,0	52,50	1212	814	3	
A157	153,0		4,15	2,50	7,5	203,0	353	4,0	52,70	1221	815	3	
A160	155,0		4,15	2,50	7,5	206,0	349	4,0	52,50	1237	806	3	
A162	157,0		4,15	2,50	7,5	208,0	348	5,0	41,70	1251	804	3	

Rings for shafts

DIN 471/D1400/A



d_1	Part number	s	Tolerance	d_3	Tolerance	a max.	b ≈	d_5 min.	C_1	C_2	Weight [kg/1000]
165	A165	4,00	- 0,10	155,5	+0,63	13,5	12,5	4,0	193,5	187,0	160,0
167	A167	4,00		157,5	- 1,50	13,5	12,9	4,0	195,3	190,3	163,0
168	A167	4,00		157,5		13,5	12,9	4,0	196,3	191,3	163,0
170	A170	4,00		160,5		13,5	12,9	4,0	198,4	192,0	170,0
172	A172	4,00		160,5		13,5	12,9	4,0	200,4	195,3	170,0
175	A175	4,00		165,5		13,5	12,9	4,0	203,4	197,0	180,0
177	A177	4,00		167,5		14,2	13,5	4,0	206,8	202,0	183,0
178	A177	4,00		167,5		14,2	13,5	4,0	207,8	203,0	183,0
180	A180	4,00		170,5		14,2	13,5	4,0	210,0	204,0	190,0
182	A180	4,00		170,5		14,2	13,5	4,0	211,8	207,0	190,0
185	A185	4,00		175,5		14,2	13,5	4,0	215,2	209,0	200,0
187	A187	4,00		177,5		14,2	14,0	4,0	216,8	212,0	203,0
188	A187	4,00		177,5		14,2	14,0	4,0	217,8	213,0	203,0
190	A190	4,00		180,5	+0,72	14,2	14,0	4,0	220,0	214,0	210,0
192	A190	4,00		180,5	- 1,70	14,2	14,0	4,0	221,8	217,0	210,0
195	A195	4,00		185,5		14,2	14,0	4,0	225,0	219,0	220,0
197	A197	4,00		187,5		14,2	14,0	4,0	226,8	222,0	223,0
198	A197	4,00		187,5		14,2	14,0	4,0	227,8	223,0	223,0
200	A200	4,00		190,5		14,2	14,0	4,0	230,0	224,0	230,0
202	A202	5,00	- 0,12	190,0		14,2	14,0	4,0	231,8	226,0	235,0
205	A205	5,00		193,0		14,2	14,0	4,0	235,0	228,0	243,0
207	A205	5,00		193,0		14,2	14,0	4,0	236,8	231,0	243,0
208	A205	5,00		193,0		14,2	14,0	4,0	237,8	232,0	243,0
210	A210	5,00		198,0		14,2	14,0	4,0	240,0	233,0	248,0
212	A210	5,00		198,0		14,2	14,0	4,0	241,8	236,0	248,0
215	A215	5,00		203,0		14,2	14,0	4,0	244,8	239,0	260,0
217	A215	5,00		203,0		14,2	14,0	4,0	246,8	241,0	260,0
218	A215	5,00		203,0		14,2	14,0	4,0	247,8	242,0	260,0
220	A220	5,00		208,0		14,2	14,0	4,0	250,0	243,0	265,0
222	A220	5,00		208,0		14,2	14,0	4,0	251,8	246,0	265,0
225	A225	5,00		213,0		14,2	14,0	4,0	255,0	249,0	280,0
227	A225	5,00		213,0		14,2	14,0	4,0	257,0	251,0	280,0
228	A225	5,00		213,0		14,2	14,0	4,0	258,0	252,0	280,0
230	A230	5,00		218,0		14,2	14,0	4,0	260,0	253,0	290,0
232	A230	5,00		218,0		14,2	14,0	4,0	262,0	256,0	290,0

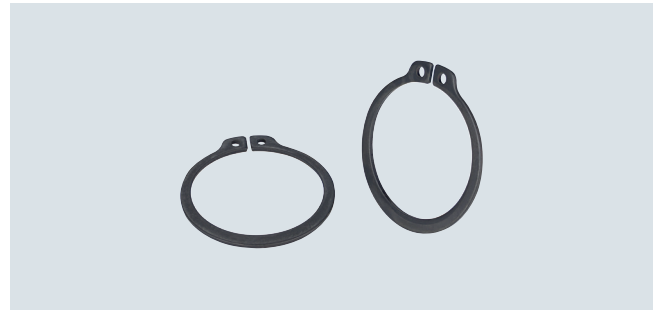


Data

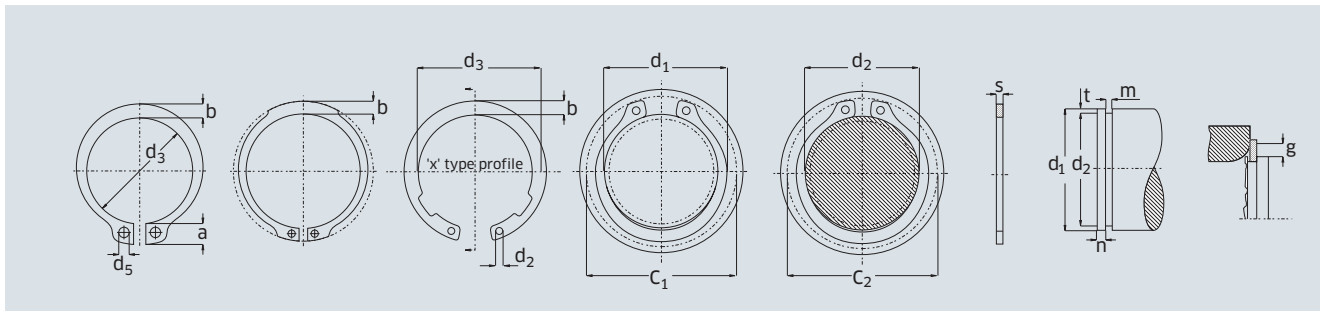
Part number	d ₂	Tolerance	m min.	t	n	FN	FR	g	FRg	AN	B	n ^{det.} x1000	Article No.
						[kN]	[kN]		[kN]	[mm ²]	[rpm]		
A165	160,0	- 0,63	4,15	2,50	7,5	212,0	345	5,0	41,40	1275	797	3	
A167	162,0		4,15	2,50	7,5	215,0	354	5,0	42,50	1291	819	3	
A167	163,0		4,15	2,50	7,5	216,0	353	5,0	42,40	1300	815	2	
A170	165,0		4,15	2,50	7,5	219,0	349	5,0	41,90	1315	806	2	
A172	167,0		4,15	2,50	7,5	221,0	344	5,0	41,30	1330	795	2	
A175	170,0		4,15	2,50	7,5	225,0	340	5,0	40,70	1353	785	2	
A177	172,0		4,15	2,50	7,5	228,0	335	5,0	40,20	1370	774	2	
A177	173,0		4,15	2,50	7,5	229,0	349	5,0	42,00	1378	807	2	
A180	175,0		4,15	2,50	7,5	232,0	345	5,0	41,40	1393	797	2	
A180	177,0		4,15	2,50	7,5	235,0	341	5,0	41,00	1410	789	2	
A185	180,0		4,15	2,50	7,5	238,0	336	5,0	40,40	1432	777	2	
A187	182,0	- 0,72	4,15	2,50	7,5	241,0	338	5,0	40,50	1449	781	2	
A187	183,0		4,15	2,50	7,5	242,0	337	5,0	40,60	1457	779	2	
A190	185,0		4,15	2,50	7,5	245,0	333	5,0	40,00	1471	770	3	
A190	187,0		4,15	2,50	7,5	248,0	330	5,0	39,60	1488	763	3	
A195	190,0		4,15	2,50	7,5	251,0	325	5,0	39,00	1511	751	2	
A197	192,0		4,15	2,50	7,5	254,0	322	5,0	38,60	1528	744	2	
A197	193,0		4,15	2,50	7,5	255,0	322	5,0	38,70	1535	739	2	
A200	195,0		4,15	2,50	7,5	258,0	319	5,0	38,30	1550	731	2	
A202	196,0		5,15	3,00	9,0	312,0	624	6,0	62,50	1875	1430	2	
A205	199,0		5,15	3,00	9,0	317,0	611	6,0	61,30	1905	1401	2	
A205	201,0		5,15	3,00	9,0	320,0	608	6,0	60,90	1921	1392	2	
A205	202,0		5,15	3,00	9,0	321,0	605	6,0	60,50	1930	1385	2	
A210	204,0		5,15	3,00	9,0	325,0	598	6,0	59,90	1951	1370	2	
A210	206,0		5,15	3,00	9,0	328,0	593	6,0	59,50	1969	1359	2	
A215	209,0		5,15	3,00	9,0	332,0	585	6,0	58,50	1997	1340	2	
A215	211,0		5,15	3,00	9,0	336,0	580	6,0	58,10	2018	1330	2	
A215	212,0		5,15	3,00	9,0	337,0	577	6,0	57,80	2024	1322	2	
A220	214,0		5,15	3,00	9,0	340,0	572	6,0	57,30	2045	1311	2	
A220	216,0		5,15	3,00	9,0	343,0	567	6,0	56,80	2062	1300	2	
A225	219,0		5,15	3,00	9,0	349,0	559	6,0	56,00	2095	1282	2	
A225	221,0		5,15	3,00	9,0	351,0	555	6,0	55,50	2110	1271	1	
A225	222,0		5,15	3,00	9,0	353,0	552	6,0	55,40	2120	1265	1	
A230	224,0		5,15	3,00	9,0	356,0	548	6,0	55,00	2140	1257	1	
A230	226,0		5,15	3,00	9,0	359,0	543	6,0	54,50	2155	1243	1	

Rings for shafts

DIN 471/D1400/A



d_1	Part number	s	Tolerance	d_3	Tolerance	a max.	b ≈	d_5 min.	C_1	C_2	Weight [kg/1000]
235	A235	5,00	- 0,12	223,0	+0,72	14,2	14,0	4,0	265,0	259,0	305
237	A235	5,00		223,0	- 1,70	14,2	14,0	4,0	267,0	261,0	305
238	A235	5,00		223,0		14,2	14,0	4,0	268,0	262,0	305
240	A240	5,00		228,0		14,2	14,0	4,0	270,0	263,0	310
242	A240	5,00		228,0		14,2	14,0	4,0	272,0	266,0	310
245	A245	5,00		233,0		14,2	14,0	4,0	275,0	269,0	325
247	A245	5,00		233,0		14,2	14,0	4,0	277,0	271,0	325
248	A245	5,00		233,0		14,2	14,0	4,0	278,0	272,0	325
250	A250	5,00		238,0		14,2	14,0	4,0	280,0	273,0	335
252	A250	5,00		238,0		16,2	16,0	5,0	286,0	278,0	335
255	A255	5,00		240,0		16,2	16,0	5,0	289,0	281,0	348
257	A255	5,00		240,0		16,2	16,0	5,0	291,0	283,0	348
258	A255	5,00		240,0		16,2	16,0	5,0	292,0	284,0	348
260	A260	5,00		245,0		16,2	16,0	5,0	294,0	285,0	355
262	A260	5,00		245,0		16,2	16,0	5,0	296,0	288,0	355
265	A265	5,00		250,0		16,2	16,0	5,0	299,0	291,0	370
267	A265	5,00		250,0		16,2	16,0	5,0	301,0	293,0	370
268	A265	5,00		250,0		16,2	16,0	5,0	302,0	294,0	370
270	A270	5,00		255,0	+0,81	16,2	16,0	5,0	304,0	295,0	375
272	A270	5,00		255,0	- 2,00	16,2	16,0	5,0	306,0	298,0	375
275	A275	5,00		260,0		16,2	16,0	5,0	309,0	301,0	390
277	A275	5,00		260,0		16,2	16,0	5,0	311,0	303,0	390
278	A275	5,00		260,0		16,2	16,0	5,0	312,0	304,0	390
280	A280	5,00		265,0		16,2	16,0	5,0	314,0	305,0	398
282	A280	5,00		265,0		16,2	16,0	5,0	316,0	308,0	398
285	A285	5,00		270,0		16,2	16,0	5,0	319,0	311,0	410
287	A285	5,00		270,0		16,2	16,0	5,0	321,0	313,0	410
288	A285	5,00		270,0		16,2	16,0	5,0	322,0	314,0	410
290	A290	5,00		275,0		16,2	16,0	5,0	324,0	315,0	418
292	A290	5,00		275,0		16,2	16,0	5,0	326,0	318,0	418
295	A295	5,00		280,0		16,2	16,0	5,0	329,0	321,0	430
297	A295	5,00		280,0		16,2	16,0	5,0	331,0	323,0	430
298	A295	5,00		280,0		16,2	16,0	5,0	332,0	324,0	430
300	A300	5,00		285,0		16,2	16,0	5,0	334,0	325,0	440
305	A305	6,00	- 0,15	288,0			20,0	6,0	339,0	329,0	738

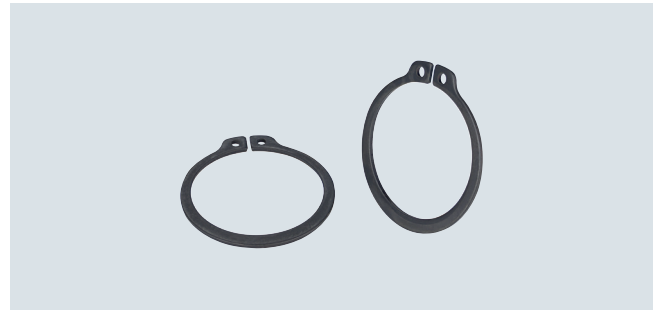


Data

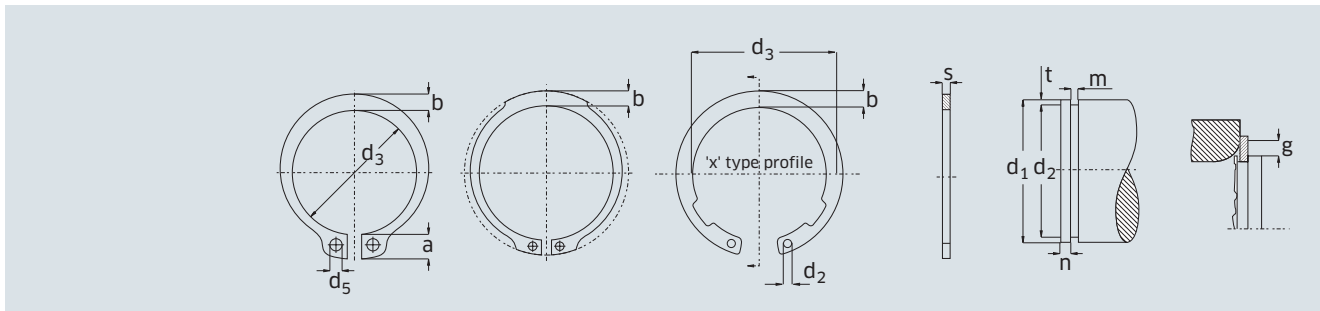
Part number	d ₂	Tolerance	m min.	t	n	FN	FR	g	FRg	AN	B	°det. x1000	Article No.
						[kN]	[kN]		[kN]	[mm ²]	[rpm]		
A235	229	-0,72	5,15	3,00	9,0	364	537	6,0	53,80	2185	1230	1	
A235	231		5,15	3,00	9,0	367	532	6,0	53,40	2202	1220	1	
A235	232		5,15	3,00	9,0	369	530	6,0	53,00	2215	1214	1	
A240	234		5,15	3,00	9,0	372	530	6,0	53,00	2236	1214	1	
A240	236		5,15	3,00	9,0	375	520	6,0	52,20	2250	1193	1	
A245	239		5,15	3,00	9,0	380	515	6,0	51,50	2280	1180	1	
A245	241		5,15	3,00	9,0	383	511	6,0	51,20	2300	1171	1	
A245	242		5,15	3,00	9,0	385	508	6,0	50,90	2310	1164	1	
A250	244		5,15	3,00	9,0	388	504	6,0	50,50	2330	1155	1	
A250	244		5,15	4,00	12,0	519	563	6,0	56,40	3115	1290	1	
A255	247		5,15	4,00	12,0	525	557	6,0	55,70	3150	1276	1	
A255	249		5,15	4,00	12,0	529	551	6,0	55,20	3175	1264	1	
A255	250		5,15	4,00	12,0	531	550	6,0	55,10	3190	1260	1	
A260	252	-0,81	5,15	4,00	12,0	535	540	6,0	54,60	3215	1250	1	
A260	254		5,15	4,00	12,0	540	542	6,0	54,40	3240	1242	1	
A265	257		5,15	4,00	12,0	546	536	6,0	53,70	3280	1228	1	
A265	259		5,15	4,00	12,0	550	532	6,0	53,30	3300	1219	1	
A265	260		5,15	4,00	12,0	553	529	6,0	53,00	3320	1213	1	
A270	262		5,15	4,00	12,0	556	525	6,0	52,50	3340	1203	1	
A270	264		5,15	4,00	12,0	560	522	6,0	52,00	3365	1196	1	
A275	267		5,15	4,00	12,0	566	516	6,0	51,00	3400	1183	1	
A275	269		5,15	4,00	12,0	571	513	6,0	51,00	3430	1175	1	
A275	270		5,15	4,00	12,0	574	510	6,0	51,00	3445	1170		
A280	272		5,15	4,00	12,0	576	508	6,0	50,00	3460	1164	1	
A280	274		5,15	4,00	12,0	580	503	6,0	50,00	3485	1152	1	
A285	277		5,15	4,00	12,0	587	499	6,0	50,00	3525	1143	1	
A287	279		5,15	4,00	12,0	591	494	6,0	49,00	3550	1133	1	
A288	280		5,15	4,00	12,0	594	493	6,0	49,00	3565	1131	1	
A290	282		5,15	4,00	12,0	599	490	6,0	49,00	3595	1124	1	
A292	284		5,15	4,00	12,0	603	487	6,0	48,00	3620	1116	1	
A295	287		5,15	4,00	12,0	609	481	6,0	48,00	3655	1103	1	
A297	289		5,15	4,00	12,0	613	479	6,0	48,00	3680	1098	1	
A298	290		5,15	4,00	12,0	615	476	6,0	47,00	3695	1092	1	
A300	292		5,15	4,00	12,0	619	475	6,0	47,00	3715	1088	1	
A305	295		6,20	5,00	15,0	785	1036	7,0	89,00	4712	2374	1	

Rings for shafts

D1400/A



d_1	Part number	s	Tolerance	d_3	Tolerance	a max.	b ≈	d_5 min.	C_1	C_2	Weight [kg/1000]
310	A310	6,00	- 0,15	293,0	+0,81		20,0	6,0			750
315	A315	6,00		298,0	- 2,00		20,0	6,0			760
320	A320	6,00		303,0			20,0	6,0			770
325	A325	6,00		308,0			20,0	6,0			787
330	A330	6,00		313,0			20,0	6,0			800
335	A335	6,00		318,0	+0,90		20,0	6,0			826
340	A340	6,00		323,0	- 2,00		20,0	6,0			840
345	A345	6,00		328,0			20,0	6,0			845
350	A350	6,00		333,0			20,0	6,0			850
355	A355	6,00		338,0			20,0	6,0			865
360	A360	6,00		343,0			20,0	6,0			880
365	A365	6,00		348,0			20,0	6,0			885
370	A370	6,00		353,0			20,0	6,0			890
375	A375	6,00		358,0			20,0	6,0			910
380	A380	6,00		363,0			20,0	6,0			930
385	A385	6,00		368,0			20,0	6,0			940
390	A390	6,00		373,0			20,0	6,0			950
395	A395	6,00		378,0			20,0	6,0			990
400	A400	6,00		383,0			20,0	6,0			1040
410	A410	7,00		390,0			26,0	6,0			1320
420	A420	7,00		400,0			26,0	6,0			1360
430	A430	7,00		410,0	+1,00		26,0	6,0			1390
440	A440	7,00		420,0	- 2,00		26,0	6,0			1420
450	A450	7,00		430,0			26,0	6,0			1450
460	A460	7,00		440,0			26,0	6,0			1520
470	A470	7,00	- 0,15	450,0			26,0	6,0			1590
480	A480	7,00		460,0			26,0	6,0			1660
490	A490	7,00		470,0			26,0	6,0			1725
500	A500	7,00		480,0			26,0	6,0			1790
510	A510	8,00		485,0			26,0	6,0			2300
520	A520	8,00		495,0			26,0	6,0			2350
530	A530	8,00		505,0	+1,50		26,0	6,0			2400
540	A540	8,00		515,0	- 3,00		26,0	6,0			2445
550	A550	8,00		525,0			26,0	6,0			2490
560	A560	8,00		535,0			26,0	6,0			2580

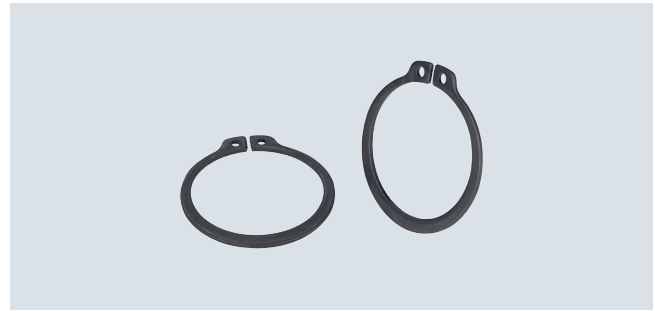


Data

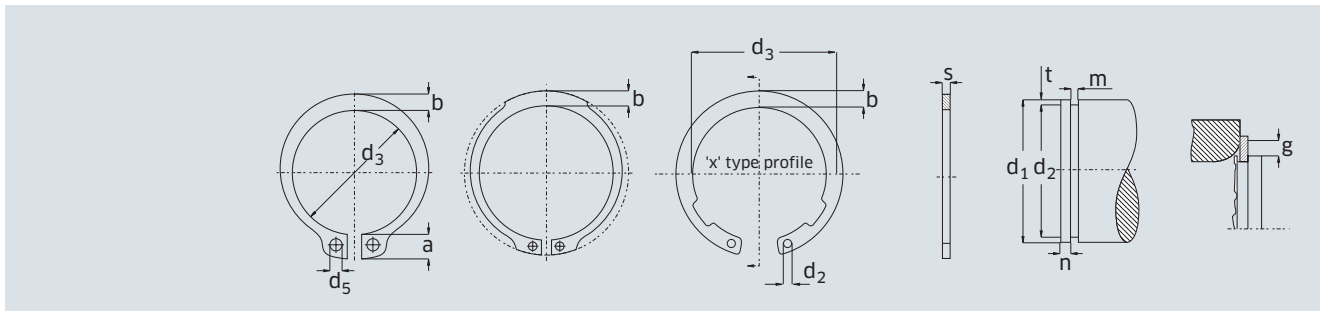
Part number	d ₂	Tolerance	m min.	t	n	FN	FR	g	FRg	AN	B	rdet. x1000	Article No.
						[kN]	[kN]		[kN]	[mm ²]	[rpm]		
A310	300	- 0,81	6,20	5,00	15,0	796	1016	7,0	87,00	4780	2329	1,0	
A315	305		6,20	5,00	15,0	811	1007	7,0	86,00	4869	2307	1,0	
A320	310	- 0,89	6,20	5,00	15,0	825	988	7,0	85,00	4950	2264	1,0	
A325	315		6,20	5,00	15,0	837	975	7,0	83,00	5027	2233	1,0	
A330	320		6,20	5,00	15,0	850	958	7,0	82,00	5100	2195	1,0	
A335	325		6,20	5,00	15,0	864	945	7,0	81,00	5184	2166	1,0	
A340	330		6,20	5,00	15,0	876	932	7,0	80,00	5260	2136	1,0	
A345	335		6,20	5,00	15,0	890	917	7,0	79,00	5341	2102	1,0	
A350	340		6,20	5,00	15,0	903	906	7,0	77,00	5420	2074	1,0	
A355	345		6,20	5,00	15,0	916	894	7,0	76,00	5498	2048	1,0	
A360	350		6,20	5,00	15,0	928	880	7,0	75,00	5570	2017	1,0	
A365	355		6,20	5,00	15,0	942	868	7,0	74,00	5655	1990	1,0	
A370	360		6,20	5,00	15,0	955	856	7,0	73,00	5730	1962	1,0	
A375	365		6,20	5,00	15,0	968	847	7,0	72,00	5812	1943	1,0	
A380	370		6,20	5,00	15,0	980	833	7,0	71,00	5880	1909	1,0	
A385	375		6,20	5,00	15,0	994	823	7,0	70,00	5969	1886	1,0	
A390	380		6,20	5,00	15,0	1008	814	7,0	70,00	6050	1865	1,0	
A395	385		6,20	5,00	15,0	1021	803	7,0	69,00	6126	1841	1,0	
A400	390		6,20	5,00	15,0	1033	793	7,0	69,00	6200	1817	1,0	
A410	398		7,20	6,00	18,0	1269	1616	7,0	139,00	7615	3701	1,0	
A420	408	- 1,00	7,20	6,00	18,0	1300	1569	7,0	135,00	7803	3595	1,0	
A430	418		7,20	6,00	18,0	1332	1540	7,0	132,00	7992	3527	1,0	
A440	428		7,20	6,00	18,0	1363	1500	7,0	129,00	8181	3448	1,0	
A450	438		7,20	6,00	18,0	1393	1472	7,0	126,00	8360	3373	1,0	
A460	448		7,20	6,00	18,0	1426	1443	7,0	124,00	8557	3305	1,0	
A470	458		7,20	6,00	18,0	1457	1413	7,0	121,00	8746	3237	1,0	
A480	468		7,20	6,00	18,0	1489	1383	7,0	119,00	8935	3169	0,5	
A490	478		7,20	6,00	18,0	1520	1355	7,0	116,00	9123	3105	0,5	
A500	488		7,20	6,00	18,0	1550	1329	7,0	114,00	9300	3044	0,5	
A510	496		8,20	7,00	21,0	1843	1952	7,0	167,00	11061	4471	1,0	
A520	506		8,20	7,00	21,0	1880	1910	7,0	164,00	11282	4387	0,5	
A530	516		8,20	7,00	21,0	1916	1878	7,0	161,00	11501	4302	0,5	
A540	526		8,20	7,00	21,0	1953	1846	7,0	158,00	11721	4229	0,4	
A550	536		8,20	7,00	21,0	1986	1812	7,0	155,00	11920	4150	0,4	
A560	546		8,20	7,00	21,0	2026	1777	7,0	153,00	12161	4071	0,4	

Rings for shafts

D1400/A



d_1	Part number	s	Tolerance	d_3	Tolerance	a max.	b ≈	d_5 min.	C_1	C_2	Weight [kg/1000]
570	A570	8,00	- 0,15	545,0	+1,50		26,0	6,0			2670
580	A580	8,00		555,0	- 3,00		26,0	6,0			2760
590	A590	8,00		565,0			26,0	6,0			2840
600	A600	8,00		575,0			26,0	6,0			2920
650	A650	9,00	- 0,20	620,0			34,0	6,0			3770
700	A700	9,00		670,0			34,0	6,0			4070
750	A750	9,00		715,0			34,0	9,0			4640
800	A800	9,00		765,0			34,0	9,0			5330
850	A850	9,00		810,0	+2,00		34,0	9,0			6030
900	A900	9,00		860,0	- 4,00		34,0	9,0			6640
950	A950	9,00		900,00			34,0	9,0			7260
1000	A1000	9,00		950,00			34,0	9,0			8130

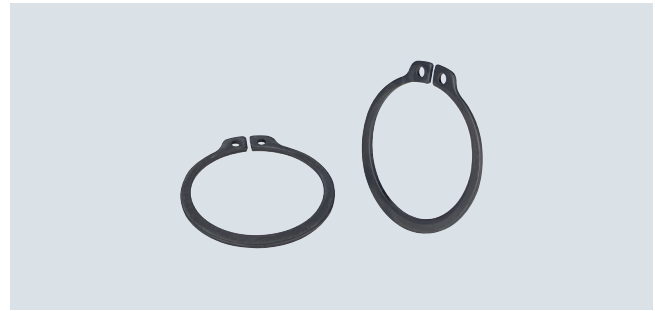


Data

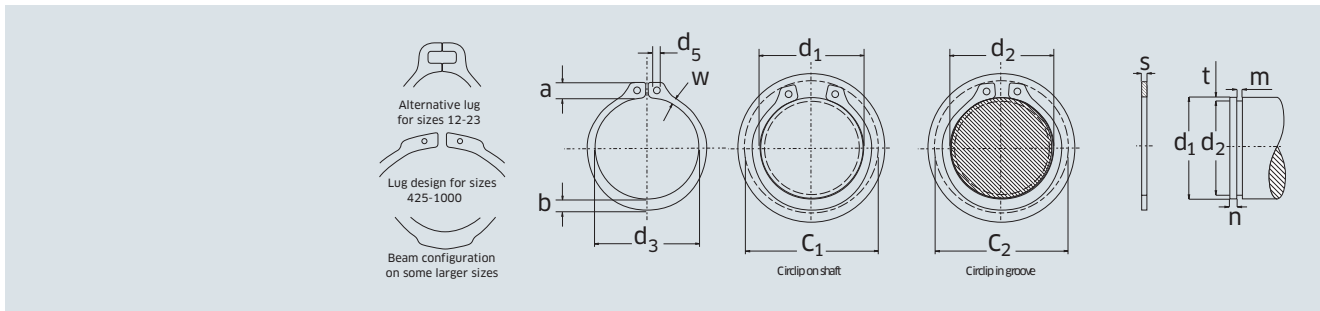
Part number	d_2	Tolerance	m min.	t	n	FN	FR	g	FRg	AN	B	$n_{det.}$ x1000	Article No.
						[kN]	[kN]		[kN]	[mm ²]	[rpm]		
A570	556	- 1,00	8,20	7,00	21,0	2063	1750	7,0	150,00	12381	4009	0,40	
A580	566		8,20	7,00	21,0	2100	1718	7,0	147,00	12601	3936	0,40	
A590	576		8,20	7,00	21,0	2136	1689	7,0	145,00	12821	3869	0,40	
A600	586		8,20	7,00	21,0	2170	1600	7,0	143,00	13030	3807	0,30	
A650	634		9,30	8,00	24,0	2640	2810	7,0	242,00	15860	6447	0,40	
A700	684		9,30	8,00	24,0	2890	2615	7,0	225,00	17350	5990	0,30	
A750	732		9,30	9,00	27,0	3490	2450	7,0	207,00	20950	5606	0,19	
A800	782		9,30	9,00	27,0	3730	2299	7,0	195,00	22380	5261	0,30	
A850	830		9,30	10,00	30,0	4400	2166	7,0	183,00	26400	4956	0,30	
A900	880		9,30	10,00	30,0	4650	2047	7,0	173,00	27950	4684	0,20	
A950	928		9,30	11,00	33,0	5400	1945	7,0	165,00	32450	4451	0,20	
A1000	978		9,30	11,00	33,0	5700	1851	7,0	157,00	34200	4235	0,20	

Rings for shafts

N1400/NA



d_1	Part number	s	Tolerance	d_3	Tolerance	a max.	b ≈	w ~	d_5 min.	C_1	C_2	Weight [lbs/1000]
0,125	NA12	0,010	±0,001	0,112	+0,002	0,048	0,018	0,011	0,024	0,22	0,214	0,018
0,156	NA15	0,010		0,142	-0,004	0,056	0,026	0,016	0,024	0,27	0,260	0,037
0,188	NA18	0,015	±0,002	0,168		0,052	0,025	0,016	0,023	0,30	0,286	0,059
0,197	NA19	0,015		0,179		0,058	0,026	0,016	0,024	0,32	0,307	0,063
0,219	NA21	0,015		0,196		0,058	0,028	0,017	0,024	0,34	0,324	0,074
0,236	NA23	0,015		0,215		0,058	0,030	0,019	0,024	0,36	0,341	0,086
0,250	NA25	0,025		0,225		0,083	0,035	0,025	0,039	0,45	0,430	0,210
0,276	NA27	0,025		0,250	+0,002	0,084	0,035	0,024	0,039	0,48	0,460	0,250
0,281	NA28	0,025		0,256	-0,005	0,083	0,038	0,025	0,039	0,49	0,470	0,240
0,312	NA31	0,025		0,281		0,090	0,040	0,026	0,039	0,54	0,520	0,270
0,344	NA34	0,025		0,309		0,090	0,042	0,026	0,039	0,57	0,550	0,310
0,354	NA35	0,025		0,320		0,090	0,046	0,029	0,039	0,59	0,570	0,350
0,375	NA37	0,025		0,338		0,091	0,050	0,030	0,039	0,61	0,590	0,390
0,394	NA39	0,025		0,354		0,090	0,052	0,031	0,039	0,62	0,600	0,420
0,406	NA40	0,025		0,366		0,090	0,054	0,033	0,039	0,63	0,610	0,430
0,438	NA43	0,025		0,395		0,091	0,055	0,033	0,039	0,66	0,640	0,500
0,469	NA46	0,025		0,428		0,091	0,060	0,035	0,039	0,68	0,660	0,540
0,500	NA50	0,035		0,461		0,111	0,065	0,040	0,045	0,77	0,740	0,910
0,551	NA55	0,035		0,509	+0,005	0,111	0,053	0,036	0,045	0,81	0,780	0,900
0,561	NA56	0,035		0,521	-0,010	0,111	0,072	0,041	0,045	0,82	0,790	1,100
0,594	NA59	0,035		0,550		0,112	0,076	0,043	0,045	0,86	0,830	1,200
0,625	NA62	0,035		0,579		0,113	0,080	0,045	0,045	0,90	0,870	1,300
0,672	NA66	0,035		0,621		0,113	0,032	0,043	0,045	0,93	0,880	1,400
0,688	NA68	0,042		0,635		0,140	0,084	0,048	0,050	1,01	0,970	1,800
0,750	NA75	0,042		0,693		0,140	0,092	0,051	0,050	1,09	1,050	2,100
0,781	NA78	0,042		0,722		0,140	0,094	0,052	0,050	1,12	1,080	2,200
0,812	NA81	0,042		0,751		0,140	0,096	0,054	0,050	1,15	1,100	2,500
0,875	NA87	0,042		0,810		0,141	0,104	0,057	0,050	1,21	1,160	2,800
0,938	NA93	0,042		0,867		0,170	0,110	0,063	0,076	1,34	1,290	3,100
0,984	NA98	0,042		0,910		0,171	0,114	0,065	0,076	1,39	1,340	3,500
1,000	NA100	0,042		0,925		0,171	0,116	0,065	0,076	1,41	1,350	3,600
1,023	NA102	0,042		0,946		0,172	0,118	0,066	0,076	1,43	1,370	3,900
1,062	NA106	0,050		0,982	+0,010	0,185	0,122	0,069	0,076	1,50	1,440	4,800
1,125	NA112	0,050		1,041	-0,015	0,186	0,128	0,071	0,076	1,55	1,490	5,100
1,188	NA118	0,050		1,098		0,186	0,132	0,072	0,076	1,61	1,540	5,600

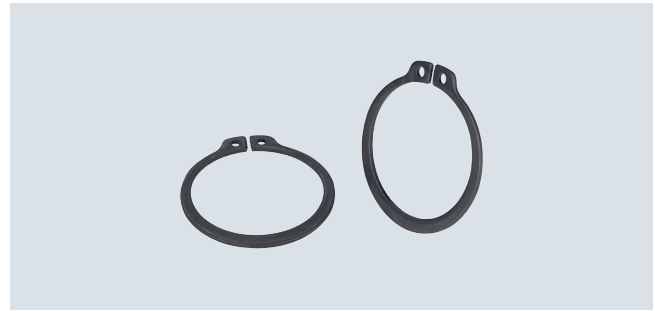


Part number	d ₂	Tolerance	m	Tolerance	n min.	Data		
						Tc (lb.f)	Tg (lb.ft)	Article No.
NA12	0,117	±,0015	0,012	+,002	0,014	110	28	
NA15	0,146		0,012	-,000	0,017	130	44	
NA18	0,175		0,018		0,022	240	69	
NA19	0,185		0,018		0,020	250	67	
NA21	0,205		0,018		0,023	280	87	
NA23	0,222		0,018		0,023	310	93	
NA25	0,230		0,029	+,003	0,032	880	141	
NA27	0,255	±,002	0,029	-,000	0,035	980	164	
NA28	0,261		0,029		0,033	990	160	
NA31	0,290		0,029		0,036	1100	194	
NA34	0,321		0,029		0,038	1210	224	
NA35	0,330		0,029		0,038	1250	240	
NA37	0,352		0,029		0,038	1320	244	
NA39	0,369		0,029		0,041	1390	278	
NA40	0,382		0,029		0,039	1430	275	
NA43	0,412		0,029		0,042	1550	322	
NA46	0,443		0,029		0,042	1660	345	
NA50	0,468		0,039		0,051	2470	452	
NA55	0,519		0,039		0,051	2730	500	
NA56	0,530		0,039		0,051	2780	508	
NA59	0,559	±,003	0,039		0,057	2940	588	
NA62	0,588		0,039		0,060	3090	654	
NA66	0,631		0,039		0,066	3320	780	
NA68	0,646		0,046		0,068	4080	817	
NA75	0,704		0,046		0,074	4450	875	
NA78	0,733		0,046		0,076	4600	1060	
NA81	0,762		0,046		0,080	4800	1150	
NA87	0,821		0,046		0,085	5200	1340	
NA93	0,882		0,046		0,088	5600	1480	
NA98	0,926		0,046		0,091	5800	1610	
NA100	0,940		0,046		0,094	5900	1700	
NA102	0,961		0,046		0,097	6100	1790	
NA106	0,998	±,004	0,056	+,004	0,102	7500	1920	
NA112	1,059		0,056	-,000	0,105	7900	2100	
NA118	1,118		0,056		0,111	8400	2350	

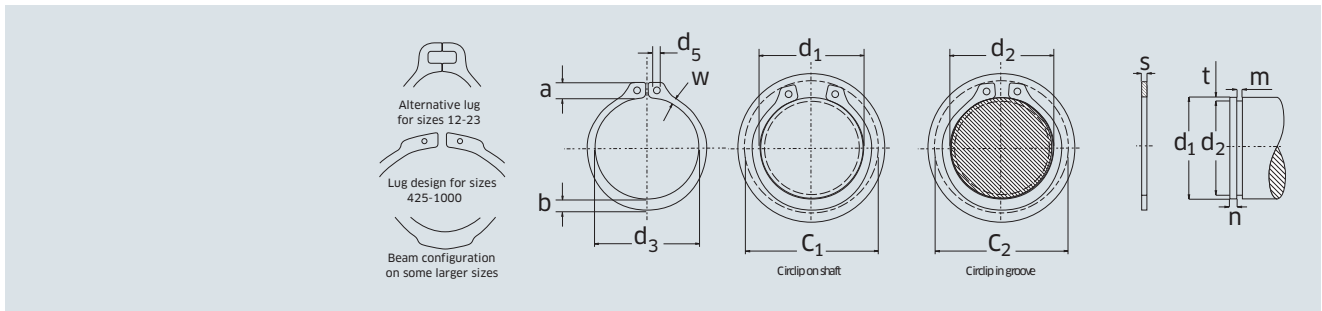
Subject to change.

Rings for shafts

N1400/NA



d_1	Part number	s	Tolerance	d_3	Tolerance	a max.	b	w	d_5 min.	C_1	C_2	Weight [lbs/1000]
1,250	NA125	0,050	±0,002	1,156	+0,010	0,187	0,140	0,076	0,076	1,69	1,62	5,90
1,312	NA131	0,050		1,214	-0,015	0,187	0,146	0,077	0,076	1,75	1,67	6,80
1,375	NA137	0,050		1,272		0,188	0,152	0,082	0,076	1,80	1,72	7,20
1,438	NA143	0,050		1,333		0,188	0,160	0,086	0,076	1,87	1,79	8,10
1,500	NA151	0,050		1,387		0,218	0,168	0,091	0,118	1,99	1,90	9,00
1,562	NA156	0,062	±0,003	1,446	+0,013	0,189	0,180	0,098	0,100	1,95	1,85	11,70
1,625	NA162	0,062		1,503	-0,020	0,239	0,180	0,097	0,100	2,17	2,08	12,80
1,688	NA168	0,062		1,560		0,205	0,197	0,099	0,100	2,04	1,95	13,20
1,750	NA175	0,062		1,618		0,205	0,197	0,101	0,100	2,11	2,01	13,80
1,772	NA177	0,062		1,618		0,205	0,197	0,102	0,100	2,19	2,09	14,10
1,812	NA181	0,062		1,675		0,205	0,197	0,095	0,100	2,23	2,13	14,70
1,875	NA187	0,062		1,735		0,205	0,197	0,104	0,100	2,29	2,19	15,50
1,968	NA196	0,062		1,819		0,205	0,197	0,106	0,123	2,39	2,27	18,20
2,000	NA200	0,062		1,850		0,232	0,224	0,108	0,123	2,48	2,36	19,20
2,062	NA206	0,078		1,906	+0,015	0,225	0,217	0,111	0,123	2,52	2,40	22,60
2,125	NA212	0,078		1,964	-0,025	0,236	0,228	0,120	0,123	2,61	2,48	24,40
2,156	NA215	0,078		1,993		0,225	0,217	0,113	0,123	2,62	2,49	26,60
2,250	NA225	0,078		2,081		0,272	0,217	0,116	0,123	2,87	2,74	26,00
2,312	NA231	0,078		2,139		0,272	0,217	0,118	0,123	2,94	2,81	28,40
2,375	NA237	0,078		2,197		0,236	0,228	0,119	0,123	2,86	2,72	27,90
2,438	NA243	0,078		2,255		0,236	0,228	0,120	0,123	2,92	2,78	29,40
2,500	NA250	0,078		2,313		0,236	0,228	0,122	0,123	2,98	2,84	29,20
2,559	NA255	0,078		2,377	+0,020	0,258	0,250	0,130	0,123	3,09	2,94	31,70
2,625	NA262	0,078		2,428	-0,030	0,236	0,228	0,120	0,123	3,11	2,96	35,00
2,688	NA268	0,078		2,485		0,273	0,246	0,129	0,123	3,32	3,18	36,00
2,750	NA275	0,093		2,543		0,284	0,276	0,145	0,123	3,33	3,18	47,00
2,875	NA287	0,093		2,659		0,268	0,260	0,133	0,123	3,42	3,26	48,40
2,938	NA293	0,093		2,717		0,268	0,260	0,125	0,123	3,49	3,32	50,00
3,000	NA300	0,093		2,775		0,268	0,260	0,138	0,123	3,55	3,38	51,50
3,062	NA306	0,093		2,832		0,268	0,260	0,131	0,123	3,61	3,44	56,80
3,125	NA312	0,093		2,892		0,305	0,272	0,141	0,123	3,75	3,57	57,90
3,156	NA315	0,093		2,920		0,284	0,276	0,143	0,123	3,74	3,56	59,00
3,250	NA325	0,093		3,006		0,284	0,276	0,145	0,123	3,83	3,65	61,90
3,346	NA334	0,093		3,092		0,284	0,276	0,147	0,123	3,93	3,74	63,90
3,438	NA343	0,093		3,179		0,284	0,276	0,130	0,123	4,02	3,83	65,90



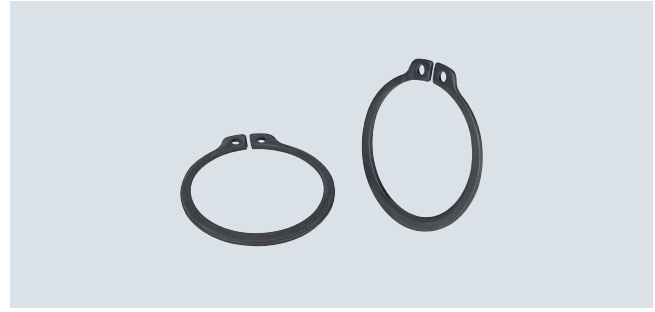
Data

Part number	d ₂	Tolerance	m	Tolerance	n min.	Tc (lb.f)	Tg (lb.ft)	Article No.
NA125	1,176	±,004	0,056	+,004	0,117	8800	2610	
NA131	1,232		0,056	-,000	0,126	9300	2970	
NA137	1,291		0,056		0,132	9700	3270	
NA143	1,350		0,056		0,138	10200	3580	
NA151	1,406		0,056		0,147	10600	3990	
NA156	1,468	±,005	0,068		0,148	10700	4150	
NA162	1,529		0,068		0,151	11100	4410	
NA168	1,589		0,068		0,156	11500	4720	
NA175	1,650		0,068		0,157	11900	4950	
NA177	1,669		0,068		0,162	12100	5160	
NA181	1,708		0,068		0,163	12400	5330	
NA187	1,769		0,068		0,166	12800	5620	
NA196	1,857		0,068		0,174	13400	5170	
NA200	1,886		0,068		0,178	13600	6450	
NA206	1,946	±,006	0,086	+,005	0,183	17700	6760	
NA212	2,003		0,086	-,000	0,192	18200	7330	
NA215	2,032		0,086		0,195	18500	7560	
NA225	2,120		0,086		0,204	19300	8270	
NA231	2,178		0,086		0,210	19800	8760	
NA237	2,239		0,086		0,213	20400	9130	
NA243	2,299		0,086		0,217	20900	9580	
NA250	2,360		0,086		0,219	21400	9900	
NA255	2,419		0,086		0,219	21900	10100	
NA262	2,481		0,086		0,225	22500	10700	
NA268	2,541		0,086		0,230	23000	11200	
NA275	2,206		0,103		0,231	28100	11500	
NA287	2,721		0,103		0,240	29400	12500	
NA293	2,779		0,103		0,247	30000	13200	
NA300	2,838		0,103		0,252	30700	13700	
NA306	2,898		0,103		0,255	31300	14200	
NA312	2,957		0,103		0,261	32000	14800	
NA315	2,986		0,103		0,264	32300	15200	
NA325	3,076		0,103		0,270	33200	16000	
NA334	3,166		0,103		0,279	34200	17000	
NA343	3,257		0,103		0,280	35200	17600	

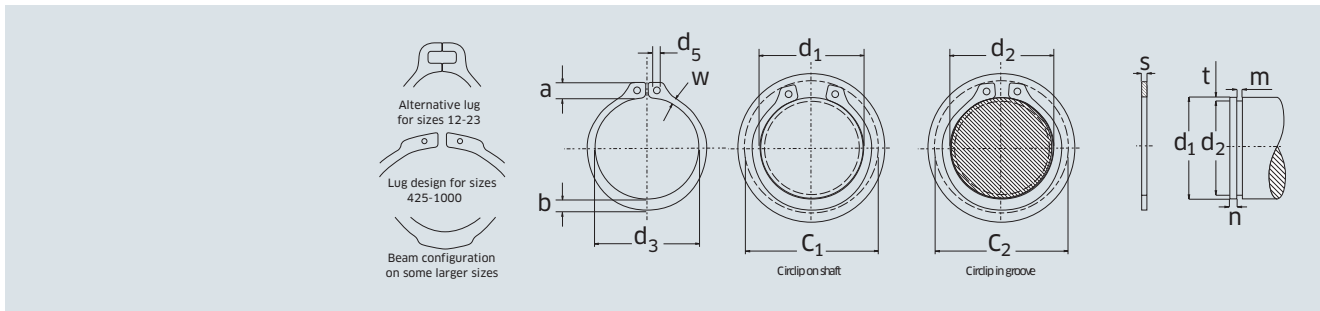
Subject to change.

Rings for shafts

N1400/NA



d_1	Part number	s	Tolerance	d_3	Tolerance	a max.	b =	w ~	d_5 min.	C_1	C_2	Weight [lbs/1000]
3,500	NA350	0,109	±0,003	3,237	+0,020	0,320	0,285	0,148	0,123	4,15	3,96	71,90
3,543	NA354	0,109		3,277	-0,030	0,320	0,288	0,149	0,123	4,20	4,00	72,90
3,625	NA362	0,109		3,352		0,323	0,315	0,153	0,123	4,28	4,09	76,00
3,688	NA368	0,109		3,410		0,335	0,302	0,156	0,123	4,31	4,11	80,00
3,750	NA375	0,109		3,468		0,337	0,310	0,160	0,123	4,44	4,23	82,90
3,875	NA387	0,109		3,584		0,335	0,318	0,163	0,123	4,56	4,35	87,90
3,938	NA393	0,109		3,642		0,323	0,318	0,163	0,123	4,60	4,39	95,00
4,000	NA400	0,109		3,700		0,352	0,344	0,176	0,123	4,72	4,50	100,00
4,250	NA425	0,109		3,989		0,323	0,318	0,176	0,123	4,91	4,72	112,00
4,375	NA437	0,109		4,106		0,323	0,318	0,181	0,123	5,04	4,84	115,00
4,500	NA450	0,109		4,223		0,323	0,285	0,128	0,123	5,16	4,96	100,00
4,750	NA475	0,109		4,458		0,437	0,303	0,152	0,123	5,47	5,26	113,00
5,000	NA500	0,109		4,692		0,445	0,360	0,186	0,151	5,72	5,50	149,00
5,250	NA525	0,125	±0,004	4,927	+0,020	0,457	0,375	0,211	0,151	6,18	5,95	188,00
5,500	NA550	0,125		5,162	-0,040	0,457	0,390	0,209	0,151	6,43	6,19	196,00
5,750	NA575	0,125		5,396		0,457	0,408	0,220	0,151	6,68	6,43	210,00
6,000	NA600	0,125		5,631		0,457	0,381	0,171	0,171	6,93	6,67	220,00
6,250	NA625	0,156	±0,005	5,866	+0,020	0,508	0,396	0,176	0,176	7,28	7,01	282,00
6,500	NA650	0,156		6,100	-0,050	0,508	0,438	0,236	0,236	7,53	7,25	330,00
6,750	NA675	0,156		6,335		0,508	0,456	0,246	0,246	7,78	7,49	356,00
7,000	NA700	0,156		6,570		0,508	0,460	0,256	0,256	8,03	7,73	371,00
7,500	NA750	0,187		7,039	+0,020	0,632	0,507	0,269	0,269	8,78	8,45	534,00
8,000	NA800	0,187		7,508	-0,100	0,632	0,540	0,275	0,275	9,27	8,93	540,00
8,500	NA850	0,187		7,977		0,632	0,573	0,300	0,300	9,78	9,41	692,00
9,000	NA900	0,187		8,445		0,632	0,609	0,410	0,410	10,25	9,87	737,00
9,500	NA950	0,187		8,915		0,632	0,625	0,420	0,420	10,78	10,38	785,00
10,000	NA1000	0,187		9,385		0,632	0,625	0,370	0,370	11,27	10,85	910,00

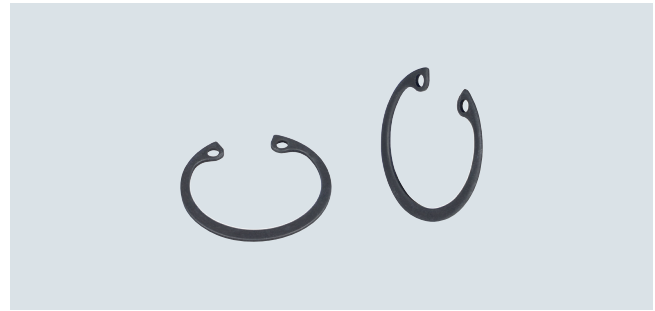


Data

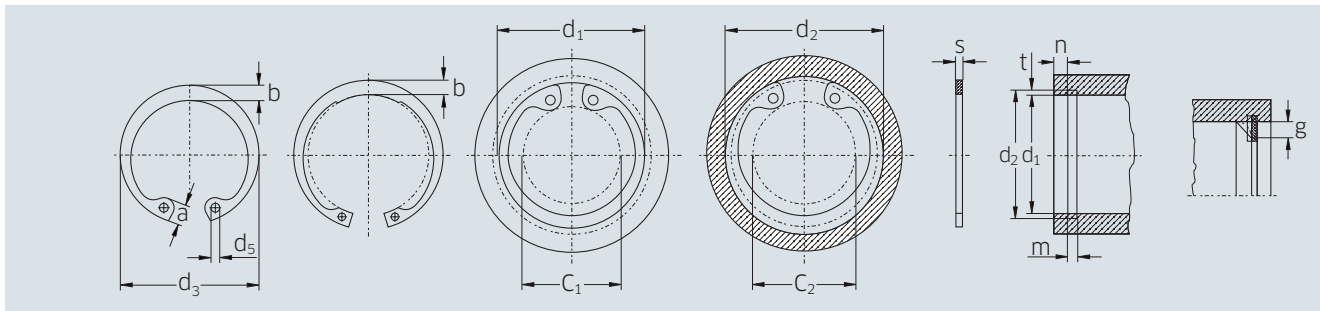
Part number	d ₂	Tolerance	m	Tolerance	n min.	Tc (lb.f)	Tg (lb.ft)	Article No.
NA350	3,316	±,006	0,120	+,005	0,285	42000	18200	
NA354	3,357		0,120	-,000	0,288	42500	18600	
NA362	3,435		0,120		0,294	43400	19500	
NA368	3,493		0,120		0,301	44200	20300	
NA375	3,552		0,120		0,306	44900	21000	
NA387	3,673		0,120		0,312	46400	22100	
NA393	3,734		0,120		0,315	47200	22700	
NA400	3,792		0,120		0,321	47900	23500	
NA425	4,065		0,120		0,287	50900	22200	
NA437	4,190		0,120		0,287	52400	22900	
NA450	4,310		0,120		0,294	53900	24200	
NA475	4,550		0,120		0,309	56900	26900	
NA500	4,790		0,120		0,324	59900	29700	
NA525	5,030	±,007	0,139	+,006	0,339	72200	32700	
NA550	5,265		0,139	-,000	0,363	75600	36500	
NA575	5,505		0,139		0,378	79000	39800	
NA600	5,745		0,139		0,393	82500	43300	
NA625	5,985	±,008	0,174	+,008	0,409	107000	46800	
NA650	6,225		0,174	-,000	0,425	112000	50500	
NA675	6,465		0,174		0,440	116000	54400	
NA700	6,705		0,174		0,455	120000	58400	
NA750	7,180		0,209		0,492	143000	67900	
NA800	7,660		0,209		0,522	153000	76900	
NA850	8,140		0,209		0,552	163000	86500	
NA900	8,620		0,209		0,582	172000	96700	
NA950	9,100		0,209		0,612	181000	107400	
NA1000	9,575		0,209		0,650	191000	120200	

Rings for bores

DIN 472/D1300/J



d_1	Part number	s	Tolerance	d_3	Tolerance	a max.	b ≈	d_5 min.	C_1	C_2	Weight [kg/1000]
8	J8	0,80	- 0,05	8,7	+0,36	2,4	1,1	1,0	3,0	3,6	0,10
9	J9	0,80		9,8	- 0,10	2,5	1,3	1,0	3,7	4,4	0,13
10	J10	1,00	- 0,06	10,8		3,2	1,4	1,2	3,3	4,0	0,26
11	J11	1,00		11,8		3,3	1,5	1,2	4,1	4,8	0,31
12	J12	1,00		13,0		3,4	1,7	1,5	4,9	5,7	0,37
13	J13	1,00		14,1		3,6	1,8	1,5	5,4	6,4	0,42
14	J14	1,00		15,1		3,7	1,8	1,7	6,2	7,2	0,52
15	J15	1,00		16,2		3,7	2,0	1,7	7,2	8,3	0,56
16	J16	1,00		17,3		3,8	2,0	1,7	8,0	9,2	0,60
17	J17	1,00		18,3	+0,42	3,9	2,1	1,7	8,8	10,0	0,65
18	J18	1,00		19,5	- 0,13	4,1	2,2	2,0	9,4	10,8	0,74
19	J19	1,00		20,5		4,1	2,2	2,0	10,4	11,8	0,83
20	J20	1,00		21,5		4,1	2,3	2,0	11,2	12,6	0,90
21	J21	1,00		22,5		4,2	2,4	2,0	12,2	13,6	1,00
22	J22	1,00		23,5		4,2	2,5	2,0	13,2	14,6	1,10
23	J23	1,20		24,6		4,2	2,5	2,0	14,2	15,7	1,34
24	J24	1,20		25,9	+0,42	4,3	2,6	2,0	14,8	16,4	1,42
25	J25	1,20		26,9	- 0,21	4,5	2,7	2,0	15,5	17,2	1,50
26	J26	1,20		27,9		4,7	2,8	2,0	16,1	17,8	1,60
27	J27	1,20		29,1		4,7	2,9	2,0	17,1	19,0	1,75
28	J28	1,20		30,1	+0,50	4,8	2,9	2,0	17,9	19,8	1,80
29	J29	1,20		31,1	- 0,25	4,8	3,0	2,0	18,9	20,8	1,88
30	J30	1,20		32,1		4,8	3,0	2,0	19,9	21,8	2,06
31	J31	1,20		33,4		5,2	3,1	2,5	20,0	22,3	2,10
32	J32	1,20		34,4		5,4	3,2	2,5	20,6	22,9	2,21
33	J33	1,20		35,5		5,4	3,3	2,5	21,6	23,9	2,40
34	J34	1,50		36,5		5,4	3,3	2,5	22,6	24,9	3,20
35	J35	1,50		37,8		5,4	3,4	2,5	23,6	26,2	3,54
36	J36	1,50		38,8		5,4	3,5	2,5	24,6	27,2	3,70
37	J37	1,50		39,8		5,5	3,6	2,5	25,4	28,0	3,74
38	J38	1,50		40,8		5,5	3,7	2,5	26,4	29,0	3,90
39	J39	1,50		42,0	+0,90	5,6	3,8	2,5	27,3	29,8	4,00
40	J40	1,75		43,5	- 0,39	5,8	3,9	2,5	27,8	30,9	4,70
41	J41	1,75		44,5		5,9	4,0	2,5	28,6	31,7	5,10
42	J42	1,75		45,5		5,9	4,1	2,5	29,6	32,7	5,40

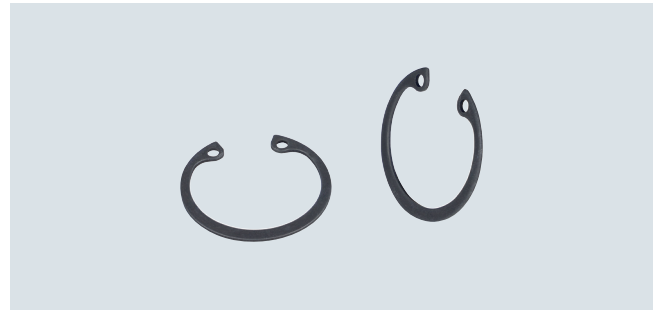


Data

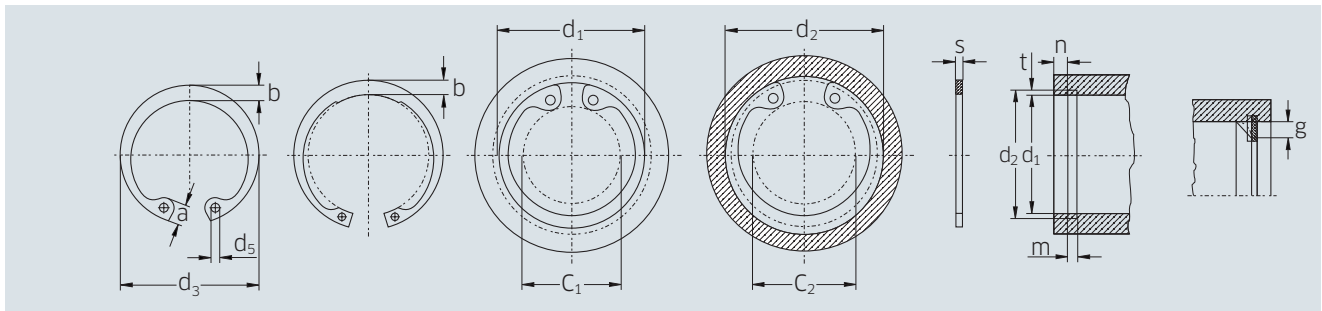
Part number	d_2	Tolerance	m	t	n	FN [kN]	FR [kN]	g	FRg [kN]	AN [mm ²]	K [kN·mm ²]	Article No.
			min.									
J8	8,4	+0,09	0,90	0,20	0,6	0,86	2,0	0,5	1,5	5,1	9,25	
J9	9,4		0,90	0,20	0,6	0,96	2,0	0,5	1,5	5,7	8,40	
J10	10,4	+0,11	1,10	0,20	0,6	1,08	4,0	0,5	2,2	6,4	19,60	
J11	11,4		1,10	0,20	0,6	1,17	4,0	0,5	2,3	7,0	21,00	
J12	12,5		1,10	0,25	0,8	1,60	4,0	0,5	2,3	9,6	20,20	
J13	13,6		1,10	0,30	0,9	2,10	4,2	0,5	2,3	12,5	20,30	
J14	14,6		1,10	0,30	0,9	2,10	4,5	0,5	2,3	13,4	19,70	
J15	15,7		1,10	0,35	1,1	2,80	5,0	0,5	2,3	16,8	19,00	
J16	16,8		1,10	0,40	1,2	3,40	5,5	1,0	2,6	20,6	18,40	
J17	17,8		1,10	0,40	1,2	3,60	6,0	1,0	2,5	21,8	18,10	
J18	19,0	+0,13	1,10	0,50	1,5	4,80	6,5	1,0	2,6	29,0	18,20	
J19	20,0		1,10	0,50	1,5	5,10	6,8	1,0	2,6	30,6	17,20	
J20	21,0		1,10	0,50	1,5	5,40	7,2	1,0	2,6	32,2	16,90	
J21	22,0		1,10	0,50	1,5	5,70	7,6	1,0	2,6	33,8	17,20	
J22	23,0		1,10	0,50	1,5	5,90	8,0	1,0	2,7	35,3	17,60	
J23	24,1		1,30	0,55	1,7	6,80	8,0	1,0	4,6	40,7	28,80	
J24	25,2	+0,21	1,30	0,60	1,8	7,70	13,9	1,0	4,6	46,3	28,40	
J25	26,2		1,30	0,60	1,8	8,00	14,6	1,0	4,7	48,2	29,00	
J26	27,2		1,30	0,60	1,8	8,40	13,8	1,0	4,6	50,1	27,80	
J27	28,4		1,30	0,70	2,1	10,10	13,3	1,0	4,5	60,9	26,60	
J28	29,4		1,30	0,70	2,1	10,50	13,3	1,0	4,5	63,1	26,30	
J29	30,4	+0,25	1,30	0,70	2,1	10,90	13,6	1,0	4,6	65,3	26,80	
J30	31,4		1,30	0,70	2,1	11,30	13,7	1,0	4,6	67,5	26,60	
J31	32,7		1,30	0,85	2,6	14,10	13,8	1,0	4,7	84,8	26,80	
J32	33,7		1,30	0,85	2,6	14,60	13,8	1,0	4,7	87,9	26,60	
J33	34,7		1,30	0,85	2,6	15,00	14,3	1,0	4,9	90,3	27,00	
J34	35,7		1,60	0,85	2,6	15,40	26,2	1,5	6,3	92,6	50,00	
J35	37,0		1,60	1,00	3,0	18,80	26,9	1,5	6,4	113,0	50,50	
J36	38,0		1,60	1,00	3,0	19,40	26,4	1,5	6,4	116,0	50,20	
J37	39,0		1,60	1,00	3,0	19,80	27,1	1,5	6,5	119,0	51,00	
J38	40,0		1,60	1,00	3,0	22,50	28,2	1,5	6,7	123,0	51,70	
J39	41,0		1,60	1,00	3,0	26,00	28,8	1,5	6,9	126,0	52,40	
J40	42,5		1,85	1,25	3,8	27,00	44,6	2,0	8,3	162,0	80,10	
J41	43,5		1,85	1,25	3,8	27,60	45,0	2,0	8,3	166,0	81,20	
J42	44,5		1,85	1,25	3,8	28,40	44,7	2,0	8,4	170,0	80,90	

Rings for bores

DIN 472/D1300/J



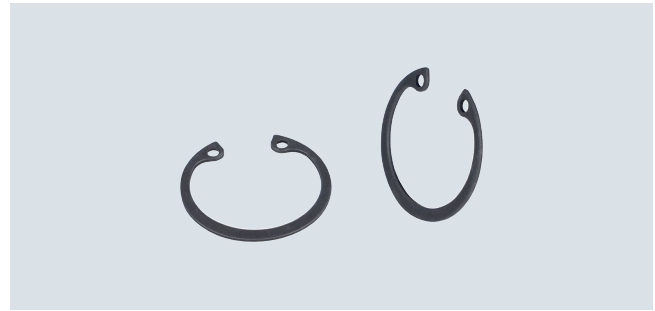
d_1	Part number	s	Tolerance	d_3	Tolerance	a max.	b ≈	d_5 min.	C_1	C_2	Weight [kg/1000]
43	J43	1,75	- 0,06	46,5	+0,90	5,9	4,2	2,5	30,6	33,7	5,60
44	J44	1,75		47,5	- 0,39	6,0	4,2	2,5	31,4	34,5	5,80
45	J45	1,75		48,5		6,2	4,3	2,5	32,0	35,1	6,00
46	J46	1,75		49,5		6,3	4,4	2,5	32,8	35,9	6,05
47	J47	1,75		50,5		6,4	4,4	2,5	33,5	36,7	6,10
48	J48	1,75		51,5	+1,10	6,4	4,5	2,5	34,5	37,7	6,70
50	J50	2,00	- 0,07	54,2	- 0,46	6,5	4,6	2,5	36,3	40,0	7,30
51	J51	2,00		55,2		6,5	4,7	2,5	37,3	41,0	7,75
52	J52	2,00		56,2		6,7	4,7	2,5	37,9	41,6	8,20
53	J53	2,00		57,2		6,7	4,9	2,5	39,0	42,6	8,22
54	J54	2,00		58,2		6,7	5,0	2,5	40,0	43,6	8,25
55	J55	2,00		59,2		6,8	5,0	2,5	40,7	44,4	8,30
56	J56	2,00		60,2		6,8	5,1	2,5	41,7	45,4	8,80
57	J57	2,00		61,2		6,8	5,1	2,5	42,7	46,4	9,40
58	J58	2,00		62,2		6,9	5,2	2,5	43,5	47,2	10,50
60	J60	2,00		64,2		7,3	5,4	2,5	44,7	48,4	11,10
62	J62	2,00		66,2		7,3	5,5	2,5	46,7	50,4	11,20
63	J63	2,00		67,2		7,3	5,6	2,5	47,7	51,4	12,40
64	J64	2,00		68,2		7,4	5,7	2,5	48,7	52,4	12,45
65	J65	2,50		69,2		7,6	5,8	3,0	49,0	52,8	14,30
67	J67	2,50		71,5		7,7	6,0	3,0	50,8	54,6	15,30
68	J68	2,50		72,5		7,8	6,1	3,0	51,6	55,4	16,00
70	J70	2,50		74,5		7,8	6,2	3,0	53,6	57,4	16,50
72	J72	2,50		76,5		7,8	6,4	3,0	55,6	59,4	18,10
75	J75	2,50		79,5		7,8	6,6	3,0	58,6	62,4	18,80
77	J77	2,50		82,5	+1,30	8,5	6,8	3,0	59,2	63,0	20,40
78	J77	2,50		82,5	- 0,54	8,5	6,8	3,0	60,1	64,0	20,40
80	J80	2,50		85,5		8,5	7,0	3,0	62,1	66,5	22,00
81	J81	2,50		86,5		8,5	7,0	3,0	62,2		23,00
82	J82	2,50		87,5		8,5	7,0	3,0	64,1	68,5	24,00
83	J83	2,50		88,5		8,5	7,0	3,0	65,2	69,5	25,00
85	J85	3,00	- 0,08	90,5		8,6	7,2	3,5	66,9	71,3	25,30
87	J87	3,00		93,5		8,6	7,4	3,5	69,0	73,3	31,00
88	J87	3,00		93,5		8,6	7,4	3,5	69,9	74,3	31,00
90	J90	3,00		95,5		8,6	7,6	3,5	71,9	76,3	33,00



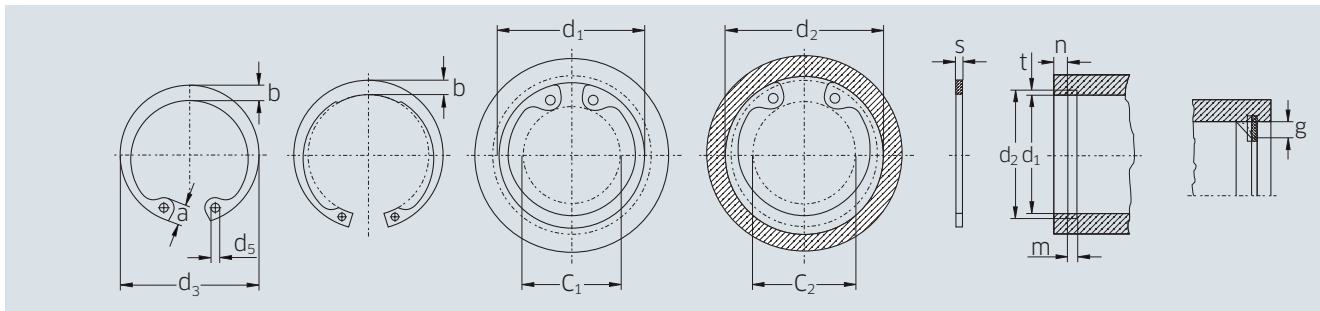
Part number	d_2	Tolerance	m	t	n	Data						Article No.
						FN [kN]	FR [kN]	g	FRg [kN]	AN [mm ²]	K [kN·mm ²]	
J43	45,5	+0,25	1,85	1,25	3,8	28,80	44,5	2,0	8,4	173	80,5	
J44	46,5		1,85	1,25	3,8	29,50	43,3	2,0	8,3	177	78,6	
J45	47,5		1,85	1,25	3,8	30,20	43,1	2,0	8,2	181	78,1	
J46	48,5		1,85	1,25	3,8	30,80	42,9	2,0	8,2	185	77,8	
J47	49,5		1,85	1,25	3,8	31,40	43,5	2,0	8,3	189	78,9	
J48	50,5	+0,30	1,85	1,25	3,8	32,00	43,2	2,0	8,4	193	78,5	
J50	53,0		2,15	1,50	4,5	40,50	60,8	2,0	12,1	243	111,0	
J51	54,0		2,15	1,50	4,5	41,20	60,2	2,0	12,0	247	109,0	
J52	55,0		2,15	1,50	4,5	42,00	60,2	2,0	12,0	252	108,0	
J53	56,0		2,15	1,50	4,5	42,90	60,7	2,0	12,1	257	110,0	
J54	57,0		2,15	1,50	4,5	43,60	60,4	2,0	12,3	262	110,0	
J55	58,0		2,15	1,50	4,5	44,40	60,3	2,0	12,5	266	111,0	
J56	59,0		2,15	1,50	4,5	45,20	60,3	2,0	12,6	271	111,0	
J57	60,0		2,15	1,50	4,5	46,00	60,8	2,0	12,7	276	112,0	
J58	61,0		2,15	1,50	4,5	46,70	60,8	2,0	12,7	280	112,0	
J60	63,0		2,15	1,50	4,5	48,30	61,0	2,0	13,0	290	113,0	
J62	65,0		2,15	1,50	4,5	49,80	60,9	2,0	13,0	299	112,0	
J63	66,0		2,15	1,50	4,5	50,60	60,8	2,0	13,0	304	112,0	
J64	67,0		2,15	1,50	4,5	51,40	60,6	2,0	13,0	308	112,0	
J65	68,0		2,65	1,50	4,5	51,80	121,0	2,5	20,8	313	220,0	
J67	70,0		2,65	1,50	4,5	53,80	121,0	2,5	21,1	323	222,0	
J68	71,0		2,65	1,50	4,5	56,20	119,0	2,5	21,0	337	218,0	
J70	73,0		2,65	1,50	4,5	56,20	119,0	2,5	21,0	337	218,0	
J72	75,0		2,65	1,50	4,5	58,00	119,0	2,5	21,0	346	217,0	
J75	78,0		2,65	1,50	4,5	60,00	118,0	2,5	21,0	360	215,0	
J77	80,0		2,65	1,50	4,5	61,60	121,0	2,5	21,5	370	220,0	
J77	81,0	+0,35	2,65	1,50	4,5	62,30	122,0	2,5	21,8	374	221,0	
J80	83,5		2,65	1,75	5,3	74,60	120,0	2,5	21,8	448	219,0	
J81	84,5		2,65	1,75	5,3	75,80	119,0	2,5	21,6	455	216,0	
J82	85,5		2,65	1,75	5,3	76,60	119,0	2,5	21,4	460	214,0	
J83	86,5		2,65	1,75	5,3	77,50	118,0	2,5	21,2	466	213,0	
J85	88,5		3,15	1,75	5,3	79,50	201,0	3,0	31,2	477	364,0	
J87	90,5		3,15	1,75	5,3	81,30	204,0	3,0	31,8	488	370,0	
J87	91,5		3,15	1,75	5,3	82,00	209,0	3,0	32,7	493	380,0	
J90	93,5		3,15	1,75	5,3	84,00	199,0	3,0	31,4	504	364,0	

Rings for bores

DIN 472/D1300/J



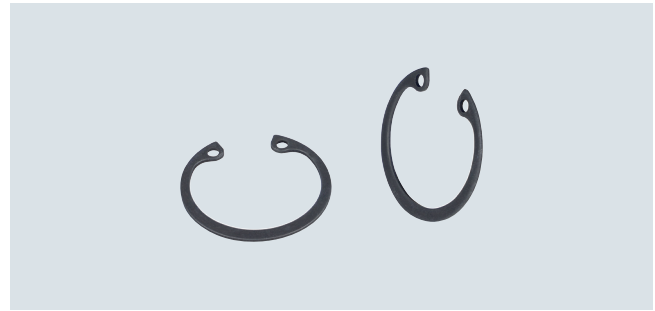
d_1	Part number	s	Tolerance	d_3	Tolerance	a max.	b ≈	d_5 min.	C ₁	C ₂	Weight [kg/1000]
92	J92	3,00	- 0,08	97,5	+1,30	8,7	7,8	3,5	73,7	78,1	35,0
95	J95	3,00		100,5	- 0,54	8,8	8,1	3,5	76,5	80,9	37,0
97	J98	3,00		103,5		9,0	8,3	3,5	78,1	82,5	41,0
98	J98	3,00		103,5		9,0	8,3	3,5	79,0	83,5	41,0
100	J100	3,00		105,5		9,2	8,4	3,5	80,6	85,1	42,0
102	J102	4,00	- 0,10	108,0		9,5	8,5	3,5	82,0	87,0	55,0
105	J105	4,00		112,0		9,5	8,7	3,5	85,0	90,0	56,0
107	J108	4,00		115,0		9,5	8,9	3,5	87,0	92,0	60,0
108	J108	4,00		115,0		9,5	8,9	3,5	88,0	93,0	60,0
110	J110	4,00		117,0		10,4	9,0	3,5	88,2	93,2	64,5
112	J112	4,00		119,0		10,5	9,1	3,5	90,0	95,0	72,0
115	J115	4,00		122,0	+1,50	10,5	9,3	3,5	93,0	98,0	74,5
117	J118	4,00		125,0	- 0,63	10,7	9,6	3,5	94,6	99,6	75,5
118	J118	4,00		125,0		10,7	9,6	3,5	95,6	100,6	75,5
120	J120	4,00		127,0		11,0	9,7	3,5	96,9	102,0	77,0
122	J122	4,00		129,0		11,0	9,8	4,0	98,0	104,0	78,0
125	J125	4,00		132,0		11,0	10,0	4,0	101,9	107,0	79,0
127	J128	4,00		135,0		11,0	10,0	4,0	103,9	109,0	81,0
128	J128	4,00		135,0		11,0	10,2	4,0	104,9	110,0	81,0
130	J130	4,00		137,0		11,0	10,2	4,0	106,9	112,0	82,0
132	J132	4,00		139,0		11,0	10,3	4,0	108,9	114,0	83,0
135	J135	4,00		142,0		11,2	10,5	4,0	111,5	116,0	84,0
137	J138	4,00		145,0		11,2	10,6	4,0	113,5	118,6	86,0
138	J138	4,00		145,0		11,2	10,6	4,0	114,5	119,6	86,0
140	J140	4,00		147,0		11,2	10,7	4,0	116,5	121,0	87,5
142	J142	4,00		149,0		11,3	10,8	4,0	118,3	123,4	89,0
145	J145	4,00		152,0		11,4	10,9	4,0	121,0	126,0	93,0
147	J148	4,00		155,0		11,8	11,1	4,0	122,2	127,4	100,0
148	J148	4,00		155,0		11,8	11,1	4,0	123,2	128,4	100,0
150	J150	4,00		158,0		12,0	11,2	4,0	124,8	131,0	105,0
152	J152	4,00		161,0		12,0	11,3	4,0	126,8	133,0	106,0
155	J155	4,00		164,0		12,0	11,4	4,0	129,8	136,0	107,0
157	J158	4,00		167,0		12,3	11,5	4,0	131,2	137,4	109,0
158	J158	4,00		167,0		12,3	11,5	4,0	132,2	138,4	109,0
160	J160	4,00		169,0		13,0	11,6	4,0	132,7	139,0	110,0



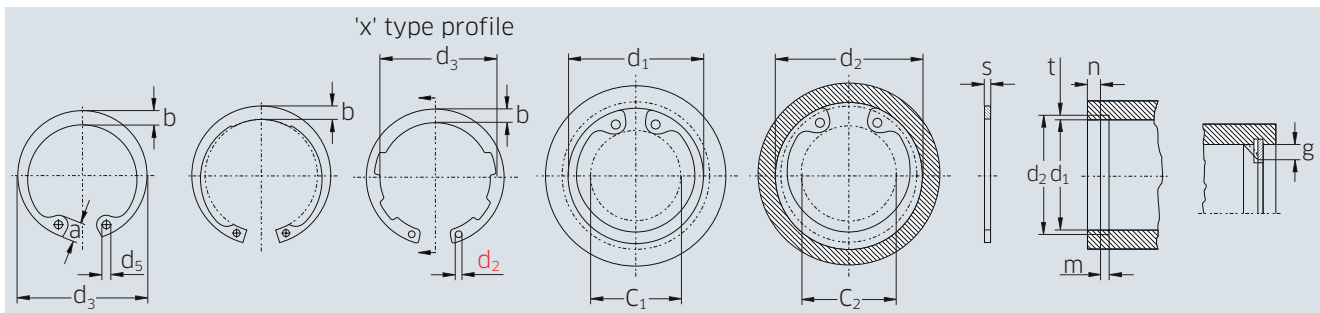
Part number	d_2	Tolerance	m min.	t	Data							Article No.
					n	FN [kN]	FR [kN]	g	FRg [kN]	AN [mm ²]	K [kN•mm ²]	
J92	95,5	+0,35	3,15	1,75	5,3	85,0	201	3,0	32,0	515	371	
J95	98,5		3,15	1,75	5,3	88,0	195	3,0	31,4	532	365	
J98	100,5		3,15	1,75	5,3	90,0	193	3,0	31,2	543	364	
J98	101,5		3,15	1,75	5,3	91,0	191	3,0	31,0	548	361	
J100	103,5		3,15	1,75	5,3	93,0	188	3,0	30,8	559	359	
J102	106,0	+0,54	4,15	2,00	6,0	108,0	439	3,0	72,6	653	846	
J105	109,0		4,15	2,00	6,0	112,0	436	3,0	73,0	672	850	
J108	111,0		4,15	2,00	6,0	114,0	425	3,0	71,6	684	834	
J108	112,0		4,15	2,00	6,0	115,0	419	3,0	71,0	691	825	
J110	114,0		4,15	2,00	6,0	117,0	415	3,0	71,0	704	824	
J112	116,0		4,15	2,00	6,0	119,0	418	3,0	72,0	715	837	
J115	119,0		4,15	2,00	6,0	122,0	409	3,0	71,2	735	829	
J118	121,0	+0,63	4,15	2,00	6,0	124,0	399	3,0	70,0	747	814	
J118	122,0		4,15	2,00	6,0	125,0	394	3,0	69,3	754	807	
J120	124,0		4,15	2,00	6,0	127,0	396	3,0	70,0	767	818	
J122	126,0		4,15	2,00	6,0	129,0	399	3,0	71,0	779	829	
J125	129,0		4,15	2,00	6,0	132,0	385	3,0	70,0	797	809	
J128	131,0		4,15	2,00	6,0	135,0	383	3,0	70,0	810	808	
J128	132,0		4,15	2,00	6,0	136,0	378	3,0	69,0	816	802	
J130	134,0		4,15	2,00	6,0	138,0	374	3,0	69,0	829	801	
J132	136,0		4,15	2,00	6,0	140,0	366	3,0	68,0	842	789	
J135	139,0		4,15	2,00	6,0	143,0	358	3,0	67,0	860	781	
J138	141,0		4,15	2,00	6,0	145,0	356	3,0	67,0	874	780	
J138	142,0		4,15	2,00	6,0	146,0	352	3,0	66,5	880	775	
J140	144,0		4,15	2,00	6,0	148,0	350	3,0	66,5	892	775	
J142	146,0		4,15	2,00	6,0	150,0	342	3,0	65,5	905	764	
J145	149,0		4,15	2,00	6,0	153,0	336	3,0	65,0	923	757	
J148	151,0		4,15	2,00	6,0	156,0	336	3,0	65,0	936	757	
J148	152,0		4,15	2,00	6,0	157,0	331	3,0	64,5	942	753	
J150	155,0		4,15	2,50	7,5	191,0	326	3,0	64,0	1198	748	
J152	157,0		4,15	2,50	7,5	202,0	326	3,5	55,0	1212	747	
J155	160,0		4,15	2,50	7,5	206,0	324	3,5	55,0	1237	743	
J158	162,0		4,15	2,50	7,5	208,0	328	3,5	55,5	1251	752	
J158	163,0		4,15	2,50	7,5	210,0	326	3,5	55,0	1260	747	
J160	165,0		4,15	2,50	7,5	212,0	321	3,5	54,5	1275	737	

Rings for bores

DIN 472/D1300/J



d_1	Part number	s	Tolerance	d_3	Tolerance	a max.	b ≈	d_5 min.	C_1	C_2	Weight [kg/1000]
162	J162	4,00	- 0,10	171,5	+1,50	13,0	11,7	4,0	134,7	141,0	118,0
165	J165	4,00		174,5	- 0,63	13,0	11,8	4,0	137,7	144,0	125,0
167	J168	4,00		177,5		13,5	12,1	4,0	138,7	145,0	135,0
168	J168	4,00		177,5		13,5	12,1	4,0	139,7	146,0	135,0
170	J170	4,00		179,5		13,5	12,2	4,0	141,6	148,0	140,0
172	J172	4,00		181,5	+1,70	13,5	12,5	4,0	143,6	150,0	145,0
175	J175	4,00		184,5	- 0,72	13,5	12,7	4,0	146,6	153,0	150,0
177	J178	4,00		187,5		14,2	12,9	4,0	147,0	153,6	162,0
178	J178	4,00		187,5		14,2	12,9	4,0	148,0	154,6	162,0
180	J180	4,00		189,5		14,2	13,2	4,0	150,2	156,0	165,0
182	J182	4,00		191,5		14,2	13,5	4,0	152,0	158,6	168,0
185	J185	4,00		194,5		14,2	13,7	4,0	155,2	161,0	170,0
187	J188	4,00		197,5		14,2	13,8	4,0	157,0	163,6	174,0
188	J188	4,00		197,5		14,2	13,8	4,0	158,0	164,6	174,0
190	J190	4,00		199,5		14,2	13,8	4,0	160,2	166,0	175,0
192	J192	4,00		201,5		14,2	13,8	4,0	162,0	168,6	178,0
195	J195	4,00		204,5		14,2	13,8	4,0	165,2	171,0	183,0
197	J198	4,00		207,5		14,2	14,0	4,0	166,0	173,6	190,0
198	J198	4,00		207,5		14,2	14,0	4,0	168,0	174,6	190,0
200	J200	4,00		209,5		14,2	14,0	4,0	170,2	176,0	195,0
202	J202	5,00	- 0,12	214,0		14,2	14,0	4,0	172,0	179,6	210,0
205	J205	5,00		217,0		14,2	14,0	4,0	175,0	182,6	225,0
207	J205	5,00		217,0		14,2	14,0	4,0	177,0	184,6	225,0
208	J210	5,00		222,0		14,2	14,0	4,0	178,0	185,6	270,0
210	J210	5,00		222,0		14,2	14,0	4,0	180,2	187,0	270,0
212	J212	5,00		222,0		14,2	14,0	4,0	182,0	189,6	270,0
215	J215	5,00		227,0		14,2	14,0	4,0	185,0	192,6	300,0
217	J215	5,00		227,0		14,2	14,0	4,0	187,0	194,6	300,0
218	J220	5,00		232,0		14,2	14,0	4,0	188,0	195,6	315,0
220	J220	5,00		232,0		14,2	14,0	4,0	190,2	197,0	315,0
222	J222	5,00		232,0		14,2	14,0	4,0	192,0	199,6	315,0
225	J225	5,00		237,0		14,2	14,0	4,0	195,0	202,6	323,0
227	J225	5,00		237,0		14,2	14,0	4,0	195,0	204,6	323,0
228	J230	5,00		242,0		14,2	14,0	4,0	198,0	205,6	330,0
230	J230	5,00		242,0		14,2	14,0	4,0	200,2	207,0	330,0

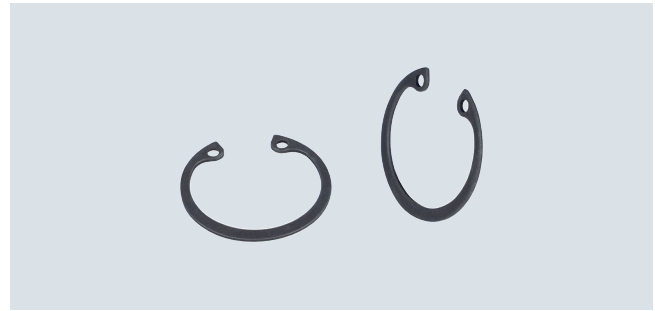


Data

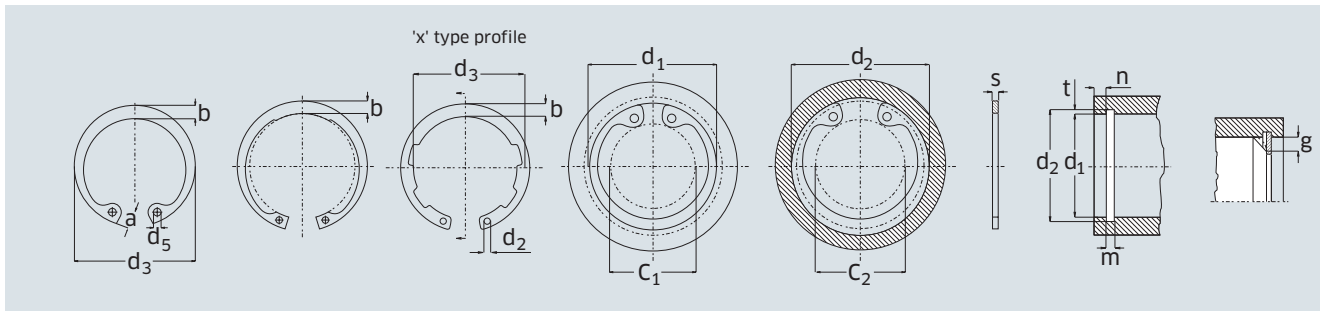
Part number	d_2	Tolerance	m	t	n	FN	FR	g	FRg	AN	K	Article No.
						[kN]	[kN]		[kN]	[mm ²]	[kN·mm ²]	
J162	167,0	+0,63	4,15	2,50	7,5	215,0	321	3,5	54,5	1290	736	
J165	170,0		4,15	2,50	7,5	219,0	319	3,5	54,0	1315	732	
J168	172,0		4,15	2,50	7,5	221,0	355	3,5	60,0	1330	814	
J168	173,0		4,15	2,50	7,5	223,0	353	3,5	60,0	1339	810	
J170	175,0		4,15	2,50	7,5	225,0	349	3,5	59,0	1355	800	
J172	177,0		4,15	2,50	7,5	228,0	357	3,5	60,0	1370	818	
J175	180,0		4,15	2,50	7,5	232,0	351	3,5	59,0	1393	804	
J178	182,0	+0,72	4,15	2,50	7,5	235,0	346	3,5	58,5	1410	794	
J178	183,0		4,15	2,50	7,5	236,0	344	3,5	58,0	1418	789	
J180	185,0		4,15	2,50	7,5	238,0	347	3,5	58,5	1432	796	
J182	187,0		4,15	2,50	7,5	241,0	355	3,5	60,0	1449	814	
J185	190,0		4,15	2,50	7,5	245,0	349	3,5	59,0	1471	800	
J188	192,0		4,15	2,50	7,5	248,0	345	3,5	58,5	1490	792	
J188	193,0		4,15	2,50	7,5	249,0	343	3,5	58,0	1495	786	
J190	195,0	4,15	2,50	7,5	251,0	340	3,5	57,5	1510	779		
J192	197,0	4,15	2,50	7,5	254,0	336	3,5	57,0	1528	770		
J195	200,0	4,15	2,50	7,5	258,0	330	3,5	55,5	1550	756		
J198	202,0	4,15	2,50	7,5	260,0	330	3,5	55,5	1565	756		
J198	203,0	4,15	2,50	7,5	262,0	329	3,5	55,5	1575	754		
J200	205,0	4,15	2,50	7,5	265,0	325	3,5	55,0	1590	745		
J202	208,0	5,15	3,00	9,0	321,0	625	4,0	92,5	1930	1432		
J205	211,0	5,15	3,00	9,0	326,0	616	4,0	91,5	1960	1411		
J205	213,0	5,15	3,00	9,0	329,0	610	4,0	90,0	1979	1399		
J210	214,0	5,15	3,00	9,0	331,0	607	4,0	90,0	1990	1392		
J210	216,0	5,15	3,00	9,0	333,0	601	4,0	89,5	2002	1378		
J212	218,0	5,15	3,00	9,0	337,0	596	4,0	88,5	2025	1367		
J215	221,0	5,15	3,00	9,0	341,0	586	4,0	87,0	2050	1343		
J215	223,0	5,15	3,00	9,0	345,0	581	4,0	86,0	2072	1331		
J220	224,0	5,15	3,00	9,0	346,0	580	4,0	86,0	2080	1329		
J220	226,0	5,15	3,00	9,0	349,0	574	4,0	85,0	2095	1316		
J222	228,0	5,15	3,00	9,0	353,0	568	4,0	84,0	2120	1303		
J225	231,0	5,15	3,00	9,0	357,0	560	4,0	83,0	2145	1283		
J225	233,0	5,15	3,00	9,0	361,0	555	4,0	82,0	2170	1271		
J230	234,0	5,15	3,00	9,0	362,0	554	4,0	82,0	2175	1268		
J230	236,0	5,15	3,00	9,0	365,0	549	4,0	81,0	2196	1259		

Rings for bores

DIN 472/D1300/J



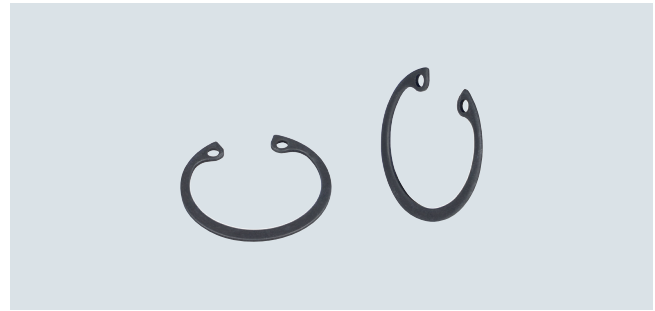
d_1	Part number	s	Tolerance	d_3	Tolerance	a max.	b ≈	d_5 min.	C_1	C_2	Weight [kg/1000]
232	J232	5,00	- 0,12	242,0	+2,00	14,2	14,0	4,0	202,0	209,6	330
235	J235	5,00		247,0	- 0,81	14,2	14,0	4,0	205,0	212,6	338
237	J235	5,00		247,0		14,2	14,0	4,0	207,0	214,6	338
238	J240	5,00		252,0		14,2	14,0	4,0	208,0	215,6	345
240	J240	5,00		252,0		14,2	14,0	4,0	210,2	217,0	345
242	J242	5,00		252,0		14,2	14,0	4,0	212,0	219,6	345
245	J245	5,00		257,0		14,2	14,0	4,0	215,0	222,6	353
247	J245	5,00		257,0		14,2	14,0	4,0	217,0	224,6	353
248	J250	5,00		262,0		14,2	14,0	4,0	218,0	225,6	360
250	J250	5,00		262,0		14,2	14,0	4,0	220,2	227,0	360
252	J252	5,00		262,0		14,2	16,0	5,0	222,0	231,6	360
255	J255	5,00		270,0		16,2	16,0	5,0	221,0	230,6	368
257	J255	5,00		270,0		16,2	16,0	5,0	223,0	232,6	368
258	J260	5,00		275,0		16,2	16,0	5,0	224,0	233,6	375
260	J260	5,00		275,0		16,2	16,0	5,0	226,0	235,0	375
262	J262	5,00		275,0		16,2	16,0	5,0	228,0	237,6	375
265	J265	5,00		280,0		16,2	16,0	5,0	231,0	240,6	383
267	J265	5,00		280,0		16,2	16,0	5,0	233,0	242,6	383
268	J270	5,00		285,0		16,2	16,0	5,0	234,0	243,6	388
270	J270	5,00		285,0		16,2	16,0	5,0	236,0	245,0	388
272	J272	5,00		285,0		16,2	16,0	5,0	238,0	247,6	388
275	J275	5,00		290,0		16,2	16,0	5,0	241,0	250,6	393
277	J275	5,00		290,0		16,2	16,0	5,0	243,0	252,6	393
278	J280	5,00		295,0		16,2	16,0	5,0	244,0	253,6	400
280	J280	5,00		295,0		16,2	16,0	5,0	246,0	255,0	400
282	J282	5,00		295,0		16,2	16,0	5,0	248,0	257,6	400
285	J285	5,00		300,0		16,2	16,0	5,0	251,0	260,0	408
287	J285	5,00		300,0		16,2	16,0	5,0	253,0	262,6	408
288	J290	5,00		305,0		16,2	16,0	5,0	254,0	263,6	415
290	J290	5,00		305,0		16,2	16,0	5,0	256,0	265,0	415
292	J292	5,00		305,0		16,2	16,0	5,0	258,0	267,6	415
295	J295	5,00		310,0		16,2	16,0	5,0	261,0	270,6	426
297	J295	5,00		310,0		16,2	16,0	5,0	263,0	272,6	426
298	J300	5,00		315,0		16,2	16,0	5,0	264,0	273,6	435
300	J300	5,00		315,0		16,2	16,0	5,0	266,0	275,0	435



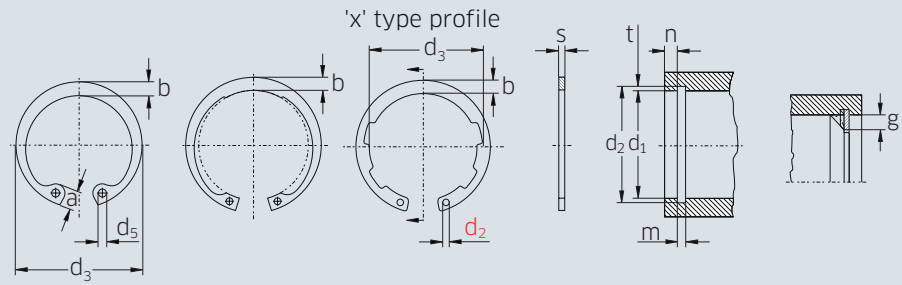
Part number	d_2	Tolerance	Data		n	FN [kN]	FR [kN]	g	FRg [kN]	AN [mm ²]	K [kN·mm ²]	Article No.
			m min.	t								
J232	238	+0,72	5,15	3,00	9,0	369	544	4,0	80,50	2215	1246	
J235	241		5,15	3,00	9,0	373	536	4,0	79,50	2240	1229	
J235	243		5,15	3,00	9,0	376	531	4,0	79,00	2260	1217	
J240	244		5,15	3,00	9,0	378	530	4,0	79,00	2270	1214	
J240	246		5,15	3,00	9,0	380	525	4,0	77,50	2285	1204	
J242	248		5,15	3,00	9,0	385	521	4,0	77,00	2310	1194	
J245	251	+0,81	5,15	3,00	9,0	389	514	4,0	76,50	2335	1178	
J245	253		5,15	3,00	9,0	392	509	4,0	76,00	2365	1167	
J250	254		5,15	3,00	9,0	394	507	4,0	75,50	2365	1163	
J250	256		5,15	3,00	9,0	396	504	4,0	75,00	2380	1155	
J252	260		5,15	4,00	12,0	535	557	4,0	83,00	3215	1277	
J255	263		5,15	4,00	12,0	541	549	4,0	81,50	3250	1259	
J255	265		5,15	4,00	12,0	546	545	4,0	81,00	3280	1249	
J260	266		5,15	4,00	12,0	548	543	4,0	80,50	3290	1244	
J260	268		5,15	4,00	12,0	553	538	4,0	80,00	3320	1234	
J262	270		5,15	4,00	12,0	556	535	4,0	79,00	3340	1227	
J265	273		5,15	4,00	12,0	563	528	4,0	78,50	3380	1210	
J265	275		5,15	4,00	12,0	566	524	4,0	78,00	3400	1201	
J270	276		5,15	4,00	12,0	570	522	4,0	77,50	3420	1196	
J270	278		5,15	4,00	12,0	573	518	4,0	77,00	3440	1188	
J272	280		5,15	4,00	12,0	577	515	4,0	76,50	3465	1180	
J275	283		5,15	4,00	12,0	585	509	4,0	75,50	3510	1167	
J275	285		5,15	4,00	12,0	587	505	4,0	75,00	3525	1158	
J280	286		5,15	4,00	12,0	590	504	4,0	75,00	3540	1154	
J280	288		5,15	4,00	12,0	593	499	4,0	74,00	3560	1145	
J282	290		5,15	4,00	12,0	599	497	4,0	74,00	3595	1138	
J285	293		5,15	4,00	12,0	605	491	4,0	73,00	3630	1124	
J285	295		5,15	4,00	12,0	610	487	4,0	72,00	3660	1117	
J290	296		5,15	4,00	12,0	611	485	4,0	72,00	3670	1111	
J290	298		5,15	4,00	12,0	615	482	4,0	71,50	3695	1104	
J292	300		5,15	4,00	12,0	620	479	4,0	71,00	3720	1098	
J295	303		5,15	4,00	12,0	625	474	4,0	70,50	3755	1087	
J295	305		5,15	4,00	12,0	630	471	4,0	70,50	3780	1079	
J300	306		5,15	4,00	12,0	631	469	4,0	69,50	3790	1075	
J300	308		5,15	4,00	12,0	636	466	4,0	69,00	3820	1068	

Rings for bores

DIN 472/D1300/J



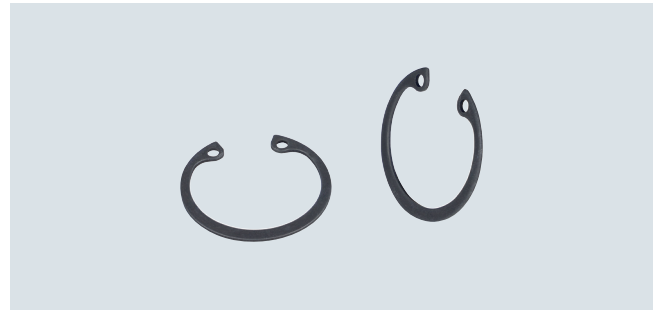
d_1	Part number	s	Tolerance	d_3	Tolerance	a max.	b ≈	d_5 min.	C_1	C_2	Weight [kg/1000]
305	J305	6,00	- 0,15	322,0	+2,00		20,0	6,0			755
310	J310	6,00		327,0	- 0,90		20,0	6,0			770
315	J315	6,00		332,0			20,0	6,0			785
320	J320	6,00		337,0			20,0	6,0			800
325	J325	6,00		342,0			20,0	6,0			810
330	J330	6,00		347,0			20,0	6,0			820
335	J335	6,00		352,0			20,0	6,0			830
340	J340	6,00		357,0			20,0	6,0			840
345	J345	6,00		362,0			20,0	6,0			855
350	J350	6,00		367,0			20,0	6,0			870
355	J355	6,00		372,0			20,0	6,0			880
360	J360	6,00		377,0			20,0	6,0			890
365	J365	6,00		382,0			20,0	6,0			906
370	J370	6,00		387,0			20,0	6,0			920
375	J375	6,00		392,0			20,0	6,0			932
380	J380	6,00		397,0			20,0	6,0			940
385	J385	6,00		402,0	+2,00		20,0	6,0			950
390	J390	6,00		407,0	- 1,00		20,0	6,0			960
395	J395	6,00		412,0			20,0	6,0			972
400	J400	6,00		417,0			20,0	6,0			980
410	J410	7,00		430,0			26,0	6,0			1380
420	J420	7,00		440,0			26,0	6,0			1410
430	J430	7,00		450,0			26,0	6,0			1440
440	J440	7,00		460,0			26,0	6,0			1470
450	J450	7,00		470,0			26,0	6,0			1510
460	J460	7,00		480,0			26,0	6,0			1550
470	J470	7,00		490,0			26,0	6,0			1595
480	J480	7,00		500,0			26,0	6,0			1640
490	J490	7,00		510,0	+3,00		26,0	6,0			1685
500	J500	7,00		520,0	- 1,50		26,0	6,0			1730
510	J510	8,00		535,0			26,0	6,0			2250
520	J520	8,00		545,0			26,0	6,0			2290
530	J530	8,00		555,0			26,0	6,0			2335
540	J540	8,00		565,0			26,0	6,0			2380
550	J550	8,00		575,0			26,0	6,0			2430



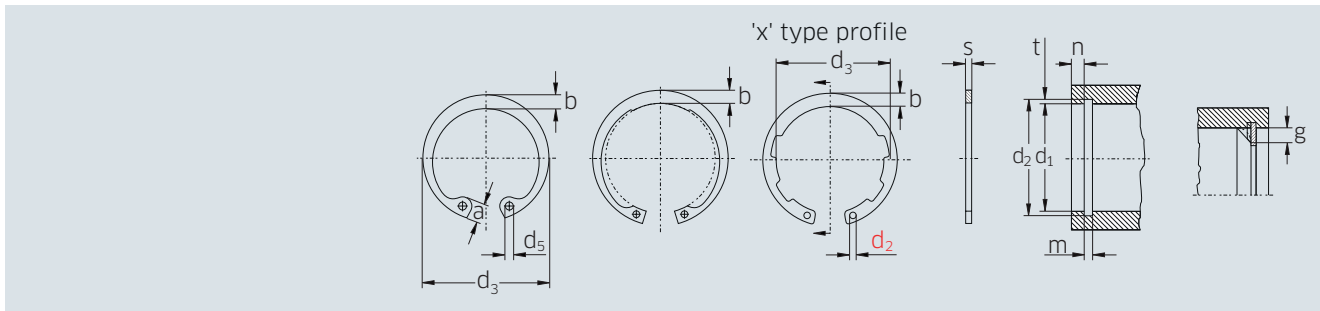
Part number	d_2	Tolerance	Data									Article No.
			m min.	t	n	FN [kN]	FR [kN]	g	FRg [kN]	AN [mm ²]	K [kN·mm ²]	
J305	315	+0,81	6,20	5,00	15,0	810	961	5,0	114,00	4860	2202	
J310	320	+0,89	6,20	5,00	15,0	823	947	5,0	113,00	4940	2169	
J315	325		6,20	5,00	15,0	837	934	5,0	111,00	5027	2140	
J320	330		6,20	5,00	15,0	850	919	5,0	109,00	5100	2105	
J325	335		6,20	5,00	15,0	864	906	5,0	108,00	5184	2076	
J330	340		6,20	5,00	15,0	876	894	5,0	106,00	5260	2048	
J335	345		6,20	5,00	15,0	890	880	5,0	105,00	5341	2017	
J340	350		6,20	5,00	15,0	903	869	5,0	104,00	5420	1991	
J345	355		6,20	5,00	15,0	916	857	5,0	102,00	5498	1964	
J350	360		6,20	5,00	15,0	929	846	5,0	101,00	5575	1938	
J355	365		6,20	5,00	15,0	942	834	5,0	99,00	5655	1910	
J360	370		6,20	5,00	15,0	955	823	5,0	98,00	5730	1886	
J365	375		6,20	5,00	15,0	968	813	5,0	97,00	5812	1862	
J370	380		6,20	5,00	15,0	981	803	5,0	95,00	5890	1839	
J375	385		6,20	5,00	15,0	994	793	5,0	94,00	5969	1817	
J380	390		6,20	5,00	15,0	1008	784	5,0	93,00	6050	1796	
J385	395		6,20	5,00	15,0	1021	774	5,0	92,00	6126	1774	
J390	400		6,20	5,00	15,0	1033	764	5,0	91,00	6200	1751	
J395	405	+1,00	6,20	5,00	15,0	1047	756	5,0	90,00	6283	1732	
J400	410		6,20	5,00	15,0	1060	746	5,0	89,00	6360	1710	
J410	422		7,20	6,00	18,0	1307	1512	6,0	150,00	7842	3463	
J420	432		7,20	6,00	18,0	1338	1480	6,0	147,00	8030	3391	
J430	442		7,20	6,00	18,0	1369	1446	6,0	144,00	8219	3312	
J440	452		7,20	6,00	18,0	1401	1418	6,0	141,00	8407	3248	
J450	462		7,20	6,00	18,0	1431	1388	6,0	138,00	8590	3180	
J460	472		7,20	6,00	18,0	1464	1360	6,0	135,00	8784	3116	
J470	482		7,20	6,00	18,0	1495	1330	6,0	132,00	8973	3048	
J480	492		7,20	6,00	18,0	1526	1306	6,0	130,00	9161	2991	
J490	502		7,20	6,00	18,0	1558	1280	6,0	127,00	9349	2931	
J500	512		7,20	6,00	18,0	1588	1256	6,0	125,00	9530	2878	
J510	524		8,20	7,00	21,0	1894	1834	7,0	156,00	11369	4201	
J520	534		8,20	7,00	21,0	1931	1802	7,0	153,00	11589	4128	
J530	544		8,20	7,00	21,0	1968	1768	7,0	150,00	11810	4049	
J540	554		8,20	7,00	21,0	2004	1738	7,0	148,00	12029	3981	
J550	564		8,20	7,00	21,0	2014	1711	7,0	145,00	12250	3919	

Rings for bores

DIN 472/D1300/J



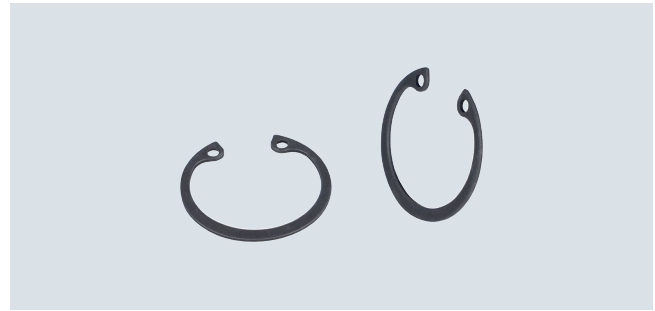
d_1	Part number	s	Tolerance	d_3	Tolerance	a max.	b ≈	d_5 min.	C_1	C_2	Weight [kg/1000]
560	J560	8,00	+3,00	585,0			26,0	6,0			2495
570	J570	8,00	- 1,50	595,0			26,0	6,0			2560
580	J580	8,00		605,0			26,0	6,0			2625
590	J590	8,00		615,0			26,0	6,0			2700
600	J600	8,00		625,0			26,0	6,0			2770
650	J650	9,00	- 0,20	680,0			34,0	6,0			3600
700	J700	9,00		730,0	+4,00		34,0	6,0			4120
750	J750	9,00		785,0	- 2,00		34,0	9,0			4540
800	J800	9,00		835,0			34,0	9,0			5450
850	J850	9,00		890,0			34,0	9,0			5990
900	J900	9,00		940,00			34,0	9,0			6740
950	J950	9,00		1000,00			34,0	9,0			7930
1000	J1000	9,00		1050,00			34,0	9,0			8880



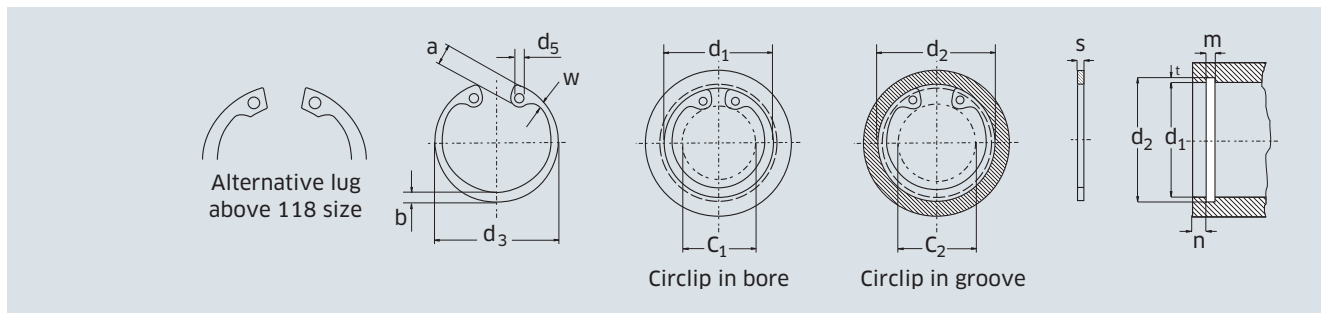
Part number	d_2	Tolerance	m	t	n	Data						Article No.
						FN [kN]	FR [kN]	g	FRg [kN]	AN [mm ²]	K [kN•mm ²]	
J560	574	+1,00	8,20	7,00	21,0	2078	1682	7,0	143	12469	3852	
J570	584		8,20	7,00	21,0	2114	1650	7,0	141	12689	3790	
J580	594		8,20	7,00	21,0	2151	1627	7,0	138	12909	3728	
J590	604		8,20	7,00	21,0	2188	1601	7,0	136	13129	3668	
J600	614		8,20	7,00	21,0	2221	1571	7,0	134	13330	3598	
J650	666		9,30	8,00	24,0	2753	2654	7,0	226	16520	6078	
J700	716		9,30	8,00	24,0	2966	2471	7,0	210	17800	5661	
J750	768		9,30	9,00	27,0	3566	2310	7,0	196	21400	5285	
J800	818		9,30	9,00	27,0	3800	2176	7,0	184	22800	4980	
J850	870		9,30	10,00	30,0	4500	2045	7,0	173	27000	4680	
J900	920		9,30	10,00	30,0	4766	1938	7,0	164	28600	4435	
J950	972		9,30	11,00	33,0	5608	1840	7,0	156	33650	4210	
J1000	1022		9,30	11,00	33,0	5825	1752	7,0	148	34950	4010	

Rings for bores

N1300/NJ



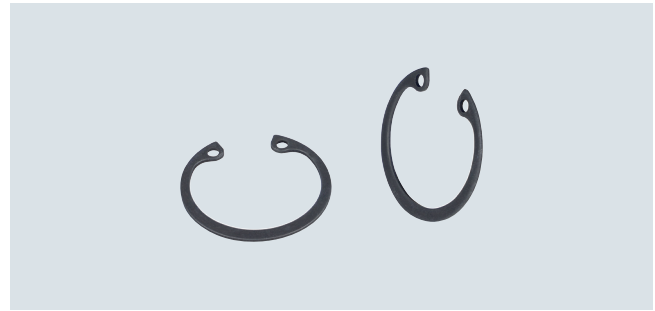
d_1	Part number	s	Tolerance	d_3	Tolerance	a max.	b	w	d_5 min.	C_1	C_2	Weight [lbs/1000]
0,250	NJ25	0,015	±0,002	0,280	+0,010	0,068	0,025	0,015	0,029	0,11	0,13	0,08
0,312	NJ31	0,015		0,346	-,005	0,069	0,033	0,018	0,029	0,17	0,19	0,11
0,375	NJ37	0,025		0,415		0,085	0,040	0,028	0,039	0,20	0,22	0,25
0,438	NJ43	0,025		0,482		0,101	0,049	0,029	0,039	0,23	0,25	0,37
0,453	NJ45	0,025		0,498		0,101	0,050	0,030	0,045	0,25	0,27	0,43
0,500	NJ50	0,035		0,548		0,117	0,053	0,035	0,045	0,26	0,29	0,70
0,512	NJ51	0,035		0,560		0,119	0,053	0,035	0,045	0,27	0,30	0,77
0,562	NJ56	0,035		0,620		0,137	0,053	0,035	0,045	0,28	0,32	0,86
0,625	NJ62	0,035		0,694		0,137	0,060	0,035	0,060	0,35	0,39	1,00
0,658	NJ68	0,035		0,763		0,137	0,063	0,036	0,060	0,41	0,45	1,20
0,750	NJ75	0,035		0,831		0,147	0,070	0,040	0,060	0,45	0,50	1,30
0,777	NJ77	0,042		0,859		0,151	0,074	0,044	0,060	0,47	0,52	1,70
0,812	NJ81	0,042		0,901	+0,015	0,160	0,077	0,044	0,060	0,49	0,53	1,90
0,866	NJ86	0,042		0,961	-,010	0,160	0,081	0,045	0,060	0,54	0,59	2,00
0,875	NJ87	0,042		0,971		0,160	0,084	0,045	0,060	0,55	0,60	2,10
0,901	NJ90	0,042		1,000		0,160	0,087	0,047	0,060	0,58	0,63	2,20
0,938	NJ93	0,042		1,041		0,160	0,091	0,050	0,060	0,61	0,67	2,40
1,000	NJ100	0,042		1,111		0,160	0,104	0,052	0,060	0,68	0,74	2,70
1,023	NJ102	0,042		1,136		0,160	0,106	0,054	0,060	0,70	0,76	2,80
1,062	NJ106	0,050		1,180	+0,025	0,185	0,110	0,055	0,076	0,69	0,75	3,70
1,125	NJ112	0,050		1,249	-,020	0,185	0,116	0,057	0,076	0,75	0,82	4,00
1,188	NJ118	0,050		1,319		0,185	0,120	0,058	0,076	0,81	0,88	4,30
1,250	NJ125	0,050		1,388		0,185	0,124	0,062	0,076	0,88	0,95	4,80
1,312	NJ131	0,050		1,456		0,185	0,130	0,062	0,076	0,94	1,02	5,00
1,375	NJ137	0,050		1,526		0,185	0,130	0,063	0,076	1,00	1,08	5,10
1,438	NJ143	0,050		1,596		0,185	0,133	0,065	0,076	1,06	1,15	5,80
1,456	NJ145	0,050		1,616		0,185	0,133	0,065	0,076	1,08	1,17	6,00
1,500	NJ150	0,050		1,660		0,185	0,133	0,066	0,076	1,13	1,22	6,10
1,562	NJ156	0,062	±0,003	1,734	+0,035	0,205	0,160	0,079	0,076	1,15	1,24	9,10
1,625	NJ162	0,062		1,804	-,025	0,205	0,160	0,080	0,076	1,21	1,31	10,10
1,653	NJ165	0,062		1,835		0,205	0,167	0,083	0,076	1,24	1,34	10,40
1,688	NJ168	0,062		1,874		0,205	0,170	0,085	0,076	1,27	1,38	10,80
1,750	NJ175	0,062		1,942		0,205	0,175	0,082	0,076	1,34	1,44	11,50
1,812	NJ181	0,062		2,012		0,205	0,170	0,084	0,091	1,40	1,51	12,00
1,850	NJ185	0,062		2,054		0,205	0,170	0,085	0,091	1,44	1,55	12,80



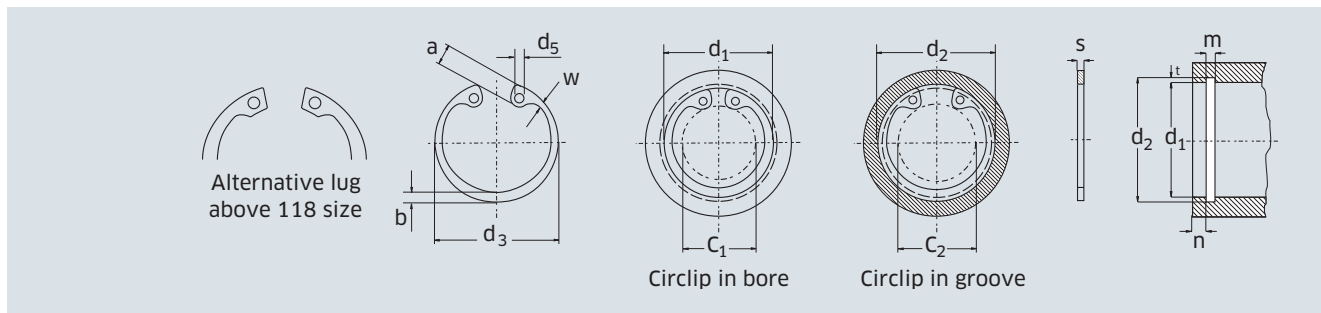
Part number	d_2	Tolerance	m	Tolerance	n min.	Data		
						Tc	Tg	Article No.
NJ25	0,268	±,001	0,018	+ ,001	0,027	530	130	
NJ31	0,330		0,018	- ,000	0,027	660	160	
NJ37	0,397	±,002	0,029	+ ,003	0,033	1320	235	
NJ43	0,461		0,029	- ,000	0,036	1550	285	
NJ45	0,477		0,029		0,036	1600	310	
NJ50	0,530		0,039		0,045	2470	425	
NJ51	0,542		0,039		0,045	2530	435	
NJ56	0,596		0,039		0,050	2780	540	
NJ62	0,665		0,039		0,060	3090	705	
NJ68	0,732		0,039		0,066	3400	853	
NJ75	0,796		0,039		0,069	3710	975	
NJ77	0,825	±,003	0,046		0,072	4610	1050	
NJ81	0,862		0,046		0,075	4820	1150	
NJ86	0,920		0,046		0,081	5140	1320	
NJ87	0,931		0,046		0,084	5190	1390	
NJ90	0,959		0,046		0,087	5350	1480	
NJ93	1,000		0,046		0,093	5570	1640	
NJ100	1,066		0,046		0,099	5940	1870	
NJ102	1,091		0,046		0,102	6070	1970	
NJ106	1,130	±,004	0,056	+ ,004	0,102	7500	2040	
NJ112	1,197		0,056	- ,000	0,108	7950	2290	
NJ118	1,262		0,056		0,111	8400	2490	
NJ125	1,330		0,056		0,120	8850	2830	
NJ131	1,396		0,056		0,126	9300	3120	
NJ137	1,461		0,056		0,129	9700	3340	
NJ143	1,528		0,056		0,135	10200	3660	
NJ145	1,548		0,056		0,138	10300	3790	
NJ150	1,594		0,056		0,141	10600	3990	
NJ156	1,658	±,005	0,068		0,144	11400	4240	
NJ162	1,735		0,068		0,150	11800	4590	
NJ165	1,755		0,068		0,153	12100	4760	
NJ168	1,792		0,068		0,156	12300	4860	
NJ175	1,858		0,068		0,162	12800	5340	
NJ181	1,922		0,068		0,165	13200	5630	
NJ185	1,962		0,068		0,168	13500	5860	

Rings for bores

N1300/NJ



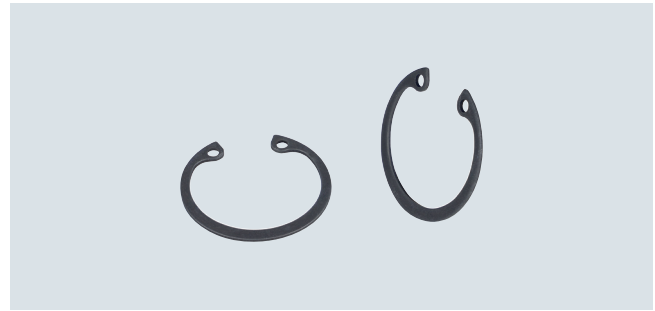
d_1	Part number	s	Tolerance	d_3	Tolerance	a max.	b ≈	w ~	d_5 min.	C_1	C_2	Weight [lbs/1000]
1,875	NJ187	0,062	±0,003	2,072	+0,035	0,205	0,170	0,085	0,091	1,46	1,58	12,8
1,938	NJ193	0,062		2,141	-0,025	0,205	0,165	0,079	0,091	1,52	1,64	13,3
2,000	NJ200	0,062		2,210		0,205	0,170	0,085	0,091	1,59	1,91	13,0
2,062	NJ206	0,078		2,280	+0,040	0,225	0,186	0,091	0,091	1,61	1,73	18,0
2,125	NJ212	0,078		2,350	-0,030	0,236	0,195	0,096	0,091	1,65	1,78	19,4
2,188	NJ218	0,078		2,415		0,236	0,199	0,098	0,091	1,71	1,84	19,6
2,250	NJ225	0,078		2,490		0,236	0,203	0,107	0,091	1,77	1,91	21,8
2,312	NJ231	0,078		2,560		0,236	0,205	0,106	0,091	1,84	1,98	22,6
2,375	NJ237	0,078		2,630		0,236	0,207	0,108	0,091	1,90	2,04	23,8
2,440	NJ244	0,078		2,702		0,236	0,205	0,104	0,108	1,96	2,11	25,3
2,500	NJ250	0,078		2,775		0,236	0,210	0,103	0,108	2,02	2,17	29,3
2,562	NJ256	0,093		2,844		0,268	0,222	0,109	0,108	2,02	2,18	30,4
2,625	NJ262	0,093		2,910		0,268	0,226	0,118	0,108	2,08	2,24	34,5
2,688	NJ268	0,093		2,980		0,268	0,236	0,122	0,108	2,15	2,31	36,2
2,750	NJ275	0,093		3,050		0,284	0,234	0,114	0,108	2,18	2,34	35,5
2,812	NJ281	0,093		3,121		0,284	0,230	0,115	0,108	2,24	2,40	39,2
2,875	NJ287	0,093		3,191		0,284	0,240	0,125	0,108	2,30	2,47	40,0
3,000	NJ300	0,093		3,325		0,284	0,250	0,124	0,108	2,43	2,60	42,5
3,062	NJ306	0,109		3,418	±0,055	0,299	0,254	0,126	0,123	2,46	2,64	54,4
3,125	NJ312	0,109		3,488		0,299	0,260	0,129	0,123	2,52	2,71	56,0
3,149	NJ315	0,109		3,523		0,299	0,260	0,129	0,123	2,55	2,74	57,1
3,250	NJ325	0,109		3,623		0,299	0,269	0,135	0,123	2,65	2,84	59,9
3,346	NJ334	0,109		3,734		0,323	0,276	0,140	0,123	2,69	2,89	63,0
3,469	NJ347	0,109		3,857		0,350	0,294	0,143	0,123	2,77	2,96	69,0
3,500	NJ350	0,109		3,890		0,350	0,294	0,143	0,123	2,80	2,90	71,0
3,543	NJ354	0,109		3,936		0,350	0,292	0,142	0,123	2,84	3,07	72,1
3,625	NJ362	0,109		4,024		0,350	0,298	0,149	0,123	2,92	3,13	73,0
3,750	NJ375	0,109		4,157	±0,065	0,350	0,309	0,155	0,123	3,04	3,26	78,0
3,875	NJ387	0,109		4,291		0,350	0,312	0,165	0,123	3,17	3,40	87,1
3,938	NJ393	0,109		4,358		0,350	0,319	0,166	0,123	3,23	3,46	87,9
4,000	NJ400	0,109		4,424		0,378	0,330	0,166	0,123	3,24	3,47	95,0
4,125	NJ412	0,109		4,558		0,378	0,330	0,171	0,123	3,36	3,60	97,0
4,250	NJ425	0,109		4,691		0,378	0,335	0,180	0,123	3,49	3,72	100,0
4,331	NJ433	0,109		4,756		0,413	0,345	0,180	0,151	3,50	3,73	107,0
4,500	NJ450	0,109		4,940		0,413	0,351	0,181	0,151	3,67	3,90	111,0



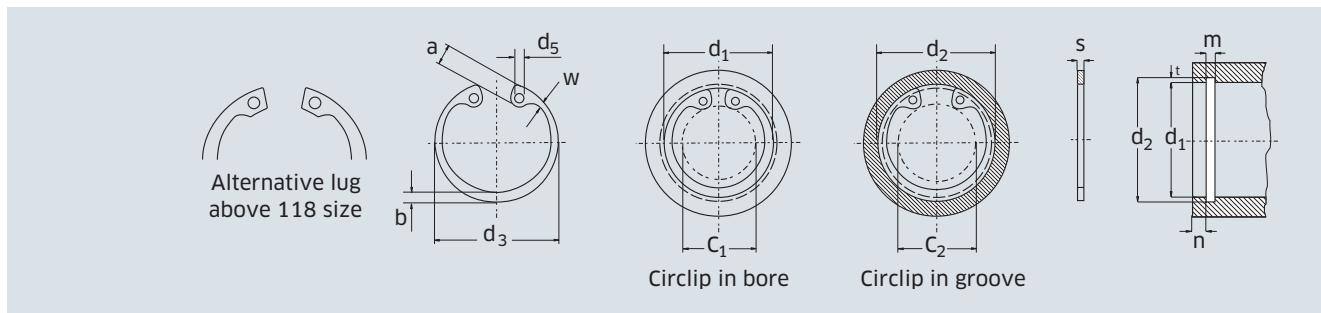
Part number	d_2	Tolerance	m	Tolerance	n min.	Data		
						Tc	Tg	Article No.
NJ187	1,989	±,005	0,068	+,004	0,171	13700	6040	
NJ193	2,056		0,068	-,000	0,177	14100	6470	
NJ200	2,122	±,006	0,068	+,005	0,183	14600	6900	
NJ206	2,186		0,086	-,000	0,186	18900	7230	
NJ212	2,251		0,086		0,189	19500	7570	
NJ218	2,318		0,086		0,195	20000	8040	
NJ225	2,382		0,086		0,198	20600	8400	
NJ231	2,450		0,086		0,207	21200	9020	
NJ237	2,517		0,086		0,213	21700	9540	
NJ244	2,584		0,086		0,216	22300	10100	
NJ250	2,648		0,086		0,222	22300	10460	
NJ256	2,714		0,103		0,228	28000	11000	
NJ262	2,781		0,103		0,234	28600	11600	
NJ268	2,848		0,103		0,240	29300	12200	
NJ275	2,914		0,103		0,246	30000	12800	
NJ281	2,980		0,103		0,252	30800	13400	
NJ287	3,051		0,103		0,264	31500	14300	
NJ300	3,182		0,103		0,273	32900	15400	
NJ306	3,248		0,120		0,279	39300	16100	
NJ312	3,315		0,120		0,285	40100	16800	
NJ315	3,348		0,120		0,288	40400	17100	
NJ325	3,446		0,120		0,294	41700	18000	
NJ334	3,546		0,120		0,300	43000	18900	
NJ347	3,675		0,120		0,309	44500	20200	
NJ350	3,710		0,120		0,315	44900	20800	
NJ354	3,776		0,120		0,321	45500	21400	
NJ362	3,841		0,120		0,324	46500	22100	
NJ375	3,974		0,120		0,336	48200	23700	
NJ387	4,107		0,120		0,348	49800	25400	
NJ393	4,174		0,120		0,354	50600	26300	
NJ400	4,240		0,120		0,360	51400	27000	
NJ412	4,365		0,120		0,360	53000	28000	
NJ425	4,490		0,120		0,360	54600	28800	
NJ433	4,571		0,120		0,360	55600	29400	
NJ450	4,740		0,120		0,360	57800	30500	

Rings for bores

N1300/NJ



d_1	Part number	s	Tolerance	d_3	Tolerance	a max.	b ≈	w ~	d_5 min.	C_1	C_2	Weight [lbs/1000]
4,625	NJ462	0,109	±0,003	5,076	±0,65	0,413	0,360	0,185	0,151	3,79	4,03	119,0
4,750	NJ475	0,109		5,213		0,413	0,370	0,175	0,151	3,92	4,16	124,0
5,000	NJ500	0,109		5,485		0,445	0,395	0,218	0,151	4,10	4,36	136,0
5,250	NJ525	0,125	±0,004	5,770		0,465	0,408	0,212	0,151	4,31	4,58	175,0
5,375	NJ537	0,125		5,910		0,465	0,408	0,198	0,151	4,44	4,71	179,0
5,500	NJ550	0,125		6,066		0,465	0,408	0,200	0,151	4,56	4,83	189,0
5,750	NJ575	0,125		6,336		0,465	0,408	0,198	0,151	4,81	5,08	195,0
6,000	NJ600	0,125		6,620		0,465	0,416	0,223	0,151	5,06	5,33	204,0
6,250	NJ625	0,156	±0,005	6,895	±0,80	0,454	0,441	0,213	0,182	5,34	5,61	263,0
6,500	NJ650	0,156		7,170		0,454	0,441	0,244	0,182	5,59	5,87	281,0
6,662	NJ662	0,156		7,308		0,454	0,441	0,220	0,182	5,71	6,01	300,0
6,750	NJ675	0,156		7,445		0,508	0,456	0,224	0,182	5,73	6,03	325,0
7,000	NJ700	0,156		7,720		0,540	0,485	0,258	0,182	5,91	6,22	344,0
7,250	NJ725	0,187		7,995	±0,90	0,570	0,490	0,239	0,182	6,10	6,42	428,0
7,500	NJ750	0,187		8,270		0,570	0,507	0,282	0,182	6,35	6,69	476,0
7,750	NJ775	0,187		8,545		0,560	0,500	0,241	0,182	6,62	6,97	520,0
8,000	NJ800	0,187		8,820		0,600	0,550	0,280	0,182	6,79	7,15	555,0
8,250	NJ825	0,187		9,095		0,600	0,548	0,260	0,182	7,04	7,41	603,0
8,500	NJ850	0,187		9,285		0,632	0,573	0,277	0,182	7,23	7,60	634,0
8,750	NJ875	0,187		9,558		0,632	0,576	0,283	0,182	7,48	7,88	653,0
9,000	NJ900	0,187		9,830		0,632	0,592	0,294	0,182	7,73	8,13	732,0
9,250	NJ925	0,187		10,102		0,632	0,622	0,299	0,182	7,98	8,39	767,0
9,500	NJ950	0,187		10,375		0,632	0,622	0,354	0,182	8,23	8,65	803,0
9,750	NJ975	0,187		10,648			0,622	0,295	0,182	8,50	8,93	833,0
10,000	NJ1000	0,187		10,920			0,622	0,295	0,182	8,75	9,19	863,0



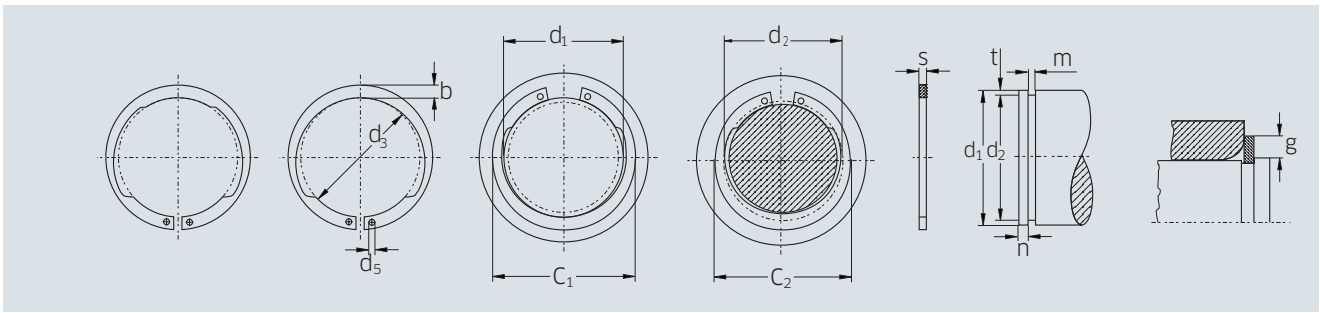
Part number	d_2	Tolerance	m	Tolerance	n min.	Data		
						Tc	Tg	Article No.
NJ462	4,865	±,006	0,120	+ ,005	0,360	59400	31400	
NJ475	4,995		0,120	- ,000	0,366	61000	32800	
NJ500	5,260		0,120		0,390	64200	36800	
NJ525	5,520	±,007	0,139	+ ,006	0,405	77300	40100	
NJ537	5,650		0,139	- ,000	0,405	78800	41000	
NJ550	5,770		0,139		0,405	81000	42000	
NJ575	6,020		0,139		0,405	84700	43900	
NJ600	6,270		0,139		0,405	88400	45800	
NJ625	6,530	±,008	0,174	+ ,008	0,420	114900	49500	
NJ650	6,790		0,174	- ,000	0,435	119500	53300	
NJ662	6,925		0,174		0,450	121700	56200	
NJ675	7,055		0,174		0,456	124000	58000	
NJ700	7,315		0,174		0,471	128600	62200	
NJ725	7,575		0,209		0,486	159700	66400	
NJ750	7,840		0,209		0,510	165200	72100	
NJ775	8,100		0,209		0,525	170700	76700	
NJ800	8,360		0,209		0,540	152700	81400	
NJ825	8,620		0,209		0,555	158500	86300	
NJ850	8,880		0,209		0,570	162300	91300	
NJ875	9,145		0,209		0,591	167000	97700	
NJ900	9,405		0,209		0,606	171800	103000	
NJ925	9,668		0,209		0,627	176600	109000	
NJ950	9,930		0,209		0,645	181400	116000	
NJ975	10,190		0,209		0,660	186200	121300	
NJ1000	10,450		0,209		0,675	191000	127200	

V-Rings for shafts

M1408/AV



d_1	Part number	s	Tolerance	d_3	Tolerance	b =	Tolerance	d_5 min.	C_1	C_2	Weight [kg/1000]
10	AV10	0,60	- 0,05	9,2	+0,10	1,8	±0,1	1,0	13,9	13,3	0,25
12	AV12	1,00	- 0,06	11,0	- 0,36	2,1		1,3	16,5	15,9	0,50
13	AV13	1,00		11,9		2,1		1,3	17,5	16,8	0,56
14	AV14	1,00		12,9		2,1		1,3	18,5	17,8	0,58
15	AV15	1,00		13,8		2,2		1,3	20,1	19,3	0,66
16	AV16	1,00		14,7		2,3		1,3	21,3	20,4	0,72
17	AV17	1,00		15,7		2,4		1,3	22,1	21,2	0,81
18	AV18	1,20		16,5		2,6		1,5	23,5	22,4	1,14
20	AV20	1,20		18,5	+0,13	2,8		1,5	25,9	24,8	1,43
21	AV21	1,20		19,35	- 0,42	2,8		1,5	27,0	25,8	1,53
22	AV22	1,20		20,5		3,0		1,5	28,7	27,2	1,63
23	AV23	1,20		21,5	+0,21	3,1		1,5	29,5	28,4	1,78
24	AV24	1,20		22,2	- 0,42	3,2		1,5	30,7	29,5	1,90
25	AV25	1,20		23,2		3,4		1,5	32,7	31,5	2,10
26	AV26	1,20		24,2		3,5		1,5	33,3	32,1	2,18
28	AV28	1,50		25,9		3,8		2,0	35,9	34,4	3,18
30	AV30	1,50		27,9		3,9		2,0	38,1	36,6	3,58
32	AV32	1,50		29,6		4,0		2,0	40,3	38,5	3,88
34	AV34	1,50		31,5	+0,25	3,5		2,0	41,3	39,5	3,60
35	AV35	1,50		32,2	- 0,50	4,2		2,0	43,7	41,6	4,53
38	AV38	1,75		34,5		4,5		2,0	47,6	45,0	5,50
40	AV40	1,75		36,5	+0,39	4,7	±0,2	2,0	50,0	47,3	6,49
42	AV42	1,75		38,5	- 0,90	4,7		2,0	52,0	49,3	6,51
45	AV45	1,75		41,5		4,7		2,0	55,0	52,3	7,80
47	AV47	1,75		43,5		5,0		2,0	57,6	54,9	8,09
48	AV48	1,75		44,5		5,2		2,0	59,0	56,3	8,48
50	AV50	2,00	- 0,07	45,8		5,2		2,5	61,0	57,8	9,84
55	AV55	2,00		50,8	+0,46	5,8		2,5	67,2	64,0	11,42
58	AV58	2,00		53,8	- 1,10	5,8		2,5	70,2	67,0	13,00
60	AV60	2,00		55,8		5,8		2,5	72,2	69,0	13,80
65	AV65	2,50		60,8		6,0	±0,3	2,5	77,8	74,6	20,75
70	AV70	2,50		65,5		6,5		2,5	83,8	80,6	23,70
72	AV72	2,50		67,5		6,5		2,5	85,8	82,6	24,70
75	AV75	2,50		70,5		6,5		2,5	88,8	85,6	27,50
80	AV80	2,50		74,5		7,0		2,5	94,8	91,1	28,90



Data

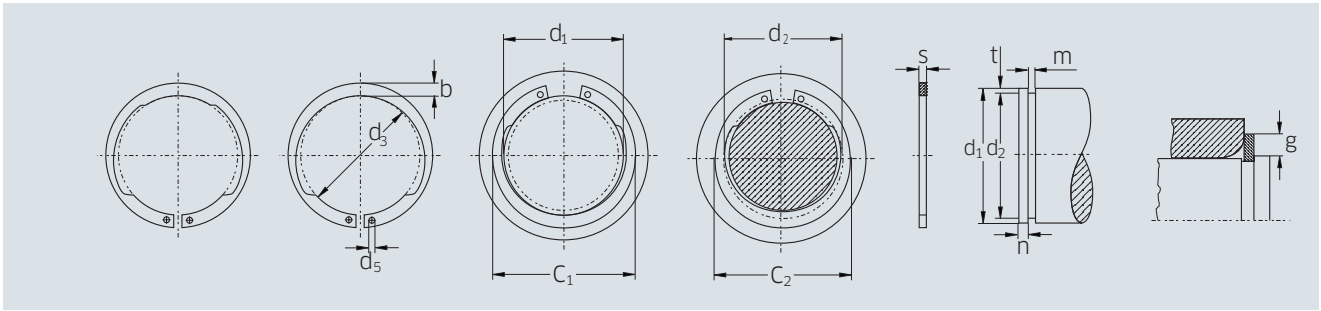
Part number	d ₂	Tolerance	m min.	t	n	FN [kN]	FR [kN]	g	FRg [kN]	AN [mm ²]	K [kN·mm ²]	ⁿ det. x1000 [rpm]	Article No.
AV10	9,5	- 0,11	0,70	0,25	0,7	0,62	1,4	1,0	1,0	3,8	5,7	84	
AV12	11,5		1,10	0,25	0,7	0,70	4,5	1,0	2,4	4,2	21,6	79	
AV13	12,4		1,10	0,30	0,9	0,90	5,5	1,0	2,4	5,4	20,8	64	
AV14	13,4		1,10	0,30	0,9	0,97	6,0	1,0	2,4	5,8	19,2	56	
AV15	14,3		1,10	0,35	1,0	1,22	6,5	1,0	2,4	7,3	19,3	50	
AV16	15,2		1,10	0,40	1,2	1,48	7,0	1,0	2,5	8,9	18,7	45	
AV17	16,2		1,10	0,40	1,2	1,57	8,1	1,0	2,6	9,4	18,2	41	
AV18	17,0		1,30	0,50	1,5	2,07	14,8	1,5	3,2	12,4	32,6	39	
AV20	19,0	- 0,15	1,30	0,50	1,5	2,30	14,6	1,5	3,1	13,8	30,1	32	
AV21	20,0		1,30	0,50	1,5	2,42	14,4	1,5	3,1	14,5	29,9	29	
AV22	21,0		1,30	0,50	1,5	2,53	14,2	1,5	3,1	15,2	29,7	27	
AV23	22,0		1,30	0,50	1,5	2,66	14,0	1,5	3,1	16,0	29,0	25	
AV24	22,9	- 0,21	1,30	0,55	1,6	3,03	14,0	1,5	3,1	18,2	28,8	27	
AV25	23,9		1,30	0,55	1,6	3,18	14,1	1,5	3,2	19,1	28,8	25	
AV26	24,9		1,30	0,55	1,6	3,30	14,1	1,5	3,2	19,8	28,4	25	
AV28	26,6		1,60	0,70	2,1	4,50	28,0	1,5	6,4	27,0	56,0	22	
AV30	28,6		1,60	0,70	2,1	4,86	27,5	1,5	6,3	29,2	53,5	19	
AV32	30,3	- 0,25	1,60	0,85	2,5	6,25	27,0	2,0	4,7	37,0	52,0	17	
AV34	32,3		1,60	0,85	2,5	6,67	26,6	2,0	4,6	40,0	50,5	15	
AV35	33,0		1,60	1,00	2,5	8,00	26,6	2,0	4,6	48,0	50,1	16	
AV38	35,8		1,85	1,10	3,3	10,60	42,0	2,0	7,8	64,0	77,0	15	
AV40	37,5		1,85	1,25	3,8	12,60	42,0	2,0	7,8	75,0	77,0	15	
AV42	39,5		1,85	1,25	3,8	13,30	42,0	2,0	7,8	80,0	76,0	13	
AV45	42,5		1,85	1,25	3,8	14,30	41,5	2,0	7,8	86,0	75,0	11	
AV47	44,5		1,85	1,25	3,8	15,00	41,0	2,0	7,8	90,0	73,5	10	
AV48	45,5		1,85	1,25	3,8	15,80	41,0	2,0	7,8	95,0	73,5	10	
AV50	47,0		2,15	1,50	4,5	19,20	58,0	2,0	11,6	115,0	108,0	10	
AV55	52,0	- 0,30	2,15	1,50	4,5	21,00	58,0	2,5	9,3	126,0	104,0	9	
AV58	55,0		2,15	1,50	4,5	22,20	56,0	2,5	9,2	133,0	100,0	8	
AV60	57,0		2,15	1,50	4,5	23,00	55,5	2,5	9,1	138,0	99,0	7	
AV65	62,0		2,65	1,50	4,5	24,80	104,0	2,5	17,6	149,0	187,0	6	
AV70	67,0		2,65	1,50	4,5	27,00	103,0	2,5	17,6	162,0	185,0	6	
AV72	69,0		2,65	1,50	4,5	27,70	104,0	2,5	18,0	166,0	187,0	6	
AV75	72,0		2,65	1,50	4,5	29,20	100,0	2,5	17,7	175,0	182,0	5	
AV80	76,5		2,65	1,75	5,3	36,60	96,0	3,0	14,6	220,0	175,0	6	

V-Rings for shafts

M1408/AV



d_1	Part number	s	Tolerance	d_3	Tolerance	b	\pm	Tolerance	d_5 min.	C_1	C_2	Weight [kg/1000]
82	AV82	2,50	- 0,07	76,5	+0,46	7,0		$\pm 0,3$	2,5	96,8	93,1	29,65
85	AV85	3,00	- 0,08	79,5	- 1,10	7,4			3,0	100,6	96,9	39,50
87	AV87	3,00		81,5	+0,54	7,4			3,0	102,6	98,9	40,00
90	AV90	3,00		84,5	- 1,300	7,4			3,0	105,6	101,9	41,92
95	AV95	3,00		89,5		8,0			3,0	111,8	108,1	47,70
100	AV100	3,00		94,5		8,0			3,0	116,8	113,1	49,92



Data

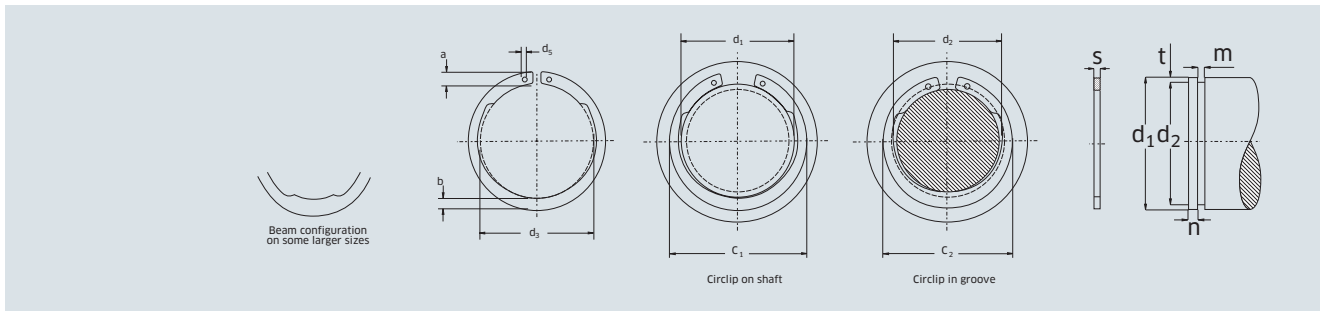
Part number	d_2	Tolerance	m min.	t	n	FN [kN]	FR [kN]	g	FRg [kN]	AN [mm ²]	K [kN·mm ²]	^o det. x1000 [rpm]	Article No.
AV82	78,5	-0,35	2,65	1,75	5,3	37,40	100,0	3,0	15,4	225,0	184,0	5	
AV85	81,5		3,15	1,75	5,3	38,30	167,0	3,0	25,6	230,0	300,0	5	
AV87	83,5		3,15	1,75	5,3	39,20	164,0	3,0	25,5	235,0	297,0	5	
AV90	86,5		3,15	1,75	5,3	41,70	157,0	3,0	24,8	250,0	288,0	4	
AV95	91,5		3,15	1,75	5,3	42,70	152,0	3,5	21,0	256,0	285,0	4	
AV100	96,5		3,15	1,75	5,3	45,80	144,0	3,5	20,5	275,0	276,0	4	

V-Rings for shafts

N1408/NAV



d_1	Part number	s	Tolerance	d_3	Tolerance	a max.	b ≈	d_5 min.	C_1	C_2	Weight [lbs/1000]
0,500	NAV50	0,035	±0,002	0,461	+ ,005	0,080	0,080	0,040	0,67	0,64	1,0
0,562	NAV56	0,035		0,521	- ,010	0,088	0,088	0,040	0,75	0,72	1,4
0,594	NAV59	0,035		0,550		0,092	0,092	0,040	0,79	0,75	1,6
0,625	NAV62	0,035		0,579		0,096	0,096	0,040	0,83	0,79	1,6
0,688	NAV68	0,042		0,635		0,104	0,104	0,040	0,91	0,87	2,5
0,750	NAV75	0,042		0,693		0,112	0,112	0,040	0,99	0,94	2,8
0,781	NAV78	0,042		0,722		0,116	0,116	0,040	1,04	0,98	3,1
0,812	NAV81	0,042		0,751		0,120	0,120	0,048	1,08	1,02	3,3
0,875	NAV87	0,042		0,810		0,128	0,128	0,048	1,16	1,08	3,8
0,938	NAV93	0,042		0,867		0,136	0,136	0,048	1,24	1,18	4,5
1,000	NAV100	0,042		0,925		0,144	0,144	0,048	1,32	1,24	4,9
1,062	NAV106	0,050		0,982	+ ,010	0,147	0,147	0,076	1,38	1,31	6,2
1,125	NAV112	0,050		1,041	- ,015	0,150	0,150	0,076	1,45	1,38	6,7
1,188	NAV118	0,050		1,098		0,153	0,153	0,076	1,52	1,44	7,2
1,250	NAV125	0,050		1,156		0,157	0,157	0,076	1,59	1,51	7,6
1,312	NAV131	0,050		1,214		0,161	0,161	0,076	1,66	1,57	8,2
1,375	NAV137	0,050		1,272		0,165	0,165	0,076	1,73	1,64	8,4
1,438	NAV143	0,050		1,333		0,169	0,169	0,076	1,80	1,70	9,1
1,500	NAV150	0,050		1,387		0,173	0,173	0,076	1,87	1,77	9,8
1,562	NAV156	0,062	±0,003	1,446	+ ,013	0,178	0,178	0,076	1,95	1,86	12,9
1,625	NAV162	0,062		1,503	- ,020	0,183	0,183	0,076	2,02	1,93	13,4
1,750	NAV175	0,062		1,637		0,196	0,196	0,076	2,18	2,08	16,1
1,772	NAV177	0,062		1,637		0,196	0,196	0,076	2,20	2,10	16,1
1,812	NAV181	0,062		1,675		0,199	0,199	0,076	2,24	2,14	17,3
1,969	NAV196	0,062		1,819		0,212	0,212	0,076	2,43	2,32	20,5
2,000	NAV200	0,062		1,850		0,216	0,216	0,076	2,47	2,36	20,7
2,125	NAV212	0,078		1,993	+ ,015	0,219	0,219	0,118	2,62	2,50	30,0
2,156	NAV215	0,078		1,993	- ,025	0,229	0,229	0,118	2,65	2,53	30,0
2,500	NAV250	0,078		2,313		0,259	0,259	0,118	3,05	2,92	43,5
2,750	NAV275	0,093		2,543	+ ,020	0,280	0,280	0,118	3,34	3,20	57,9
2,875	NAV287	0,093		2,659	- ,030	0,290	0,290	0,118	3,49	3,34	64,5
3,155	NAV315	0,093		2,920		0,316	0,316	0,118	3,82	3,66	77,0
3,250	NAV325	0,093		3,006		0,324	0,324	0,118	3,93	3,76	77,0
3,500	NAV350	0,109		3,237		0,345	0,345	0,123	4,22	4,04	107,0
3,938	NAV393	0,109		3,642		0,368	0,368	0,123	4,71	4,51	123,0



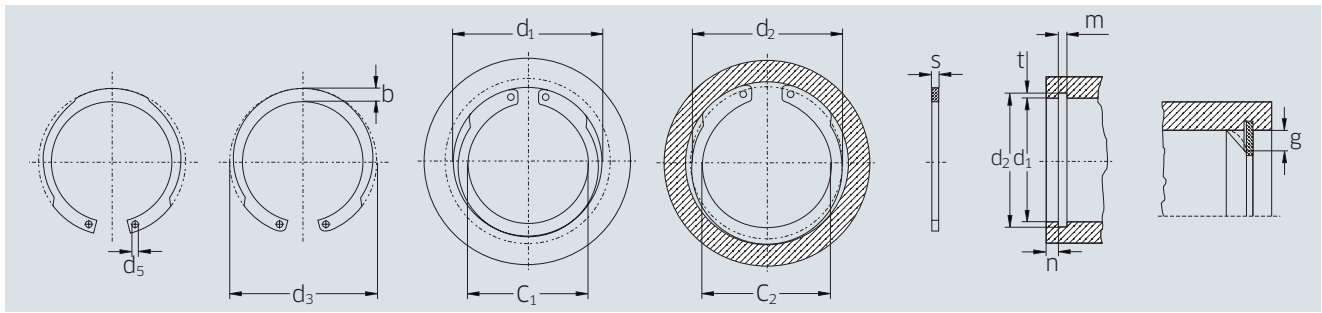
Part number	d ₂	Tolerance	m	Tolerance	n min.	Data		
						Tc	Tg	Article No.
NAV50	0,468	±,002	0,039	+,003	0,050	1240	226	
NAV56	0,530		0,039	-,000	0,050	1390	254	
NAV59	0,559	±,003	0,039		0,050	1470	294	
NAV62	0,588		0,039		0,050	1550	327	
NAV68	0,646		0,046		0,065	2040	409	
NAV75	0,704		0,046		0,070	2230	488	
NAV78	0,733		0,046		0,075	2320	530	
NAV81	0,762		0,046		0,075	2410	574	
NAV87	0,812		0,046		0,080	2600	668	
NAV93	0,882		0,046		0,085	2780	743	
NAV100	0,940		0,046		0,090	2970	848	
NAV106	0,998	±,004	0,056	+,004	0,096	3750	961	
NAV112	1,059		0,056	-,000	0,100	3980	1050	
NAV118	1,118		0,056		0,105	4200	1180	
NAV125	1,176		0,056		0,110	4420	1310	
NAV131	1,232		0,056		0,120	4540	1480	
NAV137	1,291		0,056		0,125	4360	1630	
NAV143	1,350		0,056		0,130	5080	1790	
NAV150	1,406		0,056		0,140	5940	1990	
NAV156	1,468	±,005	0,068		0,141	5705	2075	
NAV162	1,529		0,068		0,144	5935	2205	
NAV175	1,650		0,068		0,150	6390	2475	
NAV177	1,669		0,068		0,153	6470	2580	
NAV181	1,708		0,068		0,156	6615	2665	
NAV196	1,857		0,068		0,168	7190	3115	
NAV200	1,886		0,068		0,171	7300	3225	
NAV212	2,003	±,006	0,086	+,005	0,183	9765	3665	
NAV215	2,032		0,086	-,000	0,186	9905	3780	
NAV250	2,360		0,086		0,210	11490	4950	
NAV275	2,602		0,103		0,222	15060	5753	
NAV287	2,721		0,103		0,231	15750	6260	
NAV315	2,986		0,103		0,255	17280	7580	
NAV325	3,076		0,103		0,261	17800	8000	
NAV350	3,316		0,120		0,276	22470	9100	
NAV393	3,734		0,120		0,306	25280	11360	

V-Rings for bores

M1308/JV



d_1	Part number	s	Tolerance	d_3	Tolerance	b	Tolerance	d_5 min.	C_1	C_2	Weight [kg/1000]
10	JV10	0,60	- 0,05	10,9	+0,42	1,5	±0,1	0,9	6,7	7,3	0,15
12	JV12	0,60		13,1	-0,13	1,8		1,0	8,1	8,8	0,25
15	JV15	0,80		16,1		2,0		1,0	10,7	11,5	0,41
16	JV16	1,00	- 0,06	17,3		2,1		1,3	11,5	12,4	0,53
17	JV17	1,00		18,3		2,1		1,3	12,5	13,4	0,58
18	JV18	1,00		19,5		2,2		1,3	13,3	14,4	0,62
19	JV19	1,00		20,5		2,2		1,3	14,3	15,4	0,66
20	JV20	1,00		21,5		2,3		1,3	15,1	16,2	0,80
21	JV21	1,00		22,5		2,4		1,3	15,9	17,0	0,81
22	JV22	1,00		23,5		2,4		1,3	16,9	18,0	0,83
24	JV24	1,20		25,9	+0,42	2,8		1,5	18,1	19,4	1,30
25	JV25	1,20		26,9	-0,21	2,8		1,5	18,9	20,2	1,40
26	JV26	1,20		27,9		3,0		1,5	19,7	21,0	1,50
27	JV27	1,20		29,1		3,0		1,5	20,7	22,2	1,53
28	JV28	1,20		30,1	+0,50	3,1		1,5	21,5	23,0	1,80
30	JV30	1,20		32,1	-0,25	3,2		1,5	23,3	24,8	2,03
32	JV32	1,20		34,4		3,3		1,5	25,1	26,9	2,05
33	JV33	1,20		35,5		3,3		1,5	26,1	27,9	2,35
35	JV35	1,50		37,8		3,4		1,7	27,9	30,0	3,20
36	JV36	1,50		38,8		3,6		1,7	28,5	30,6	3,23
38	JV38	1,50		40,8		3,8		1,7	30,1	32,2	3,68
40	JV40	1,75		43,5	+0,90	4,2	±0,2	2,0	31,0	33,7	4,75
42	JV42	1,75		45,5	-0,39	4,2		2,0	33,0	35,7	5,20
45	JV45	1,75		48,5		4,2		2,0	35,6	38,7	6,00
47	JV47	1,75		50,5	+1,10	4,7		2,0	37,0	39,7	6,50
48	JV48	1,75		51,5	-0,46	4,7		2,0	38,0	40,7	7,00
50	JV50	2,00	- 0,07	54,2		5,2		2,5	39,0	42,2	8,50
52	JV52	2,00		56,2		5,2		2,5	41,0	44,2	9,00
55	JV55	2,00		59,2		5,2		2,5	44,0	47,2	10,00
57	JV57	2,00		61,2		5,2		2,5	46,0	49,2	10,25
58	JV58	2,00		62,2		5,2		2,5	47,0	50,2	10,50
60	JV60	2,00		64,2		5,2		2,5	49,0	52,2	11,25
62	JV62	2,00		66,2		5,2		2,5	51,0	54,2	11,75
65	JV65	2,50		69,2		5,7		2,5	52,2	56,0	16,25
67	JV67	2,50		71,5		5,7	±0,3	2,5	54,7	58,0	17,30



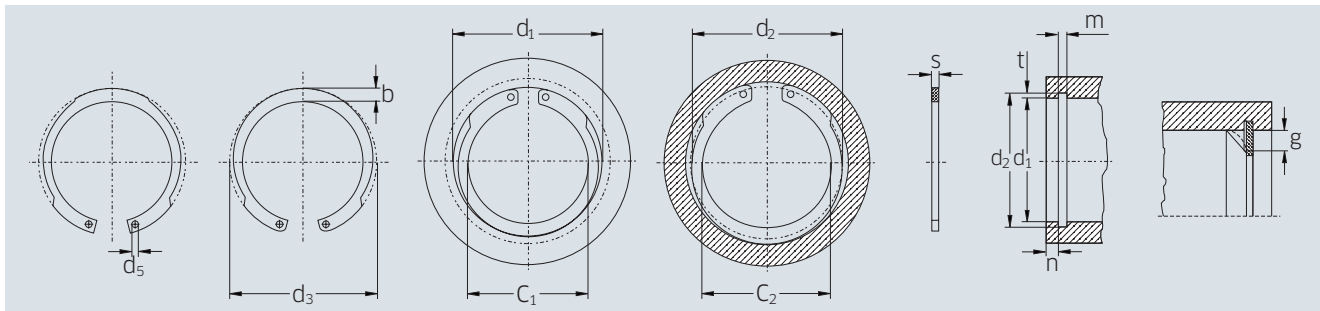
Part number	d ₂	Tolerance	Data		n	FN [kN]	FR [kN]	g	FRg [kN]	AN [mm ²]	K [kN/mm]	Article No.
			m min.	t								
JV10	10,5	+0,11	0,70	0,25	0,7	0,52	1,7	0,5	1,0	3,1	5,7	
JV12	12,6		0,70	0,30	0,9	0,75	1,8	0,8	1,0	4,5	5,5	
JV15	15,7		0,90	0,35	1,0	1,33	3,3	1,0	1,9	8,0	11,0	
JV16	16,8		1,10	0,40	1,2	1,67	5,2	1,0	3,1	10,0	22,7	
JV17	17,8		1,10	0,40	1,2	1,70	5,8	1,0	3,0	11,0	21,2	
JV18	19,0	+0,15	1,10	0,50	1,5	1,78	6,3	1,0	3,0	14,0	20,4	
JV19	20,0		1,10	0,50	1,5	2,50	6,6	1,0	2,8	15,0	19,2	
JV20	21,0		1,10	0,50	1,5	2,66	7,0	1,0	2,9	16,0	19,0	
JV21	22,0		1,10	0,50	1,5	2,73	7,4	1,0	2,8	17,0	18,5	
JV22	23,0		1,10	0,50	1,5	2,80	7,5	1,0	2,8	17,0	17,8	
JV24	25,2	+0,21	1,30	0,60	1,8	3,68	14,5	1,0	4,8	22,0	29,9	
JV25	26,2		1,30	0,60	1,8	4,00	14,8	1,0	5,0	24,0	30,6	
JV26	27,2		1,30	0,60	1,8	4,17	15,3	1,0	5,2	25,0	31,4	
JV27	28,4		1,30	0,70	2,1	5,00	15,0	1,0	5,1	30,0	29,9	
JV28	29,4		1,30	0,70	2,1	5,10	15,3	1,0	5,2	31,0	30,4	
JV30	31,4	+0,25	1,30	0,70	2,1	5,50	14,9	1,0	5,1	33,0	29,0	
JV32	33,7		1,30	0,85	2,5	7,00	14,1	1,0	4,9	42,0	27,4	
JV33	34,7		1,30	0,85	2,5	7,30	13,8	1,0	4,8	44,0	26,6	
JV35	37,0		1,60	1,00	3,0	9,20	26,4	1,5	6,3	55,0	49,6	
JV36	38,0		1,60	1,00	3,0	9,70	27,5	1,5	6,6	58,0	51,5	
JV38	40,0		1,60	1,00	3,0	10,20	28,0	1,5	6,7	61,0	51,2	
JV40	42,5		1,85	1,25	3,8	13,50	45,5	2,0	8,4	81,0	82,5	
JV42	44,5		1,85	1,25	3,8	14,10	45,5	2,0	8,5	85,0	82,5	
JV45	47,5		1,85	1,25	3,8	15,00	44,0	2,0	8,4	90,0	79,5	
JV47	49,5		1,85	1,25	3,8	15,80	45,0	2,0	8,7	95,0	81,3	
JV48	50,5	+0,30	1,85	1,25	3,8	16,00	48,0	2,0	9,1	96,0	85,8	
JV50	53,0		2,15	1,50	4,5	20,00	69,0	2,0	13,4	120,0	124,0	
JV52	55,0		2,15	1,50	4,5	20,80	66,5	2,0	13,3	125,0	121,0	
JV55	58,0		2,15	1,50	4,5	22,20	66,0	2,0	13,3	133,0	118,0	
JV57	60,0		2,15	1,50	4,5	23,00	65,0	2,0	13,1	138,0	115,0	
JV58	61,0		2,15	1,50	4,5	23,30	64,0	2,0	12,9	140,0	113,0	
JV60	63,0		2,15	1,50	4,5	24,20	62,0	2,0	12,7	145,0	111,0	
JV62	65,0		2,15	1,50	4,5	25,00	60,0	2,0	12,3	150,0	107,0	
JV65	68,0		2,65	1,50	4,5	25,80	122,0	2,5	20,6	155,0	218,0	
JV67	70,0		2,65	1,50	4,5	26,80	122,0	2,5	20,8	161,0	218,0	

V-Rings for bores

M1308/JV



d_1	Part number	s	Tolerance	d_3	Tolerance	b	Tolerance	d_5 min.	C_1	C_2	Weight [kg/1000]
68	JV68	2,50	- 0,07	72,5	+1,10	5,7	±0,3	2,5	55,7	59,0	17,75
72	JV72	2,50		76,5	-0,46	6,0		2,5	59,1	62,4	19,60
80	JV80	2,50		85,5	+1,30	6,0		2,5	67,1	70,9	22,90
85	JV85	3,00	- 0,08	90,5	-0,54	6,6		3,0	70,9	74,7	30,00
90	JV90	3,00		95,5		6,6		3,0	75,3	79,7	33,00
95	JV95	3,00		100,5		7,4		3,0	78,7	83,1	37,50
100	JV100	3,00		105,5		7,4		3,0	83,6	88,1	41,90



Data

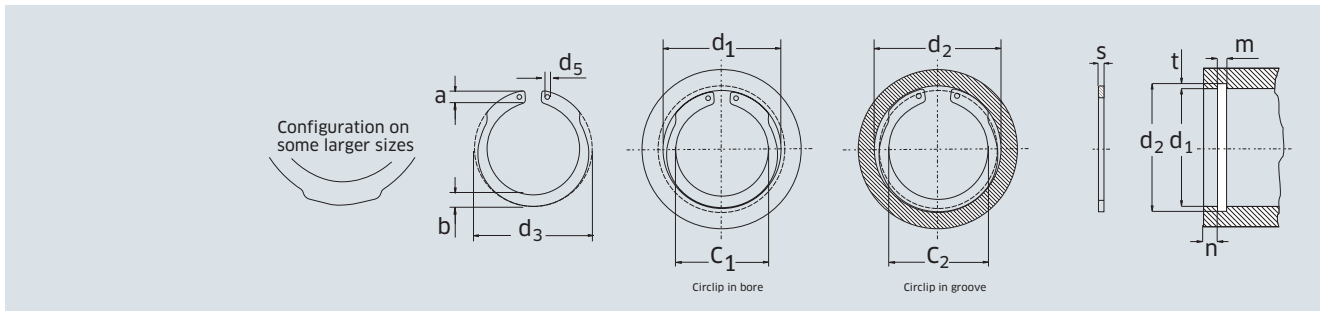
Part number	d_2	Tolerance	m min.	t	n	FN [kN]	FR [kN]	g	FRg [kN]	AN [mm ²]	K [kN/mm]	Article No.
JV68	71,0	+0,30	2,65	1,50	4,5	27,20	123,0	2,5	21,0	163	220,0	
JV72	75,0		2,65	1,50	4,5	28,80	119,0	2,5	20,8	173	214,0	
JV80	83,5	+0,35	2,65	1,75	5,3	37,40	110,0	2,5	19,6	224	196,0	
JV85	88,5		3,15	1,75	5,3	39,70	176,0	3,0	27,2	238	318,0	
JV90	93,5		3,15	1,75	5,3	42,00	169,0	3,0	26,6	252	309,0	
JV95	98,5		3,15	1,75	5,3	43,50	168,0	3,0	27,0	261	315,0	
JV100	103,5		3,15	1,75	5,3	46,70	165,0	3,0	26,8	280	312,0	

V-Rings for bores

N1308/NJV



d_1	Part number	s	Tolerance	d_3	Tolerance	a max.	b ≈	d_5 min.	C_1	C_2	Weight [lbs/1000]
0,625	NJV62	0,025	±0,002	0,675	+ ,010	0,072	0,072	0,028	0,47	0,51	0,7
0,750	NJV75	0,035		0,808	- ,005	0,085	0,085	0,040	0,56	0,61	1,3
0,812	NJV81	0,042		0,877		0,092	0,092	0,040	0,61	0,66	2,0
0,875	NJV87	0,042		0,944		0,099	0,099	0,040	0,66	0,72	2,2
0,938	NJV93	0,042		1,015		0,106	0,106	0,040	0,70	0,77	2,8
1,000	NJV100	0,042		1,081		0,113	0,113	0,040	0,75	0,83	2,9
1,062	NJV106	0,050		1,150	+ ,015	0,120	0,120	0,048	0,80	0,87	3,8
1,125	NJV112	0,050		1,217	- ,005	0,123	0,123	0,048	0,85	0,93	4,4
1,188	NJV118	0,050		1,283		0,126	0,126	0,048	0,91	0,99	4,9
1,250	NJV125	0,050		1,351		0,129	0,129	0,048	0,96	1,06	5,0
1,312	NJV131	0,050		1,418		0,132	0,132	0,048	1,02	1,12	5,3
1,375	NJV137	0,050		1,486		0,135	0,135	0,048	1,08	1,17	5,9
1,438	NJV143	0,050		1,552		0,144	0,144	0,074	1,13	1,24	6,3
1,500	NJV150	0,050		1,622		0,148	0,148	0,074	1,18	1,28	6,8
1,562	NJV156	0,062	±0,003	1,688	+ ,025	0,158	0,158	0,074	1,22	1,32	8,9
1,625	NJV162	0,062		1,756	- ,005	0,162	0,162	0,074	1,27	1,37	10,4
1,688	NJV168	0,062		1,823		0,170	0,170	0,074	1,32	1,42	11,9
1,750	NJV175	0,062		1,891		0,166	0,166	0,074	1,38	1,49	11,8
1,875	NJV187	0,062		2,025		0,188	0,188	0,074	1,47	1,58	14,8
2,000	NJV200	0,062		2,160		0,208	0,208	0,074	1,55	1,67	17,4
2,062	NJV206	0,078		2,224	+ ,030	0,218	0,218	0,092	1,59	1,71	23,2
2,125	NJV212	0,078		2,295	- ,020	0,223	0,223	0,092	1,65	1,77	24,3
2,375	NJV237	0,078		2,567		0,243	0,243	0,092	1,86	2,00	28,6
2,438	NJV243	0,078		2,634		0,248	0,248	0,092	1,91	2,05	30,6
2,500	NJV250	0,078		2,700		0,254	0,254	0,092	1,96	2,10	32,1



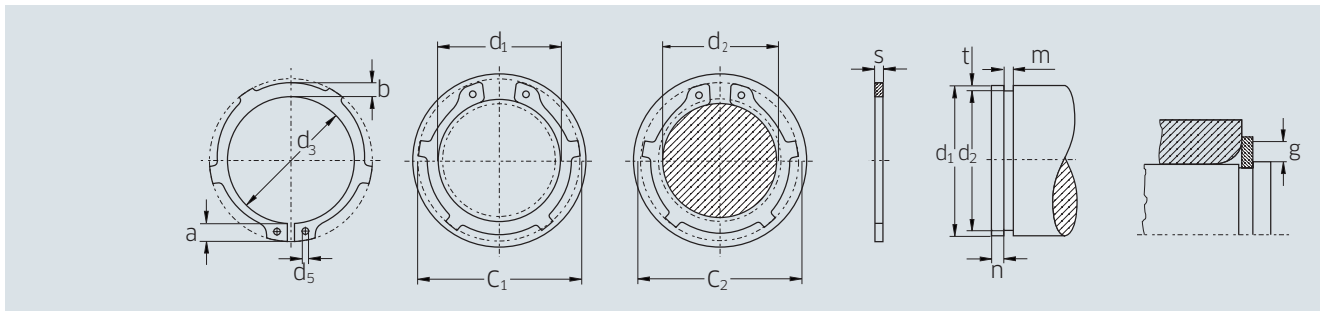
Part number	d_2	Tolerance	m	Tolerance	n min.	Data		
						Tc	Tg	Article No.
NJV62	0,665	±,002	0,029	+,003	0,060	1100	353	
NJV75	0,796		0,039	-,000	0,069	1850	201	
NJV81	0,862	±,003	0,046		0,075	2410	574	
NJV87	0,931		0,045		0,084	2600	693	
NJV93	1,000		0,046		0,093	2780	820	
NJV100	1,066		0,046		0,099	2970	933	
NJV106	1,130	±,004	0,056	+,004	0,102	3750	1020	
NJV112	1,197		0,056	-,000	0,108	3980	1140	
NJV118	1,262		0,056		0,111	4200	1240	
NJV125	1,330		0,056		0,120	4410	1410	
NJV131	1,396		0,056		0,126	4640	1560	
NJV137	1,461		0,056		0,129	4860	1670	
NJV143	1,528		0,056		0,135	5080	1830	
NJV150	1,594		0,056		0,141	5300	1990	
NJV156	1,658	±,005	0,068		0,144	5700	2120	
NJV162	1,725		0,068		0,150	5935	2300	
NJV168	1,792		0,068		0,156	6165	2480	
NJV175	1,858		0,068		0,162	6390	2670	
NJV187	1,989		0,068		0,171	6850	3020	
NJV200	2,122		0,068		0,183	7300	3450	
NJV206	2,186	±,006	0,086	+,005	0,186	9475	3615	
NJV212	2,251		0,086	-,000	0,189	9760	3785	
NJV237	2,517		0,086		0,213	10900	4770	
NJV243	2,584		0,086		0,216	11200	5030	
NJV250	2,648		0,086		0,222	11490	5230	

K-Rings for shafts

DIN 983/D2100/AK



d_1	Part number	s	Tolerance	d_3	Tolerance	a max.	b ≈	d_5 min.	C_1	C_2	Weight [kg/1000]
16	AK16	1,00	-0,06	14,7	+0,10	3,5	2,3	1,7	23,2	22,2	0,82
17	AK17	1,00		15,7	-0,36	3,6	2,4	1,7	24,4	23,4	0,93
18	AK18	1,20		16,5		3,7	2,5	2,0	25,6	24,4	1,24
19	AK19	1,20		17,5		3,7	2,6	2,0	26,6	25,4	1,35
20	AK20	1,20		18,5	+0,13	3,8	2,6	2,0	27,8	26,6	1,45
22	AK22	1,20		20,5	-0,42	4,0	2,8	2,0	30,2	29,0	1,77
23	AK23	1,20		21,5		4,1	2,9	2,0	31,4	30,2	1,84
24	AK24	1,20		22,2		4,2	3,0	2,0	32,6	31,3	1,98
25	AK25	1,20		23,2	+0,21	4,3	3,0	2,0	33,8	32,5	2,12
26	AK26	1,20		24,2	-0,42	4,4	3,1	2,0	35,0	33,7	2,18
28	AK28	1,50		25,9		4,5	3,3	2,0	37,3	35,6	3,15
29	AK29	1,50		26,9		4,7	3,4	2,0	38,7	37,0	3,35
30	AK30	1,50		27,9		4,7	3,4	2,0	39,7	37,9	3,65
32	AK32	1,50		29,6		5,0	3,6	2,5	42,4	40,3	4,00
34	AK34	1,50		31,5		5,1	3,8	2,5	44,6	42,5	4,15
35	AK35	1,50		32,2	+0,25	5,2	3,8	2,5	45,8	43,4	4,38
37	AK37	1,75		34,2	-0,50	5,4	4,0	2,5	48,2	45,8	6,30
38	AK38	1,75		35,2		5,5	4,1	2,5	49,4	47,0	6,50
40	AK40	1,75		36,5	+0,39	7,2	4,2	2,5	54,9	51,9	7,00
42	AK42	1,75		38,5	-0,90	7,2	4,5	2,5	56,9	53,9	7,50
45	AK45	1,75		41,5		7,2	4,6	2,5	59,9	56,9	8,50
47	AK47	1,75		43,5		7,2	4,8	2,5	61,9	58,9	8,70
48	AK48	1,75		44,5		7,2	4,9	2,5	62,9	59,9	8,90
50	AK50	2,00	-0,07	45,8		8,2	5,0	2,5	67,0	63,4	11,55
55	AK55	2,00		50,8	+0,46	8,2	5,4	2,5	72,0	68,4	12,99
57	AK57	2,00		52,8	1,10	8,2	5,6	2,5	74,0	70,4	14,00
58	AK58	2,00		53,8		8,2	5,7	2,5	75,0	71,4	14,30
60	AK60	2,00		55,8		8,2	5,8	2,5	77,0	73,4	14,80
62	AK62	2,00		57,8		8,2	5,9	2,5	79,0	75,4	15,90
65	AK65	2,50		60,8		10,2	6,2	3,0	86,0	82,4	21,70
67	AK67	2,50		62,5		10,2	6,4	3,0	88,0	84,4	22,60
68	AK68	2,50		63,5		10,2	6,5	3,0	89,0	85,4	23,50
70	AK70	2,50		65,5		10,2	6,6	3,0	91,0	87,4	25,10
75	AK75	2,50		70,5		10,2	7,0	3,0	96,2	92,4	28,20
80	AK80	2,50		74,5		10,2	7,4	3,0	101,2	96,9	30,75



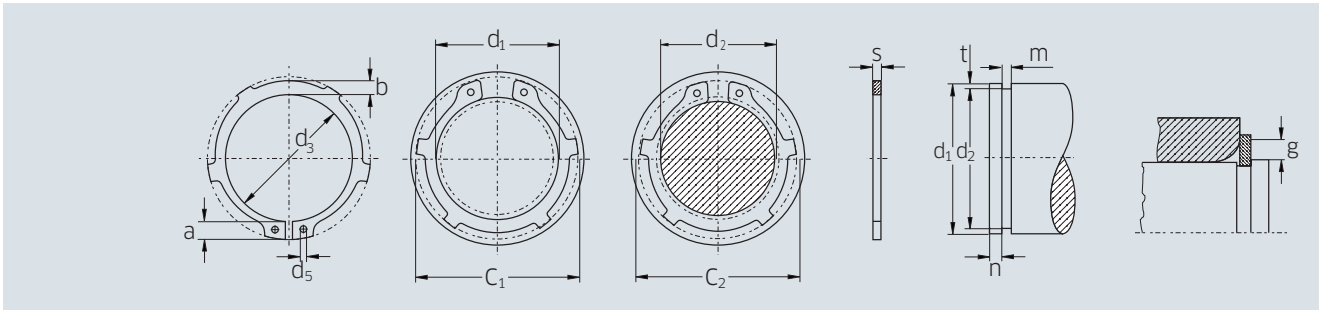
Part number	d_2	Tolerance	m min.	t	Data										Article No.
					n	FN [kN]	FR [kN]	g	FRg [kN]	AN [mm ²]	K [kN/mm]	^o det. x1000 (rpm)			
AK16	15,2	-0,11	1,10	0,40	1,2	3,26	7,4	1,0	2,4	19,6	21,0	4	45		
AK17	16,2		1,10	0,40	1,2	3,46	8,0	1,0	2,4	20,8	21,6	4	41		
AK18	17,0		1,30	0,50	1,5	4,58	17,0	1,5	3,7	27,5	37,1	4	38		
AK19	18,0		1,30	0,50	1,5	4,85	17,0	1,5	3,8	29,0	36,4	4	33		
AK20	19,0	-0,15	1,30	0,50	1,5	5,06	17,1	1,5	3,8	30,6	36,3	4	30		
AK22	21,0		1,30	0,50	1,5	5,65	16,9	1,5	3,8	33,8	35,4	4	26		
AK23	22,0		1,30	0,50	1,5	5,90	16,6	1,5	3,8	35,4	34,7	4	24		
AK24	22,9	-0,21	1,30	0,55	1,6	6,75	16,1	1,5	3,6	40,5	33,4	4	26		
AK25	23,9		1,30	0,55	1,6	7,05	16,2	1,5	3,7	42,3	33,4	4	24		
AK26	24,9		1,30	0,55	1,6	7,34	16,1	1,5	3,7	44,0	32,9	4	22		
AK28	26,6		1,60	0,70	2,1	10,00	32,1	1,5	7,5	60,0	65,0	4	20		
AK29	27,6		1,60	0,70	2,1	10,30	31,8	1,5	7,4	62,2	64,0	4	19		
AK30	28,6		1,60	0,70	2,1	10,70	32,1	1,5	7,6	64,4	64,2	4	18		
AK32	30,3	-0,25	1,60	0,85	2,5	13,80	31,2	2,0	5,5	83,1	61,8	4	16		
AK34	32,3		1,60	0,85	2,5	14,70	31,3	2,0	5,6	88,3	61,3	4	16		
AK35	33,0		1,60	1,00	3,0	17,80	30,8	2,0	5,5	106,0	60,1	4	15		
AK37	35,0		1,85	1,00	3,0	18,80	50,0	2,0	9,1	113,0	96,4	4	13		
AK38	36,0		1,85	1,00	3,0	19,30	49,5	2,0	9,1	116,0	95,0	4	13		
AK40	37,5		1,85	1,25	3,8	25,30	51,0	2,0	9,5	152,0	96,9	4	14		
AK42	39,5		1,85	1,25	3,8	26,70	50,0	2,0	9,4	160,0	93,7	4	13		
AK45	42,5		1,85	1,25	3,8	28,60	49,0	2,0	9,3	172,0	91,0	4	11		
AK47	44,5		1,85	1,25	3,8	30,00	49,5	2,0	9,5	180,0	90,7	4	10		
AK48	45,5		1,85	1,25	3,8	30,70	49,4	2,0	9,5	184,0	90,0	4	9		
AK50	47,0		2,15	1,50	4,5	38,00	73,3	2,0	14,4	228,0	133,0	4	10		
AK55	52,0	-0,30	2,15	1,50	4,5	42,00	71,4	2,5	11,4	252,0	130,0	4	8		
AK57	54,0		2,15	1,50	4,5	43,70	70,9	2,5	11,4	262,0	128,0	4	8		
AK58	55,0		2,15	1,50	4,5	44,30	71,1	2,5	11,5	266,0	129,0	4	8		
AK60	57,0		2,15	1,50	4,5	46,00	69,3	2,5	11,3	276,0	126,0	4	7		
AK62	59,0		2,15	1,50	4,5	47,50	69,3	2,5	11,4	285,0	126,0	4	7		
AK65	62,0		2,65	1,50	4,5	49,80	135,0	2,5	22,7	299,0	245,0	4	6		
AK67	64,0		2,65	1,50	4,5	51,30	136,0	2,5	23,0	308,0	245,0	4	7		
AK68	65,0		2,65	1,50	4,5	52,20	135,0	2,5	23,0	313,0	244,0	4	7		
AK70	67,0		2,65	1,50	4,5	53,80	134,0	2,5	23,0	323,0	241,0	4	6		
AK75	72,0		2,65	1,50	4,5	57,60	130,0	2,5	22,8	346,0	234,0	4	6		
AK80	76,5		2,65	1,75	5,3	71,60	128,0	3,0	19,5	430,0	236,0	4	6		

K-Rings for shafts

DIN 983/D2100/AK



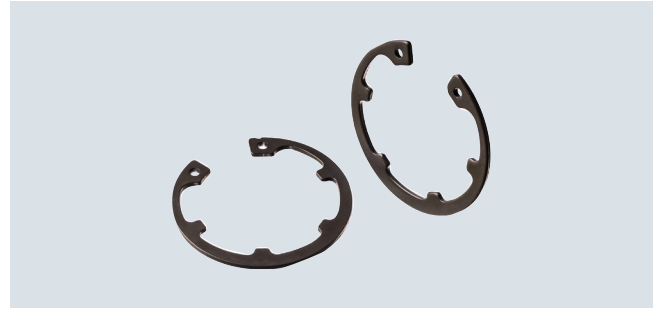
d_1	Part number	s	Tolerance	d_3	Tolerance	a max.	b ≈	d_5 min.	C_1	C_2	Weight [kg/1000]
85	AK85	3,00	-0,08	79,5	+0,46 -1,10	10,2	7,8	3,5	106,2	101,9	39,50
90	AK90	3,00		84,5		10,2	8,2	3,5	111,2	106,9	47,70
95	AK95	3,00		89,5	+0,54	10,2	8,6	3,5	116,2	111,9	53,00
100	AK100	3,00		94,5	-1,30	10,2	9,0	3,5	121,4	116,9	56,60
110	AK110	4,00	-0,10	103,0		12,2	9,6	3,5	135,4	130,4	84,60
120	AK120	4,00		113,0		14,2	10,1	3,5	149,6	144,4	89,70
130	AK130	4,00		123,0		14,2	10,7	4,0	159,7	154,4	105,00
140	AK140	4,00		133,0		14,2	11,2	4,0	169,8	164,4	115,00



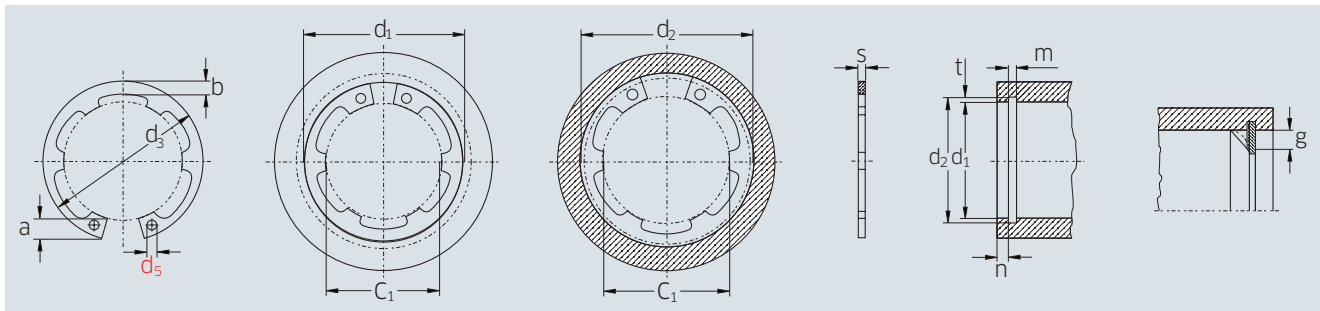
Part number	d_2	Tolerance	m min.	t	Data								Article No.	
					n	FN [kN]	FR [kN]	g	FRg [kN]	AN [mm ²]	K [kN/mm]	^o det. x1000 (rpm)		
AK85	81,5	-0,35	3,15	1,75	5,3	76,20	215,0	3,0	33,4	457,0	405,0	4	5	
AK90	86,5		3,15	1,75	5,3	80,80	217,0	3,0	34,4	485,0	401,0	4	5	
AK95	91,5		3,15	1,75	5,3	85,50	212,0	3,5	29,3	513,0	400,0	4	4	
AK100	96,5		3,15	1,75	5,3	90,00	206,0	3,5	29,0	540,0	397,0	4	4	
AK110	106,0	-0,54	4,15	2,00	6,0	113,00	457,0	3,5	66,9	678,0	914,0	4	4	
AK120	116,0		4,15	2,00	6,0	123,00	424,0	3,5	64,5	741,0	882,0	4	4	
AK130	126,0	-0,63	4,15	2,00	6,0	134,00	395,0	4,0	55,2	804,0	852,0	4	3	
AK140	136,0		4,15	2,00	6,0	144,00	376,0	4,0	54,4	867,0	840,0	4	3	

K-rings for bores

DIN 984/D2000/JK



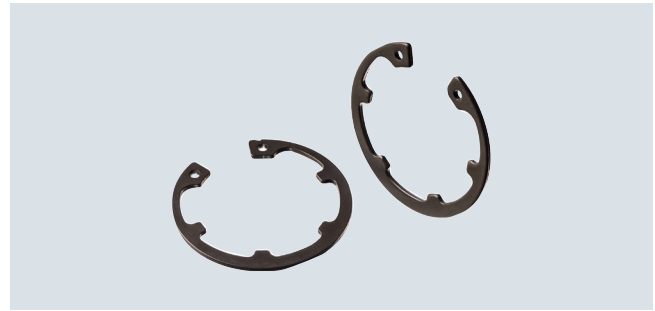
d_1	Part number	s	Tolerance	d_3	Tolerance	a max.	b ≈	d_5 min.	C_1	C_2	Weight [kg/1000]
16	JK16	1,00	-0,06	17,3	+0,42	3,4	2,1	1,7	9,0	10,0	0,72
17	JK17	1,00		18,3	-0,13	3,7	2,2	1,7	9,4	10,4	0,80
18	JK18	1,00		19,5		4,1	2,3	2,0	9,6	10,8	0,90
19	JK19	1,00		20,5		3,8	2,3	2,0	11,2	12,4	0,99
20	JK20	1,00		21,5		3,9	2,4	2,0	12,0	13,2	1,06
21	JK21	1,00		22,5		4,0	2,4	2,0	12,8	14,0	1,17
22	JK22	1,00		23,5		4,0	2,6	2,0	13,8	15,0	1,28
23	JK23	1,20		24,6		4,1	2,6	2,0	14,6	15,9	1,48
24	JK24	1,20		25,9	+0,42	4,2	2,6	2,0	15,4	16,8	1,60
25	JK25	1,20		26,9	-0,21	4,4	2,8	2,0	16,0	17,4	1,72
26	JK26	1,20		28,5		4,4	2,8	2,0	17,0	18,4	2,00
27	JK27	1,20		29,1		4,5	2,9	2,0	17,8	19,4	2,00
28	JK28	1,20		30,1	+0,50	4,9	3,0	2,0	18,0	19,6	2,10
30	JK30	1,20		32,1	-0,25	4,9	3,2	2,0	20,0	21,6	2,35
31	JK31	1,20		33,4		5,0	3,2	2,5	20,8	22,7	2,42
32	JK32	1,20		34,4		5,1	3,3	2,5	21,5	23,5	2,50
33	JK33	1,20		35,5		5,1	3,3	2,5	22,5	24,5	2,65
34	JK34	1,50		36,5		5,3	3,4	2,5	23,1	25,1	3,80
35	JK35	1,50		37,8		5,5	3,6	2,5	23,7	26,0	4,00
36	JK36	1,50		38,8		5,6	3,6	2,5	24,5	26,8	4,15
38	JK38	1,50		40,8		6,1	3,8	2,5	25,5	27,8	4,40
40	JK40	1,75		43,5	+0,90	7,2	4,0	2,5	25,2	28,1	5,30
42	JK42	1,75		45,5	-0,39	7,2	4,1	2,5	27,2	30,1	6,00
44	JK44	1,75		47,5		7,2	4,2	2,5	29,3	32,1	6,45
45	JK45	1,75		48,5		7,2	4,3	2,5	30,3	33,1	6,60
47	JK47	1,75		50,5	+1,10	7,2	4,5	2,5	32,3	35,1	6,90
48	JK48	1,75		51,5	-0,46	7,2	4,5	2,5	33,3	36,1	7,50
50	JK50	2,00	-0,07	54,2		8,2	4,7	2,5	33,3	36,6	8,50
52	JK52	2,00		56,2		8,2	4,7	2,5	35,2	38,6	9,40
55	JK55	2,00		59,2		8,2	5,1	2,5	38,2	41,6	9,75
57	JK57	2,00		61,2		8,2	5,2	2,5	40,2	43,6	11,65
58	JK58	2,00		62,2		8,2	5,3	2,5	41,2	44,6	12,00
60	JK60	2,00		64,2		8,2	5,5	2,5	43,2	46,6	12,70
62	JK62	2,00		66,2		8,2	5,6	2,5	45,2	48,6	12,75
65	JK65	2,50		69,2		10,2	5,8	3,0	44,1	47,6	16,70



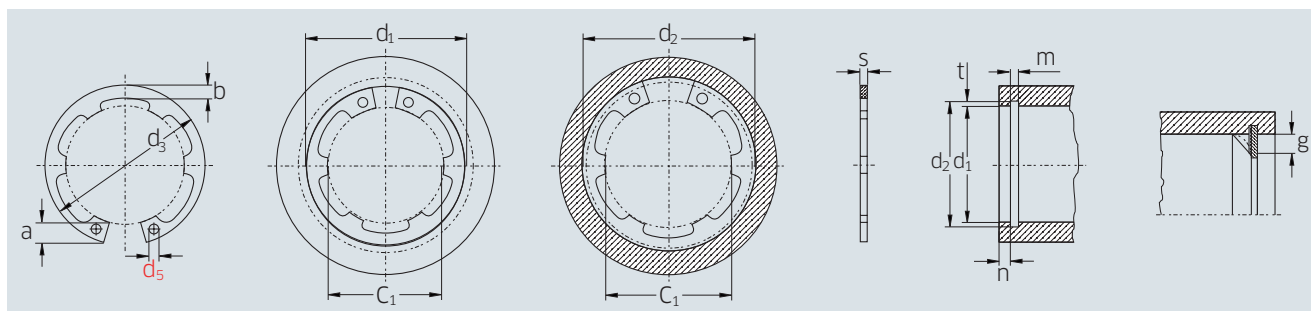
Part number	d_2	Tolerance	m min.	t	n	Data						Article No.	
						FN [kN]	FR [kN]	g	FRg [kN]	AN [mm ²]	B		
JK16	16,8	+0,11	1,10	0,40	1,2	3,40	5,5	1,0	2,5	20,6	18,4	4	
JK17	17,8		1,10	0,40	1,2	3,60	6,0	1,0	2,5	21,8	18,1	4	
JK18	19,0	+0,15	1,10	0,50	1,5	4,80	6,5	1,0	2,6	29,0	18,2	4	
JK19	20,0		1,10	0,50	1,5	5,10	6,8	1,0	2,6	30,6	17,2	4	
JK20	21,0		1,10	0,50	1,5	5,40	7,2	1,0	2,6	32,2	16,9	4	
JK21	22,0		1,10	0,50	1,5	5,70	7,6	1,0	2,6	33,8	17,2	4	
JK22	23,0		1,10	0,50	1,5	5,90	8,0	1,0	2,7	35,3	17,6	4	
JK23	24,1		1,30	0,55	1,6	6,80	13,8	1,0	4,5	40,7	28,8	4	
JK24	25,2	+0,21	1,30	0,60	1,8	7,70	13,9	1,0	4,6	46,3	28,4	4	
JK25	26,2		1,30	0,60	1,8	8,00	14,6	1,0	4,7	48,2	29,0	4	
JK26	27,2		1,30	0,60	1,8	8,40	13,8	1,0	4,6	50,1	27,8	4	
JK27	28,4		1,30	0,70	2,1	10,10	13,3	1,0	4,5	60,9	26,6	4	
JK28	29,4		1,30	0,70	2,1	10,50	13,3	1,0	4,5	63,1	26,3	4	
JK30	31,4	+0,25	1,30	0,70	2,1	11,30	13,7	1,0	4,6	67,5	26,6	4	
JK31	32,7		1,30	0,85	2,5	14,10	13,8	1,0	4,7	84,8	26,8	4	
JK32	33,7		1,30	0,85	2,5	14,60	13,8	1,0	4,7	87,9	26,6	4	
JK33	34,7		1,30	0,85	2,5	15,00	14,3	1,5	4,9	90,3	27,0	4	
JK34	35,7		1,60	0,85	2,5	15,40	26,2	1,5	6,3	92,6	50,0	4	
JK35	37,0		1,60	1,00	3,0	18,80	26,9	1,5	6,4	113,0	50,5	4	
JK36	38,0		1,60	1,00	3,0	19,40	26,4	1,5	6,4	116,0	50,2	4	
JK38	40,0		1,60	1,00	3,0	22,50	28,2	1,5	6,7	123,0	51,7	4	
JK40	42,5		1,85	1,25	3,8	27,00	44,6	2,0	8,3	162,0	80,1	4	
JK42	44,5		1,85	1,25	3,8	28,40	44,7	2,0	8,4	170,0	80,9	4	
JK44	46,5		1,85	1,25	3,8	29,50	43,3	2,0	8,3	177,0	78,6	4	
JK45	47,5		1,85	1,25	3,8	30,20	43,1	2,0	8,2	181,0	78,1	4	
JK47	49,5		1,85	1,25	3,8	31,40	43,5	2,0	8,3	189,0	78,9	4	
JK48	50,5	+0,30	1,85	1,25	3,8	32,00	43,2	2,0	8,4	193,0	78,5	4	
JK50	53,0		2,15	1,50	4,5	40,50	60,8	2,0	12,1	243,0	111,0	4	
JK52	55,0		2,15	1,50	4,5	42,00	60,2	2,0	12,0	252,0	108,0	4	
JK55	58,0		2,15	1,50	4,5	44,40	60,3	2,0	12,5	266,0	111,0	4	
JK57	60,0		2,15	1,50	4,5	46,00	60,8	2,0	12,7	276,0	112,0	4	
JK58	61,0		2,15	1,50	4,5	46,70	60,8	2,0	12,7	280,0	112,0	4	
JK60	63,0		2,15	1,50	4,5	48,30	61,0	2,0	13,0	290,0	113,0	4	
JK62	65,0		2,15	1,50	4,5	49,80	60,9	2,0	13,0	299,0	112,0	4	
JK65	68,0		2,65	1,50	4,5	51,80	121,0	2,5	20,8	313,0	220,0	4	

K-rings for bores

DIN 984/D2000/JK



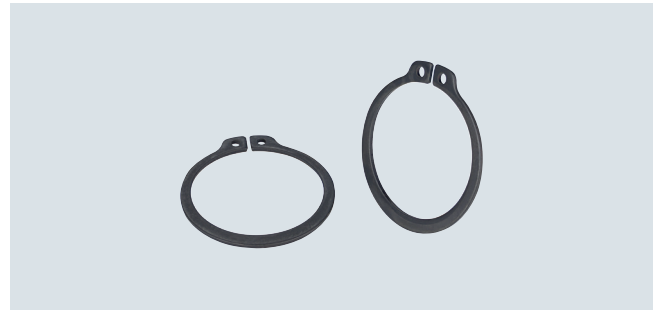
d_1	Part number	s	Tolerance	d_3	Tolerance	a max.	b ≈	d_5 min.	C_1	C_2	Weight [kg/1000]
67	JK67	2,50	- 0,07	71,5	+1,10	10,2	6,0	3,0	46,1	49,6	18,60
68	JK68	2,50		72,5	- 0,46	10,2	6,1	3,0	47,1	50,6	19,30
70	JK70	2,50		74,5		10,2	6,2	3,0	49,1	52,6	20,20
72	JK72	2,50		76,5		10,2	6,4	3,0	51,1	54,6	21,20
75	JK75	2,50		79,5		10,2	6,6	3,0	54,1	57,6	22,60
80	JK80	2,50		85,5	+1,30	10,2	7,0	3,0	59,1	63,1	25,00
85	JK85	3,00	- 0,08	90,5	- 0,54	12,2	7,4	3,5	60,1	64,1	30,10
90	JK90	3,00		95,5		12,2	7,7	3,5	65,1	69,1	35,50
95	JK95	3,00		100,5		12,2	8,1	3,5	70,1	74,1	40,00
100	JK100	3,00		105,5		12,2	8,5	3,5	75,1	79,1	43,50
110	JK110	4,00	- 0,10	117,0		12,2	9,0	3,5	85,1	89,6	73,00
115	JK115	4,00		122,0	+1,50	12,2	9,3	3,5	89,5	94,6	82,00
120	JK120	4,00		127,0	- 0,63	12,2	9,6	3,5	94,4	99,6	87,00
125	JK125	4,00		132,0		12,2	9,9	4,0	99,4	104,6	92,00
130	JK130	4,00		137,0		12,2	10,2	4,0	104,3	109,6	102,00
140	JK140	4,00		148,0		14,2	10,7	4,0	110,2	115,6	112,00
150	JK150	4,00		158,0		14,2	11,1	4,0	120,1	126,6	123,00
160	JK160	4,00		169,0		14,2	11,8	4,5	130,0	136,6	133,00
170	JK170	4,00		179,5		14,2	12,3	4,5	139,9	146,6	145,00




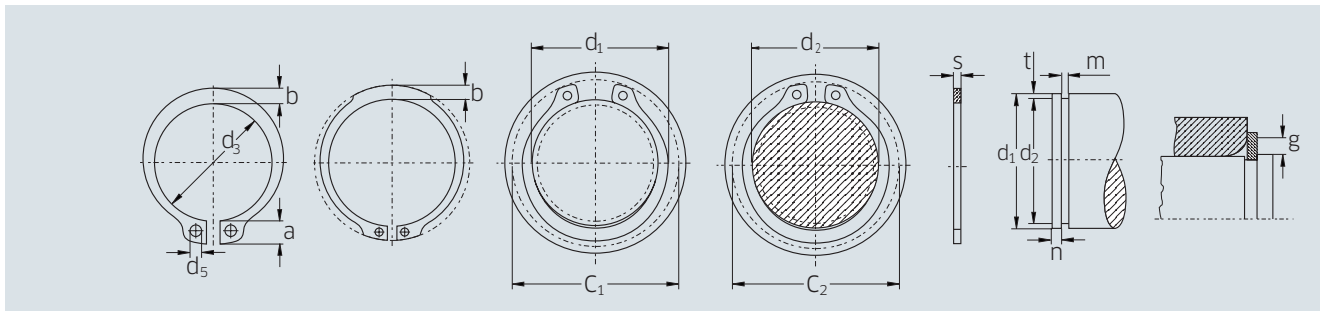
Part number	d_2	Tolerance	m min.	t	n	Data						Article No.	
						FN [kN]	FR [kN]	g	FRg [kN]	AN [mm ²]	B		
JK67	70,0	+0,30	2,65	1,50	4,5	53,80	121,0	2,5	21,1	323,0	222,0	4	
JK68	71,0		2,65	1,50	4,5	54,50	121,0	2,5	21,2	327,0	222,0	4	
JK70	73,0		2,65	1,50	4,5	56,20	119,0	2,5	21,0	337,0	218,0	4	
JK72	75,0		2,65	1,50	4,5	58,00	119,0	2,5	21,0	346,0	217,0	4	
JK75	78,0		2,65	1,50	4,5	60,00	118,0	2,5	21,0	360,0	215,0	4	
JK80	83,5	+0,35	2,65	1,75	5,3	74,60	120,0	2,5	21,8	448,0	219,0	4	
JK85	88,5		3,15	1,75	5,3	79,50	201,0	3,0	31,2	477,0	364,0	4	
JK90	93,5		3,15	1,75	5,3	84,00	199,0	3,0	31,4	504,0	364,0	4	
JK95	98,5		3,15	1,75	5,3	88,60	195,0	3,0	31,4	532,0	365,0	4	
JK100	103,5		3,15	1,75	5,3	93,10	188,0	3,0	30,8	559,0	359,0	4	
JK110	114,0	+0,54	4,15	2,00	6,0	117,00	415,0	3,0	71,0	704,0	824,0	4	
JK115	119,0		4,15	2,00	6,0	122,00	409,0	3,0	71,2	735,0	829,0	4	
JK120	124,0	+0,63	4,15	2,00	6,0	127,00	396,0	3,0	70,0	767,0	818,0	4	
JK125	129,0		4,15	2,00	6,0	132,00	385,0	3,0	70,0	797,0	809,0	4	
JK130	134,0		4,15	2,00	6,0	138,00	374,0	3,0	69,0	829,0	801,0	4	
JK140	144,0		4,15	2,00	6,0	148,00	350,0	3,0	66,5	892,0	775,0	4	
JK150	155,0		4,15	2,50	7,5	191,00	326,0	3,0	64,0	1198,0	748,0	4	
JK160	165,0		4,15	2,50	7,5	212,00	321,0	3,5	54,5	1275,0	737,0	4	
JK170	175,0		4,15	2,50	7,5	225,00	349,0	3,5	59,0	1355,0	800,0	4	

Rings for shafts (heavy duty)

D1460/AS



d ₁	Part number	s	Tolerance	d ₃	Tolerance			d ₅ min.	C ₁	C ₂	Weight [kg/1000]
						a max.	b ≈				
12	AS12	1,50	-0,06	11,0	+0,10	3,4	1,8	1,7	19,3	18,3	0,75
15	AS15	1,50		13,8	-0,36	4,8	2,4	2,0	25,1	23,9	1,20
16	AS16	1,50		14,7		5,0	2,5	2,0	26,5	25,2	1,20
17	AS17	1,50		15,7		5,0	2,6	2,0	27,5	26,2	1,24
18	AS18	1,50		16,5		5,1	2,7	2,0	28,7	27,2	1,54
19	AS19	1,50		17,5	+0,21	5,1	2,7	2,0	29,9	28,2	1,45
20	AS20	1,75		18,5	-0,42	5,5	3,0	2,0	31,5	30,0	2,25
22	AS22	1,75		20,5		6,0	3,1	2,0	34,5	33,0	2,30
23	AS23	1,75		21,3		6,6	3,2	2,0	35,7	34,0	2,60
24	AS24	1,75		22,2		6,3	3,2	2,0	37,1	35,5	2,70
25	AS25	2,00	-0,07	23,2		6,4	3,4	2,0	38,3	36,7	3,35
26	AS26	2,00		23,6		6,6	3,3	2,0	39,7	37,6	3,65
27	AS27	2,00		24,7		6,6	3,4	2,0	40,5	38,5	3,85
28	AS28	2,00		25,9		6,5	3,5	2,0	41,5	39,6	3,90
29	AS29	2,00		26,9		6,5	3,8	2,0	42,5	40,6	4,30
30	AS30	2,00		27,9		6,5	4,1	2,0	43,5	41,6	5,00
32	AS32	2,00		29,6	+0,25	6,5	4,1	2,5	45,5	43,3	5,40
33	AS33	2,00		30,5	-0,50	6,7	4,0	2,5	46,9	44,7	5,20
34	AS34	2,50		31,5		6,6	4,2	2,5	47,9	45,7	6,80
35	AS35	2,50		32,2		6,7	4,2	2,5	48,9	46,4	7,10
36	AS36	2,50		33,0		6,7	4,2	2,5	49,9	47,2	7,50
38	AS38	2,50		35,2		5,8	4,3	2,5	52,1	49,6	8,00
40	AS40	2,50		36,5	+0,39	7,0	4,4	2,5	55,0	51,5	8,20
42	AS42	2,50		38,5	-0,90	7,2	4,5	2,5	57,4	53,9	9,60
44	AS44	2,50		40,5		7,2	4,5	2,5	59,4	55,9	10,40
45	AS45	2,50		41,5		7,5	4,7	2,5	61,0	57,5	10,80
48	AS48	2,50		44,5		7,8	5,0	2,5	64,6	61,1	12,20
50	AS50	3,00	-0,08	45,8		8,0	5,1	2,5	67,0	63,0	14,80
52	AS52	3,00		47,8		8,2	5,2	2,5	69,4	65,4	15,40
55	AS55	3,00		50,8	+0,46	8,5	5,4	2,5	73,0	69,0	17,00
58	AS58	3,00		53,8	-1,10	8,8	5,6	2,5	76,6	72,6	19,40
60	AS60	3,00		55,8		9,0	5,8	2,5	79,0	75,0	20,00
65	AS65	4,00		60,8		9,3	6,3	3,0	84,6	80,6	31,00
70	AS70	4,00		65,5		9,5	6,6	3,0	90,0	86,0	32,20
75	AS75	4,00		70,5		9,7	7,0	3,0	95,4	91,4	39,80

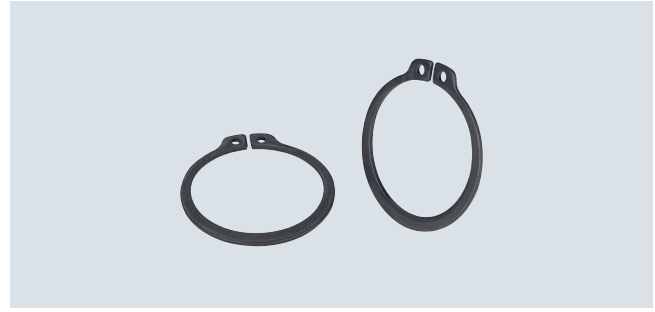


Data

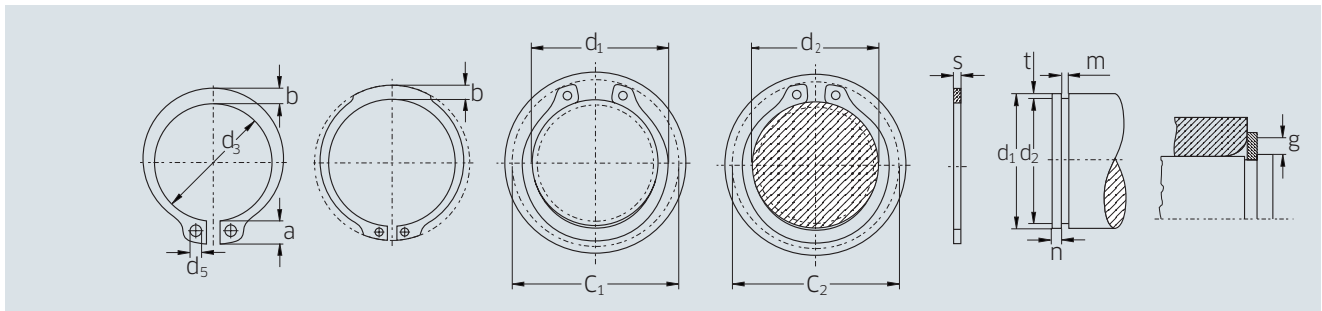
Part number	d_2	Tolerance	m min.	t	n	FN [kN]	FR [kN]	g	FRg [kN]	AN [mm ²]	B	ndet. x1000 (rpm)	Article No.
AS12	11,5	-0,11	1,60	0,25	0,7	1,53	11,3	1,0	4,5	9,2	2,25	75	
AS15	14,3		1,60	0,40	0,7	3,20	15,5	1,0	4,5	18,3	2,25	50	
AS16	15,2		1,60	0,35	1,2	3,26	16,7	1,0	4,5	19,6	2,25	48	
AS17	16,2		1,60	0,40	1,5	4,32	18,0	1,0	4,5	25,9	2,25	46	
AS18	17,0		1,60	0,50	1,8	5,50	26,6	1,5	5,8	33,0	1,56	43	
AS19	18,0		1,60	0,50	1,8	5,78	26,6	1,5	5,9	34,7	1,56	28	
AS20	19,0	-0,15	1,85	0,50	1,6	5,60	36,3	1,5	8,2	33,8	2,12	32	
AS22	21,0		1,85	0,50	1,5	5,60	36,0	1,5	8,1	33,8	2,12	29	
AS23	21,8		1,85	0,60	1,8	7,04	35,7	1,5	8,1	42,2	2,12	27	
AS24	22,9	-0,21	1,85	0,55	1,9	7,95	34,2	1,5	7,6	47,7	2,12	29	
AS25	23,9		2,15	0,55	1,9	8,30	45,0	1,5	10,3	49,7	2,78	25	
AS26	24,4		2,15	0,80	2,4	10,70	44,0	1,5	10,0	63,0	2,73	27	
AS27	25,5		2,15	0,75	2,3	10,30	45,5	1,5	10,6	62,0	2,78	25	
AS28	26,6		2,15	0,70	2,1	10,00	57,0	1,5	13,4	60,0	1,78	22	
AS29	27,6		2,15	0,70	2,1	10,40	56,5	1,5	13,3	62,2	1,78	22	
AS30	28,6		2,15	0,70	2,1	10,70	57,0	1,5	13,6	64,4	1,78	21	
AS32	30,3		2,15	0,85	2,5	12,90	57,0	1,5	13,6	77,8	1,78	20	
AS33	31,3	-0,25	2,15	0,85	2,5	14,30	56,0	1,5	10,1	86,0	1,78	18	
AS34	32,3		2,65	0,85	2,8	16,40	87,0	1,5	15,6	99,0	2,78	18	
AS35	33,0		2,65	1,00	3,0	17,80	86,0	1,5	15,4	107,0	2,78	17	
AS36	33,8		2,65	1,00	3,3	20,10	101,5	2,0	18,3	121,0	2,04	16	
AS38	36,0		2,65	1,00	3,3	21,20	101,0	2,0	18,6	127,0	2,04	15	
AS40	37,5		2,65	1,25	3,8	25,30	104,0	2,0	19,3	152,0	2,04	14	
AS42	39,5		2,65	1,25	3,8	26,70	102,0	2,0	19,2	160,0	2,04	13	
AS44	41,5		2,65	1,25	3,8	27,90	101,0	2,0	19,1	168,0	2,04	12	
AS45	42,5		2,65	1,25	3,8	28,60	100,0	2,0	19,1	172,0	2,04	11	
AS48	45,5		2,65	1,25	3,8	30,70	101,0	2,0	19,5	184,0	2,04	10	
AS50	47,0		3,15	1,50	4,5	38,20	165,0	2,0	32,4	229,0	2,25	11	
AS52	49,0		3,15	1,50	4,5	39,70	165,0	2,5	26,0	238,0	2,25	10	
AS55	52,0	-0,30	3,15	1,50	4,5	42,00	161,0	2,5	25,6	252,0	2,25	9	
AS58	55,0		3,15	1,50	4,5	44,30	160,0	2,5	26,0	266,0	2,25	8	
AS60	57,0		3,15	1,50	4,5	46,00	156,0	2,5	25,4	276,0	2,25	8	
AS65	62,0		4,15	1,50	4,5	49,80	346,0	2,5	58,0	299,0	2,56	7	
AS70	67,0		4,15	1,50	4,5	53,80	343,0	2,5	59,0	323,0	2,56	7	
AS75	72,0		4,15	1,50	4,5	57,60	333,0	2,5	58,0	346,0	2,56	6	

Rings for shafts (heavy duty)

D1460/AS



d_1	Part number	s	Tolerance	d_3	Tolerance	a max.	b ≈	d_5 min.	C_1	C_2	Weight [kg/1000]
80	AS80	4,00	-0,10	74,5	+0,46 / -1,10	9,8	7,4	3,0	100,6	96,1	42,40
85	AS85	4,00		79,5		10,0	7,8	3,5	106,0	101,5	47,00
90	AS90	4,00		84,5	+0,54	10,2	8,2	3,5	111,4	106,9	55,60
95	AS95	4,00		89,5	-1,30	10,2	8,6	3,5	116,6	112,1	61,20
100	AS100	4,00		94,5		10,5	9,0	3,5	122,0	117,5	72,00

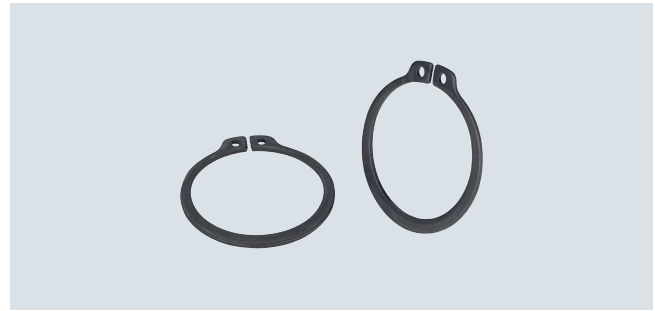


Data

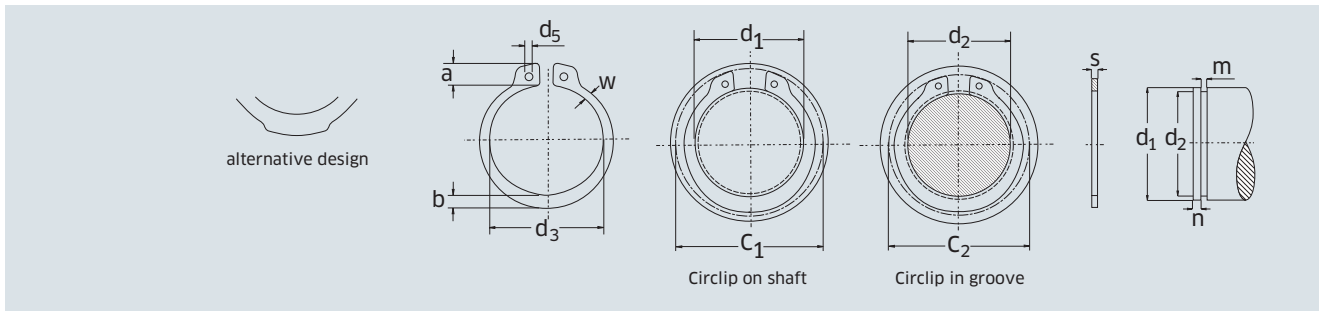
Part number	d_2	Tolerance	m min.	t	n	FN [kN]	FR [kN]	g	FRg [kN]	AN [mm ²]	B	ndet. x1000 (rpm)	Article No.
AS80	76,5	-0,30	4,15	1,75	5,3	71,60	328,0	3,0	50,0	430,0	2,56	6	
AS85	81,5	-0,35	4,15	1,75	5,3	76,30	383,0	3,0	59,4	458,0	1,78	6	
AS90	86,5		4,15	1,75	5,3	80,80	386,0	3,0	61,0	485,0	1,78	5	
AS95	91,5		4,15	1,75	5,3	85,50	378,0	3,5	52,0	513,0	1,78	5	
AS100	96,5		4,15	1,75	5,3	90,00	368,0	3,5	51,6	540,0	1,78	4	

Rings for shafts (heavy duty)

N1460/NAS



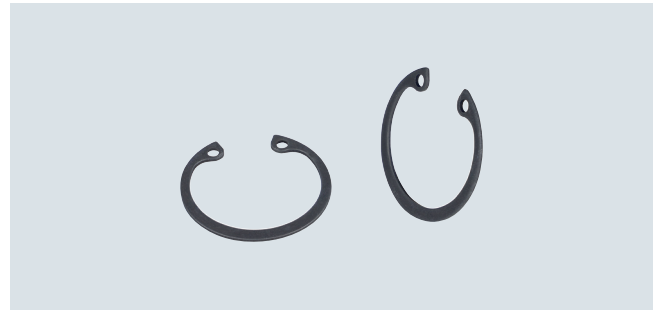
d_1	Part number	s	Tolerance	d_3	Tolerance	a max.	b ≈	w ~	d_5 min.	C_1	C_2	Weight [lbs/1000]
0,500	NAS50	0,050	±0,002	0,460	+0,005	0,124	0,030	0,050	0,048	0,75	0,72	1,6
0,591	NAS59	0,050		0,543	-0,010	0,134	0,104	0,057	0,048	0,86	0,83	2,2
0,625	NAS62	0,050		0,575		0,134	0,106	0,060	0,048	0,90	0,86	2,3
0,669	NAS66	0,050		0,616		0,134	0,114	0,062	0,048	0,94	0,90	2,6
0,750	NAS75	0,078	±0,003	0,689		0,185	0,127	0,077	0,076	1,12	1,08	5,6
0,875	NAS87	0,078		0,804		0,185	0,148	0,084	0,076	1,25	1,20	7,5
0,984	NAS98	0,078		0,906		0,185	0,156	0,088	0,076	1,36	1,30	7,8
1,000	NAS98	0,078		0,906		0,185	0,156	0,089	0,076	1,37	1,31	7,8
1,062	NAS106	0,093		0,978	+0,010	0,225	0,163	0,092	0,091	1,52	1,46	11,5
1,125	NAS112	0,093		1,036	-0,015	0,225	0,175	0,100	0,091	1,58	1,52	12,5
1,181	NAS118	0,093		1,037		0,225	0,176	0,098	0,091	1,64	1,57	13,5
1,250	NAS125	0,093		1,150		0,225	0,185	0,103	0,091	1,70	1,63	14,9
1,312	NAS131	0,093		1,208		0,225	0,196	0,110	0,091	1,77	1,69	16,0
1,375	NAS137	0,093		1,268		0,225	0,200	0,110	0,091	1,83	1,75	17,8
1,500	NAS150	0,109		1,380		0,285	0,205	0,105	0,107	2,08	1,98	27,0
1,562	NAS156	0,109		1,437	+0,013	0,285	0,205	0,110	0,093	2,14	2,05	31,0
1,750	NAS175	0,109		1,608	-0,020	0,295	0,205	0,111	0,093	2,34	2,25	33,4
1,938	NAS193	0,125	±0,004	1,782		0,320	0,256	0,121	0,123	2,58	2,48	48,0
2,000	NAS200	0,125		1,840		0,320	0,256	0,122	0,123	2,64	2,53	50,0



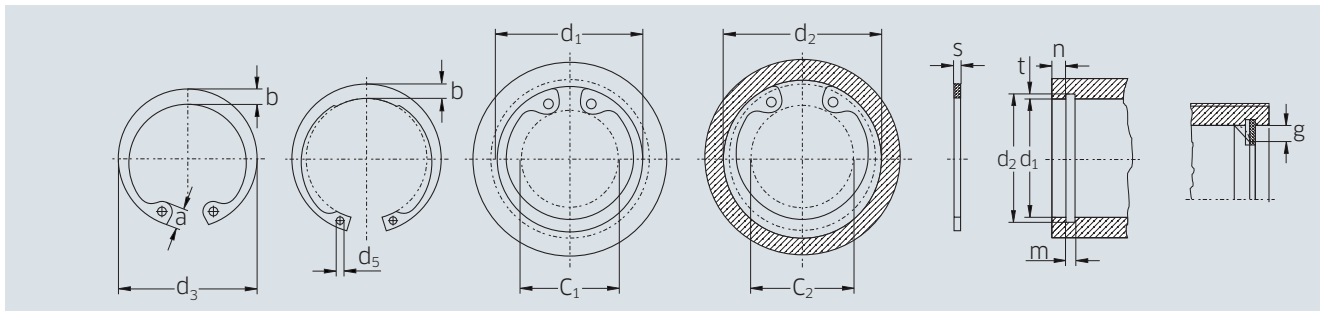
Part number	d_2	Tolerance	m	Tolerance	n min.	Data		
						Tc	Tg	Article No.
NAS50	0,468	+0,01	0,056	+0,04	0,048	3500	450	
NAS59	0,555	-0,02	0,056	-0,00	0,054	4180	600	
NAS62	0,588	+0,01	0,056		0,057	4420	670	
NAS66	0,629	-0,03	0,056		0,060	4730	750	
NAS75	0,704		0,086	+0,05	0,069	8270	975	
NAS87	0,821		0,086	-0,00	0,081	9650	1330	
NAS98	0,925		0,086		0,090	10800	1670	
NAS98	0,938	+0,02	0,086		0,093	11000	1750	
NAS106	0,998	-0,04	0,103		0,096	14000	1920	
NAS112	1,059		0,103		0,099	14800	2100	
NAS118	1,111		0,103		0,105	15500	2340	
NAS125	1,174		0,103		0,114	16400	2690	
NAS131	1,234		0,103		0,117	17200	2890	
NAS137	1,291		0,103		0,126	18000	3260	
NAS150	1,406		0,120		0,141	19000	3990	
NAS156	1,468	+0,03	0,120		0,141	20000	4150	
NAS175	1,650	-0,04	0,120		0,150	22500	4950	
NAS193	1,826		0,139	+0,05	0,178	28500	6140	
NAS200	1,880		0,139	-0,00	0,180	29500	6780	

Rings for bores (heavy duty)

D1360/JS



d_1	Part number	s	Tolerance	d_3	Tolerance	a max.	b =	d_5 min.	C_1	C_2	Weight [kg/1000]
20	JS20	1,50	-0,06	21,5	+0,42	4,5	2,4	2,0	10,5	12,0	1,4
22	JS22	1,50		23,5	-0,21	4,7	2,8	2,0	12,1	13,6	1,9
24	JS24	1,50		25,9		4,9	3,0	2,0	13,7	15,4	2,0
25	JS25	1,50		26,9		5,0	3,1	2,0	14,5	16,2	2,1
26	JS26	1,50		27,9		5,1	3,1	2,0	15,3	17,0	2,3
27	JS27	1,50		29,1	+0,50	5,1	3,2	2,0	16,3	18,2	2,4
28	JS28	1,50		30,1	-0,25	5,3	3,2	2,0	16,9	18,8	2,5
30	JS30	1,50		32,1		5,5	3,3	2,0	18,4	20,4	2,7
32	JS32	1,50		34,4		5,7	3,4	2,0	20,0	22,0	2,9
34	JS34	1,75		36,5		5,9	3,7	2,5	21,6	23,9	4,1
35	JS35	1,75		37,8		6,0	3,8	2,5	22,4	25,0	4,5
37	JS37	1,75		39,8		6,2	3,9	2,5	24,0	26,6	4,7
38	JS38	1,75		40,8		6,3	3,9	2,5	24,8	27,4	4,8
40	JS40	2,00	-0,07	43,5	+0,90	6,5	3,9	2,5	26,4	29,5	5,1
42	JS42	2,00		45,5	-0,39	6,7	4,1	2,5	28,0	31,1	5,6
45	JS45	2,00		48,5	+1,10	7,0	4,3	2,5	30,3	33,5	6,3
47	JS47	2,00		50,5	-0,46	7,2	4,4	2,5	31,9	35,1	6,7
50	JS50	2,50		54,2		7,5	4,6	2,5	34,3	38,0	8,8
52	JS52	2,50		56,2		7,7	4,7	2,5	35,9	39,6	9,9
55	JS55	2,50		59,2		8,0	5,0	2,5	38,2	42,0	10,4
60	JS60	3,00	-0,08	64,2		8,5	5,4	2,5	42,2	46,0	15,9
62	JS62	3,00		66,2		8,6	5,5	2,5	44,0	47,8	16,1
64	JS64	3,00		68,2		8,7	5,6	3,0	45,8	49,6	16,5
65	JS65	3,00		69,2		8,7	5,8	3,0	46,8	50,6	16,6
68	JS68	3,00		72,5		8,8	6,1	3,0	49,5	53,4	17,2
70	JS70	3,00		74,5		9,0	6,2	3,0	51,1	55,0	18,0
72	JS72	3,00		76,5		9,2	6,4	3,0	53,7	56,9	21,7
75	JS75	3,00		79,5		9,3	6,6	3,0	55,5	59,4	22,6
80	JS80	4,00	-0,10	85,5	+1,30	9,5	7,0	3,0	60,0	64,5	33,2
85	JS85	4,00		90,5	-0,54	9,7	7,2	3,5	64,7	69,1	33,8
90	JS90	4,00		95,5		10,0	7,6	3,5	69,0	73,5	41,3
95	JS95	4,00		100,5		10,3	8,1	3,5	73,4	77,9	46,7
100	JS100	4,00		105,5		10,5	8,4	3,5	77,9	82,5	50,7
105	JS105	5,00	-0,12	112,0		10,7	8,7	4,0	82,5	87,6	70,0
110	JS110	5,00		117,0		10,9	9,0	4,0	87,1	92,2	81,0



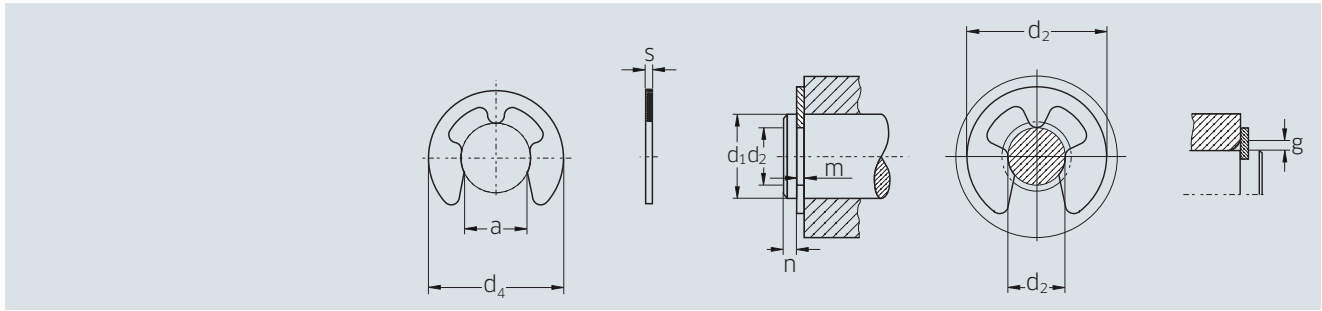
Part number	d_2	Tolerance	Data		n	FN [kN]	FR [kN]	g	FRg [kN]	AN [mm ²]	b	Article No.
			m min.	t								
JS20	21,0	+0,15	1,60	0,50	1,5	5,4	16,2	1,0	5,8	32	2,25	
JS22	23,0		1,60	0,50	1,5	5,9	18,0	1,0	6,1	35	2,25	
JS24	25,2	+0,21	1,60	0,60	1,8	7,7	21,7	1,0	7,2	46	1,56	
JS25	26,2		1,60	0,60	1,8	8,0	22,8	1,0	7,3	48	1,56	
JS26	27,2		1,60	0,60	1,8	8,4	21,6	1,0	7,2	50	1,56	
JS27	28,4		1,60	0,70	2,1	10,1	20,8	1,0	7,0	60	1,56	
JS28	29,4		1,60	0,70	2,1	10,5	20,8	1,0	7,0	63	1,56	
JS30	31,4	+0,25	1,60	0,70	2,1	11,3	21,4	1,0	7,2	67	1,56	
JS32	33,7		1,60	0,85	2,6	14,6	21,4	1,0	7,3	87	1,56	
JS34	35,7		1,85	0,85	2,6	15,4	35,6	1,5	8,6	92	1,36	
JS35	37,0		1,85	1,00	3,0	18,8	36,6	1,5	8,7	113	1,36	
JS37	39,0		1,85	1,00	3,0	19,8	36,8	1,5	8,8	119	1,36	
JS38	40,0		1,85	1,00	3,0	22,5	38,3	1,5	9,1	123	1,36	
JS40	42,5		2,15	1,25	3,8	27,0	58,4	2,0	10,9	162	1,31	
JS42	44,5		2,15	1,25	3,8	28,4	58,5	2,0	11,0	170	1,31	
JS45	47,5		2,15	1,25	3,8	30,2	56,5	2,0	10,7	181	1,31	
JS47	49,5		2,15	1,25	3,8	31,4	57,0	2,0	10,8	189	1,31	
JS50	53,0	+0,30	2,65	1,50	4,5	40,5	95,5	2,0	19,0	243	1,57	
JS52	55,0		2,65	1,50	4,5	42,0	94,6	2,0	18,8	252	1,57	
JS55	58,0		2,65	1,50	4,5	44,4	94,7	2,0	19,6	266	1,57	
JS60	63,0		3,15	1,50	4,5	48,3	137,0	2,0	29,2	290	2,25	
JS62	65,0		3,15	1,50	4,5	49,8	137,0	2,0	29,2	299	2,25	
JS64	67,0		3,15	1,50	4,5	51,4	137,0	2,0	30,0	308	2,25	
JS65	68,0		3,15	1,50	4,5	51,8	174,0	2,5	30,0	313	1,44	
JS68	71,0		3,15	1,50	4,5	54,5	174,0	2,5	30,6	327	1,44	
JS70	73,0		3,15	1,50	4,5	56,2	171,0	2,5	30,3	337	1,44	
JS72	75,0		3,15	1,50	4,5	58,0	172,0	2,5	30,3	346	1,44	
JS75	78,0		3,15	1,50	4,5	60,0	170,0	2,5	30,3	360	1,44	
JS80	83,5	+0,35	4,15	1,75	5,3	74,6	308,0	2,5	56,0	448	2,56	
JS85	88,5		4,15	1,75	5,3	79,5	358,0	3,0	55,0	477	1,78	
JS90	93,5		4,15	1,75	5,3	84,0	354,0	3,0	56,0	504	1,78	
JS95	98,5		4,15	1,75	5,3	88,6	347,0	3,0	56,0	532	1,78	
JS100	103,5		4,15	1,75	5,3	93,1	335,0	3,0	55,0	559	1,78	
JS105	109,0	+0,54	5,15	2,00	6,0	112,0	681,0	3,0	114,0	672	1,56	
JS110	114,0		5,15	2,00	6,0	117,0	648,0	3,0	111,0	704	1,56	

E-Clips

DIN 6799/D1500/RA



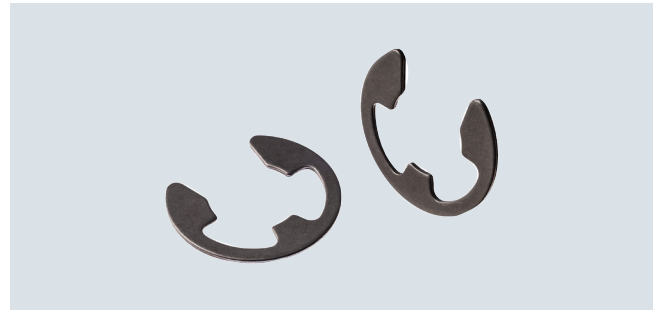
d ₂	Part number	d ₁		s	Tolerance	d ₄	a	Tolerance	C ₂	Weight [kg/1000]
		from	to							
1,2	RA1,2	1,4	2,0	0,30	±0,02	2,90	1,01	±0,04	3,0	0,009
1,5	RA1,5	2,0	2,5	0,40		3,90	1,28		4,0	0,021
1,9	RA1,9	2,5	3,0	0,50		4,40	1,61		4,5	0,040
2,3	RA2,3	3,0	4,0	0,60		5,90	1,94		6,0	0,069
3,2	RA3,2	4,0	5,0	0,60		6,90	2,70		7,0	0,088
4,0	RA4,0	5,0	7,0	0,70		8,85	3,34	±0,048	9,0	0,158
5,0	RA5,0	6,0	8,0	0,70		10,85	4,11		11,0	0,236
6,0	RA6,0	7,0	9,0	0,70		11,80	5,26	±0,058	12,0	0,255
7,0	RA7,0	8,0	11,0	0,90		13,80	5,84		14,0	0,474
8,0	RA8,0	9,0	12,0	1,00	±0,03	15,75	6,52		16,0	0,660
9,0	RA9,0	10,0	14,0	1,10		18,20	7,63		18,5	1,000
10,0	RA10,0	11,0	15,0	1,20		19,70	8,32		20,0	1,120
12,0	RA12,0	13,0	18,0	1,30		22,70	10,45	±0,070	23,0	1,770
15,0	RA15,0	16,0	24,0	1,50		28,70	12,61		29,0	3,370
19,0	RA19,0	20,0	31,0	1,75		36,50	15,92	±0,084	37,0	6,420
24,0	RA24,0	25,0	38,0	2,00		43,50	21,88		44,0	8,550



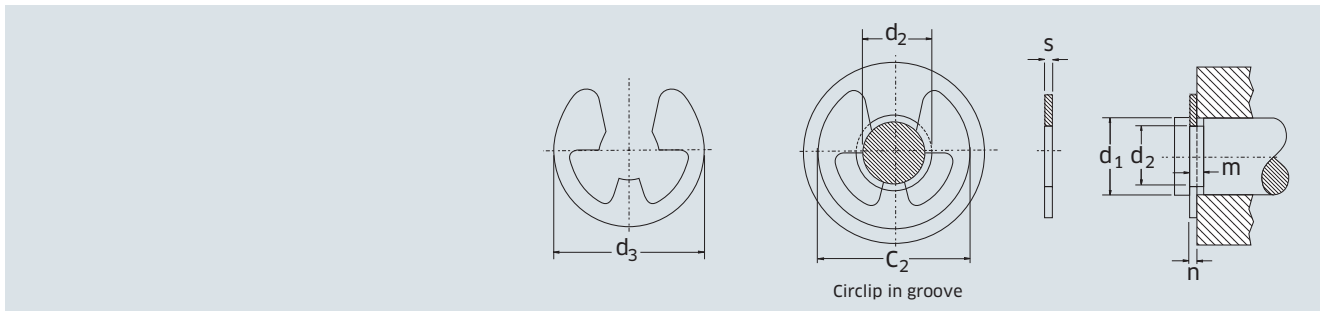
Part number	d_2	Tolerance	m min.	Data							
				n	FN [kN]	d_1	FR [kN]	g	FRg [kN]	$n_{det.}$ x1000 [rpm]	Article No.
RA1,2	1,2	-0,060	0,34	0,6	0,04	1,5	0,12	0,4	0,06	47	
RA1,5	1,5		0,44	0,8	0,07	2,0	0,22	0,6	0,11	42	
RA1,9	1,9		0,54	1,0	0,10	2,5	0,35	0,7	0,17	40	
RA2,3	2,3		0,64	1,0	0,15	3,0	0,50	0,9	0,24	38	
RA3,2	3,2	-0,075	0,64	1,0	0,22	4,0	0,65	0,9	0,32	35	
RA4,0	4,0		0,74	1,2	0,25	5,0	0,95	1,0	0,47	32	
RA5,0	5,0		0,74	1,2	0,90	7,0	1,15	1,0	0,60	28	
RA6,0	6,0		0,74	1,2	1,10	8,0	1,35	1,1	0,70	25	
RA7,0	7,0	-0,090	0,94	1,5	1,25	9,0	1,80	1,3	1,00	22	
RA8,0	8,0		1,05	1,8	1,42	10,0	2,50	1,5	1,25	20	
RA9,0	9,0		1,15	2,0	1,60	11,0	3,00	1,6	1,50	17	
RA10,0	10,0		1,25	2,0	1,70	12,0	3,50	1,8	1,75	15	
RA12,0	12,0	-0,110	1,35	2,5	3,10	15,0	4,70	1,9	2,30	13	
RA15,0	15,0		1,55	3,0	7,00	20,0	7,80	2,2	3,30	11	
RA19,0	19,0	-0,130	1,80	3,5	10,00	25,0	11,00	2,5	3,60	8	
RA24,0	24,0		2,05	4,0	13,00	30,0	15,00	3,0	4,00	6	

E-Clips

N1500/NRA/NRF/NRG



d_1	Part number	s	Tolerance	d_3	C_2	Weight [lbs/1000]
0,062	NRF006	0,010	±0,001	0,140	0,150	0,028
0,062	NRA006	0,010		0,156	0,165	0,030
0,062	NRG006	0,020	±0,002	0,187	0,200	0,094
0,094	NRF009	0,015		0,230	0,245	0,100
0,094	NRA009	0,015		0,187	0,200	0,058
0,110	NRF011	0,015		0,375	0,390	0,310
0,125	NRF012	0,015		0,230	0,240	0,087
0,140	NRF014	0,015		0,203	0,214	0,060
0,140	NRG014	0,015		0,250	0,265	0,100
0,140	NRA014	0,025		0,270	0,285	0,210
0,156	NRA015	0,025		0,282	0,295	0,210
0,172	NRF017	0,025		0,312	0,325	0,240
0,188	NRF018	0,025		0,375	0,390	0,450
0,188	NRA018	0,025		0,335	0,350	0,290
0,219	NRF021	0,025		0,437	0,450	0,470
0,250	NRF025	0,025		0,527	0,540	0,760
0,312	NRF031	0,025		0,500	0,520	0,570
0,375	NRA037	0,035		0,660	0,680	1,500
0,438	NRA043	0,035		0,687	0,710	1,500
0,438	NRF043	0,035		0,600	0,620	1,000
0,500	NRA050	0,042		0,800	0,820	2,500
0,625	NRA062	0,042		0,940	0,960	3,200
0,744	NRF074	0,050		1,000	1,020	4,300
0,750	NRA075	0,050		1,120	1,140	5,800
0,875	NRA087	0,050		1,300	1,320	7,600
0,984	NRF098	0,050		1,500	1,530	9,200
1,188	NRF188	0,062	±0,001	1,626	1,670	11,300
1,375	NRF137	0,062		1,875	1,920	15,400

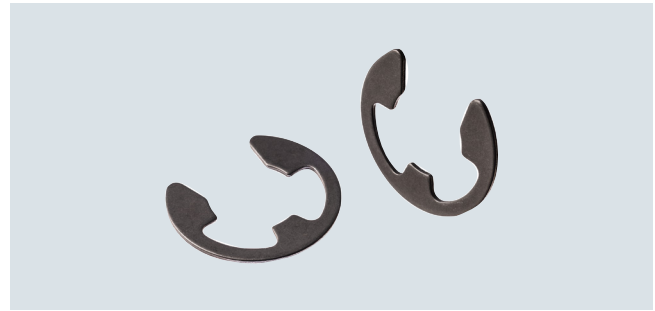


Data

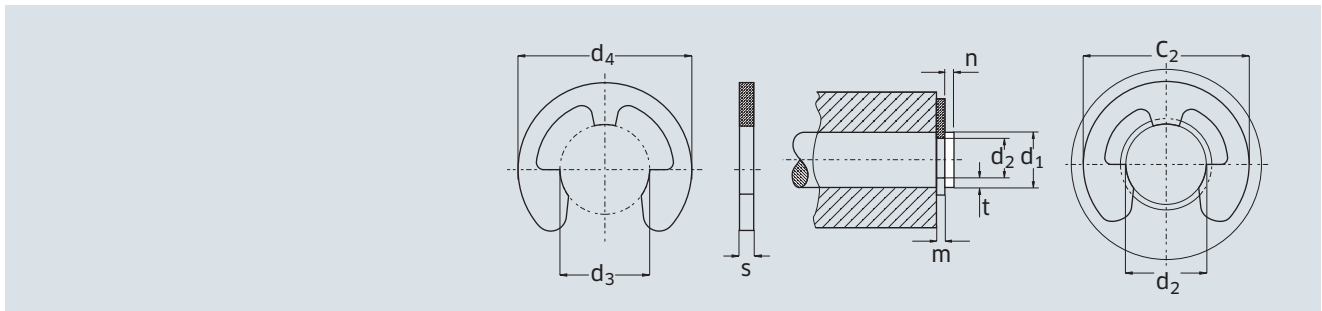
Part number	d_2	Tolerance	m	Tolerance	Tc	Tg	Applicators	Dispenser	Article No.
NRF006	0,052	+0,002	0,012	+0,002	36	6	AM2	SF2	
NRA006	0,052	-0,000	0,012	-0,000	36	6	AM3	SF3	
NRG006	0,052		0,023		72	6	-	-	
NRF009	0,074		0,018		81	17	AM7	SF4	
NRA009	0,074		0,018		81	17	AM5	SF5	
NRF011	0,079		0,018		95	32	AM6	SF6	
NRA012	0,095		0,018		108	35	AM7	SF7	
NRF014	0,102		0,018		121	50	AM8	SF8	
NRG014	0,110		0,018		121	39	AM10	SF10	
NRA014	0,105		0,029	+0,003	202	46	AM9	SF9	
NRA015	0,116		0,029	-0,000	225	58	AM11	SF11	
NRF017	0,127		0,029		248	72	AM12	SF12	
NRF018	0,125		0,029		271	110	AM13	SF13	
NRA018	0,147		0,029		271	72	AM14	SF14	
NRF021	0,188		0,029		316	63	AM15	SF15	
NRA025	0,210	+0,003	0,029		361	93	AM16	SF16	
NRF031	0,250	-0,000	0,029		450	180	AM16	SF17	
NRA037	0,303		0,039		757	252	AM18	SF18	
NRA043	0,343		0,039		885	388	AM19	SF19	
NRF043	0,380		0,039		884	237	AM20	SF20	
NRA050	0,396		0,046		1210	485	AM21	SF21	
NRA062	0,485		0,046		1510	816	AM22	SF22	
NRF074	0,625		0,056		2160	1190	AM23	SF23	
NRA075	0,580		0,056		2520	1630	AM24	SF24	
NRA087	0,675		0,056		2840	1370	AM25	SF25	
NRF098	0,835		0,056		4250	1210	AM26	SF26	
NRF188	1,079	+0,005	0,068	+0,004	4920	1860	AM27	SF27	
NRF137	1,230	-0,000	0,068	-0,000	4920	1860	-	-	

E-Clips

9133/NRL



d_1	Part number	s	Tolerance	d_3	Tolerance	d_4	C_2	Weight
								[kg/1000]
2	NRL2	0,25	+0,00	1,51		4,70	4,75	0,02
2,5	NRL2,5	0,40	-0,03	1,99		5,30	5,37	0,04
3	NRL3	0,40		2,23		6,00	6,07	0,05
4	NRL4	0,60		2,89		7,15	7,37	0,10
4,5	NRL4,5	0,60		3,50		8,00	8,10	0,13
5	NRL5	0,60		3,68		8,50	8,62	0,14
6	NRL6	0,60		4,70		11,10	11,19	0,18
7	NRL7	0,60		5,25		13,40	13,54	0,20
8	NRL8	0,60		6,17		12,70	12,93	0,24
9	NRL9	0,80	+0,00	6,85		13,80	13,95	0,39
10	NRL10	0,80	-0,05	7,85		15,00	15,15	0,45
11	NRL11	0,80		8,45		16,40	16,55	0,56
12	NRL12	0,80		9,45		17,70	17,85	0,58
13	NRL13	1,00	+0,00	10,10		19,00	20,61	0,82
14	NRL14	1,00	-0,06	11,10		20,40	20,54	0,95
15	NRL15	1,00		11,90		21,60	21,74	1,04
16	NRL16	1,00		12,90		23,00	23,14	1,11
17	NRL17	1,00		13,65		24,30	24,49	1,29
18	NRL18	1,00		14,65		25,60	25,79	1,47
19	NRL19	1,20		15,51		26,80	26,99	1,76
20	NRL20	1,20		16,48		28,20	28,42	2,12
22	NRL22	1,20		18,32		30,80	31,02	2,30
25	NRL25	1,20		21,10		34,80	38,63	2,71
30	NRL30	1,50		25,85		41,20	41,55	
35	NRL35	1,50		30,60		47,60	47,81	



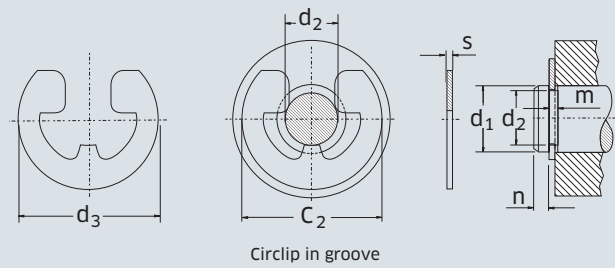
Part number	d_2	Tolerance	m	Article No.
NRL2	1,56	+0,05	0,30	
NRL2,5	2,06	- 0,00	0,45	
NRL3	2,30		0,45	
NRL4	3,10		0,67	
NRL4,5	3,60		0,67	
NRL5	3,80		0,67	
NRL6	4,80		0,67	
NRL7	5,40		0,67	
NRL8	6,40	+0,07	0,67	
NRL9	7,00	- 0,00	0,90	
NRL10	8,00		0,90	
NRL11	8,60		0,90	
NRL12	9,60		0,90	
NRL13	10,24		1,10	
NRL14	11,24		1,10	
NRL15	12,04		1,10	
NRL16	13,04		1,10	
NRL17	13,84		1,10	
NRL18	14,84		1,10	
NRL19	15,70		1,35	
NRL20	16,70		1,35	
NRL22	18,54		1,35	
NRL25	21,40		1,35	
NRL30	26,20	+0,12	1,65	
NRL35	31,00	- 0,00	1,65	

Reinforced E-Clip

N1540/NRH



d_1	Part number	s	Tolerance	d_3	Tolerance	C_2	b =	Weight
								[lbs/1000]
0,094	NRH009	0,015	±,002	0,206		0,219		0,07
0,125	NRH012	0,015		0,270		0,283		0,13
0,156	NRH015	0,025		0,335		0,350		0,31
0,188	NRH018	0,025		0,375		0,390		0,39
0,219	NRH021	0,025		0,446		0,460		0,54
0,250	NRH025	0,025		0,516		0,530		0,71
0,312	NRH031	0,025		0,588		0,610		0,85
0,375	NRH037	0,035		0,660		0,680		1,50
0,438	NRH043	0,035		0,746		0,777		1,90
0,500	NRH050	0,042		0,810		0,830		3,20
0,562	NRH056	0,042		0,870		0,890		3,50

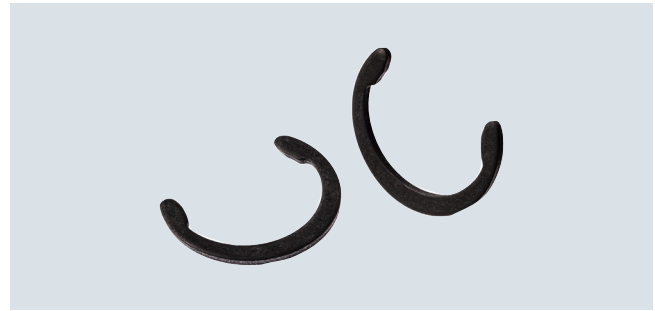


Data

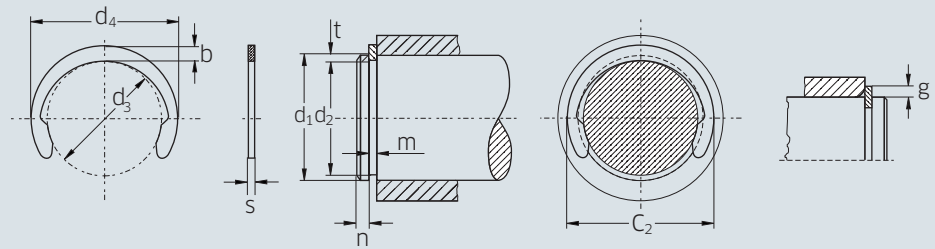
Part number	d_2	Tolerance	m	Tolerance	Tc	Tg	Applicators	Dispensor	Article No.
NRH009	0,074	+0,002	0,018	+0,002	80	17	AM8	SF30	
NRH012	0,095	-0,000	0,018	-0,000	110	35	AM31	SF31	
NRH015	0,116		0,029	+0,003	220	58	AM14	SF32	
NRH018	0,147		0,029	-0,000	270	72	AM33	SF33	
NRH021	0,188	±0,002	0,029		320	63	AM15	SF34	
NRH025	0,210		0,029		360	93	AM16	SF35	
NRH031	0,250	±0,003	0,029		630	180	AM20	SF36	
NRH037	0,303		0,039		760	250	AM18	SF37	
NRH043	0,343		0,039		880	390	AM38	SF38	
NRH050	0,396		0,046		1210	480	AM21	SF39	
NRH056	0,437		0,046		1360	650	AM40	SF40	

Crescent rings

M1800/H



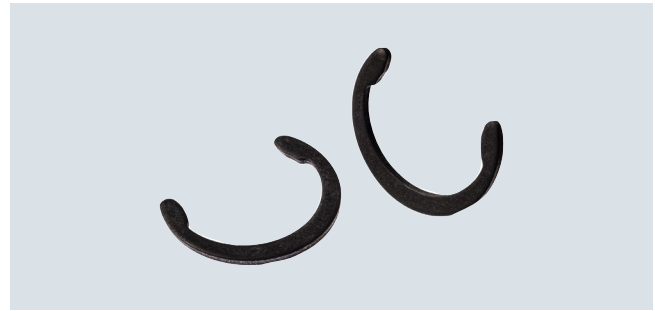
d_1	Part number	s	Tolerance	d_3	Tolerance	b	d_4	C_2	Weight
									[kg/1000]
3	H3	0,40	-0,05	2,18	±0,06	0,90	3,98	4,1	0,02
4	H4	0,40		3,00		1,00	5,00	5,2	0,04
5	H5	0,60		3,80	±0,08	1,20	6,20	6,4	0,08
6	H6	0,70		4,80		1,30	7,40	7,6	0,11
6,5	H6,5	0,70		5,60		1,30	8,20	8,4	0,12
7	H7	0,80		5,80		1,40	8,60	8,8	0,13
8	H8	0,80		6,80	±0,09	1,60	10,00	10,2	0,17
9	H9	1,00	-0,06	7,80		1,70	11,20	11,4	0,22
10	H10	1,00		8,75		1,70	12,15	12,4	0,26
11	H11	1,00		9,65	±0,18	1,80	13,20	13,6	0,29
12	H12	1,00		10,55		1,90	14,35	14,7	0,32
13	H13	1,00		11,40		2,00	15,40	15,8	0,36
14	H14	1,00		12,30		2,00	16,30	16,7	0,40
15	H15	1,00		13,20		2,10	17,40	17,8	0,46
16	H16	1,00		14,10		2,20	18,50	18,9	0,54
17	H17	1,00		14,90		2,25	19,40	19,9	0,64
18	H18	1,20		15,80		2,30	20,40	20,9	0,72
19	H19	1,20		16,70		2,40	21,50	22,0	0,80
20	H20	1,20		17,55		2,55	22,65	23,2	0,87
22	H22	1,20		19,40	±0,21	2,80	25,00	25,5	1,10
23	H23	1,20		20,20		2,90	26,00	26,6	1,15
24	H24	1,20		21,10		3,00	27,10	27,7	1,52
25	H25	1,20		22,00		3,15	28,30	28,9	1,74
26	H26	1,20		22,90		3,25	29,40	30,0	1,88
28	H28	1,50		24,60		3,50	31,60	32,2	2,32
30	H30	1,50		26,30		3,70	33,70	34,4	2,43
32	H32	1,50		28,10		4,00	36,10	36,8	3,02
35	H35	1,50		30,80	±0,25	4,30	39,40	40,1	3,30
36	H36	1,75		31,70		4,40	40,50	41,2	4,40
38	H38	1,75		33,40		4,60	42,60	43,4	4,62
40	H40	1,75		35,20	±0,39	4,90	45,00	45,8	5,05
42	H42	1,75		37,00		5,10	47,20	48,0	5,46
45	H45	1,75		39,60		5,50	50,60	51,5	5,98
48	H48	1,75		42,30		5,90	54,10	55,0	7,82
50	H50	2,00	-0,07	44,00		6,20	56,40	57,4	8,85
52	H52	2,00		46,00		6,30	58,60	59,6	9,33
55	H55	2,00		48,50		6,50	61,50	63,0	10,40



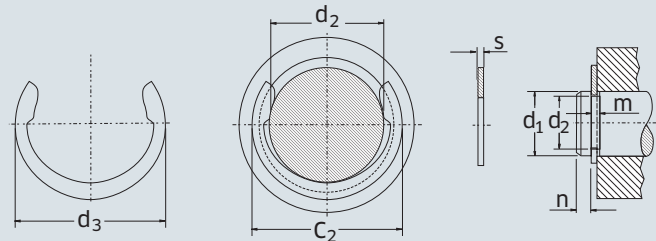
Part number	d_2	Tolerance	m min.	t	Data							Article No.
					n	FN [kN]	FR [kN]	g	FRg [kN]	n_{det} x1000 [rpm]		
H3	2,3	-0,07	0,44	0,35	1,0	0,24	0,50	0,40	0,40	95		
H4	3,2		0,44	0,40	1,2	0,37	0,50	0,40	0,40	90		
H5	4,0		0,64	0,50	1,5	0,58	1,10	0,60	0,70	88		
H6	5,0		0,74	0,50	1,5	0,72	1,65	0,70	1,10	80		
H6,5	5,8		0,74	0,35	1,0	0,55	1,70	0,70	1,05	76		
H7	6,0	-0,09	0,85	0,50	1,5	0,85	2,20	0,80	1,30	69		
H8	7,0		0,85	0,50	1,5	0,98	2,20	0,80	1,30	67		
H9	8,0		1,10	0,50	1,5	1,10	3,50	1,00	2,00	58		
H10	9,0		1,10	0,50	1,5	1,24	3,70	1,00	2,00	50		
H11	10,0	-0,11	1,10	0,50	1,5	1,35	4,00	1,00	2,00	40		
H12	10,9		1,10	0,55	1,7	1,65	4,20	1,00	2,00	35		
H13	11,8		1,10	0,60	1,8	1,90	4,50	1,00	2,00	30		
H14	12,7		1,10	0,65	2,0	2,20	5,00	1,00	2,00	27		
H15	13,6		1,10	0,70	2,1	2,60	5,50	1,00	2,00	25		
H16	14,5		1,10	0,75	2,3	3,00	5,80	1,00	2,00	24		
H17	15,4		1,10	0,80	2,4	3,40	6,00	1,00	2,00	23		
H18	16,3		1,30	0,85	2,6	3,70	8,50	1,20	2,80	21		
H19	17,2		1,30	0,90	2,7	4,30	9,00	1,20	2,80	21		
H20	18,1	-0,21	1,30	0,95	2,9	4,70	9,40	1,20	3,00	20		
H22	19,9		1,30	1,05	3,2	5,70	1,00	1,20	3,00	17		
H23	20,8		1,30	1,10	3,3	6,20	10,50	1,20	3,20	15		
H24	21,7		1,30	1,15	3,5	6,80	11,00	1,20	3,20	15		
H25	22,6		1,30	1,20	3,6	7,50	11,50	1,20	3,20	15		
H26	23,5		1,30	1,25	3,8	8,00	12,00	1,20	3,20	15		
H28	25,2		1,60	1,40	4,2	9,70	16,50	1,50	5,50	13		
H30	27,0		1,60	1,50	4,5	11,00	17,00	1,50	5,60	13		
H32	28,8		1,60	1,60	4,6	12,50	18,00	1,50	5,80	13		
H35	31,5	-0,25	1,60	1,75	5,3	15,00	20,00	1,50	5,80	11		
H36	32,4		1,85	1,80	5,4	16,00	25,00	1,75	8,30	10		
H38	34,2		1,85	1,90	5,7	17,50	26,00	1,75	8,50	10		
H40	36,0		1,85	2,00	6,0	20,00	27,50	1,75	8,80	9		
H42	37,8		1,85	2,10	6,3	21,50	28,00	1,75	8,90	9		
H45	40,5		1,85	2,25	6,8	25,00	30,00	1,75	9,00	8		
H48	43,2		1,85	2,40	7,2	28,00	32,00	1,75	9,00	8		
H50	45,0		2,15	2,50	7,5	31,00	39,50	2,00	12,00	7		
H52	47,0		2,15	2,50	7,5	32,00	41,00	2,00	12,00	7		
H55	50,0		2,15	2,50	7,5	34,00	43,00	2,00	12,00	7		

Crescent rings

N1800/NH



d_1	Part number	s	Tolerance	d_3	Tolerance	C_2	Weight [lbs/1000]
0,125	NH012	0,015	+ ,003	0,165	±0,002	0,18	0,030
0,156	NH015	0,015	- ,000	0,205		0,22	0,052
0,188	NH018	0,015		0,244		0,25	0,062
0,219	NH021	0,025	+ ,004	0,275		0,29	0,120
0,236	NH023	0,025	- ,000	0,295		0,31	0,150
0,250	NH023	0,025		0,311		0,33	0,157
0,281	NH028	0,025		0,346		0,36	0,190
0,312	NH031	0,025		0,376		0,39	0,226
0,375	NH037	0,025		0,448		0,47	0,300
0,406	NH040	0,025		0,486		0,50	0,352
0,438	NH043	0,025		0,517		0,53	0,359
0,500	NH050	0,035	+ ,006	0,581		0,60	0,671
0,562	NH056	0,035	- ,000	0,653		0,67	0,710
0,625	NH062	0,035		0,715		0,74	0,937
0,688	NH068	0,042		0,784		0,80	1,300
0,750	NH075	0,042		0,845		0,87	1,500
0,812	NH081	0,042		0,915		0,94	1,700
0,875	NH087	0,042		0,991		1,01	2,000
0,938	NH093	0,042		1,058		1,08	2,300
1,000	NH100	0,042		1,130		1,15	2,700
1,125	NH112	0,050	+ ,008	1,267		1,30	4,000
1,188	NH118	0,050	- ,000	1,321		1,35	5,950
1,250	NH125	0,050		1,415		1,44	5,100
1,375	NH137	0,050		1,555		1,58	6,100
1,500	NH150	0,050	+ ,010	1,691		1,72	7,600
1,750	NH175	0,062	- ,000	1,975	±0,003	2,01	12,900
2,000	NH200	0,062		2,257		2,30	16,200



Circlip in groove



Data

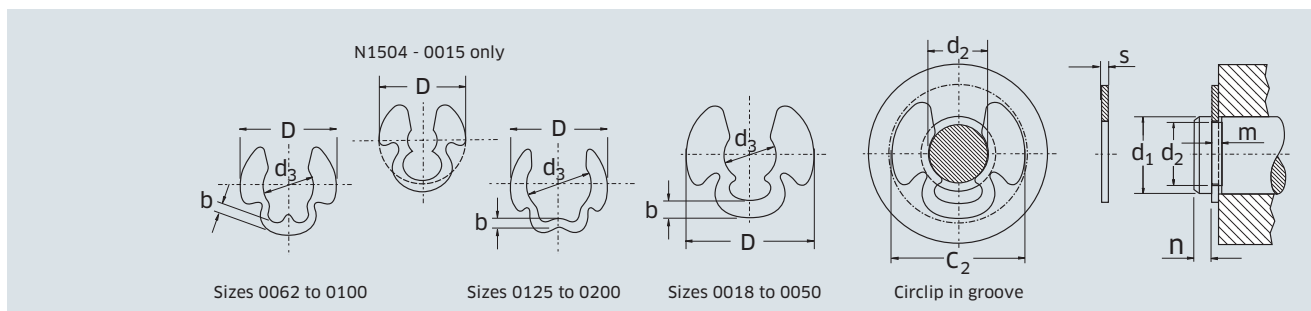
Part number	d_2	Tolerance	m	Tolerance	Tc	Tg	Applicators	Dispensor	Article No.
NH012	0,106	±0,015	0,018	+0,02	123	34	AM50	SF50	
NH015	0,135		0,018	- ,000	153	46	AM8	SF51	
NH018	0,165		0,018		185	61	AM10	SF52	
NH021	0,193	±0,002	0,029	+0,03	359	80	AM53	SF53	
NH023	0,208		0,029	- ,000	387	93	AM54	SF54	
NH025	0,220		0,029		410	106	AM12	SF55	
NH028	0,247		0,029		461	135	AM56	SF56	
NH031	0,276		0,029		511	159	AM13	SF57	
NH037	0,335		0,029		615	212	AM58	SF58	
NH040	0,364		0,029		665	241	AM59	SF59	
NH043	0,393		0,029		718	279	AM16	SF60	
NH050	0,450	±0,003	0,039		1150	353	AM61	SF61	
NH056	0,507		0,039		1290	437	AM18	SF62	
NH062	0,563		0,039		1430	548	AM38	SF63	
NH068	0,619		0,046		1890	671	AM64	SF64	
NH075	0,676		0,046		2070	785	AM40	SF65	
NH081	0,732		0,046		2240	918	AM66	SF66	
NH087	0,789		0,046		2410	1060	AM67	SF67	
NH093	0,843		0,046		2580	1260	AM68	SF68	
NH100	0,900		0,046		2750	1410	AM69	SF69	
NH112	1,013	±0,004	0,056	+0,04	3690	1780			
NH118	1,047		0,056	- ,000	3890	2370			
NH125	1,126		0,056		4100	2190			
NH137	1,237		0,056		4510	2680			
NH150	1,350	±0,005	0,056		4920	3180			
NH175	1,576		0,068		7110	4300			
NH200	1,800		0,068		8130	5650			

Kliprings

N1504/NKP



d_1	Part number	s	Tolerance	d_3	Tolerance	D	C_2	b ≈	Weight
									[lbs/1000]
0,156	NKP015	0,035	±,002	0,11	±,003	0,320	0,39	0,042	0,42
0,188	NKP018	0,035		0,140		0,400	0,42	0,048	0,63
0,250	NKP025	0,035		0,188		0,482	0,52	0,056	0,84
0,312	NKP031	0,042		0,250		0,588	0,63	0,074	1,46
0,375	NKP037	0,042		0,312	±,004	0,680	0,72	0,081	1,92
0,438	NKP043	0,050		0,375		0,752	0,79	0,081	2,66
0,500	NKP050	0,050		0,406		0,826	0,89	0,097	3,30
0,625	NKP062	0,050		0,500	±,005	0,966	1,03	0,086	4,65
0,750	NKP075	0,062	±,003	0,564		1,095	1,17	0,095	7,48
1,000	NKP100	0,078		0,812	±,006	1,415	1,51	0,115	13,80
1,250	NKP125	0,093		1,032		1,800	1,90	0,180	29,00
1,500	NKP150	0,109		1,250	±,008	2,050	2,18	0,208	37,10
1,750	NKP175	0,125	±,004	1,406	±,010	2,300	2,45	0,235	58,60
2,000	NKP200	0,125		1,625	±,015	2,650	2,83	0,250	59,20



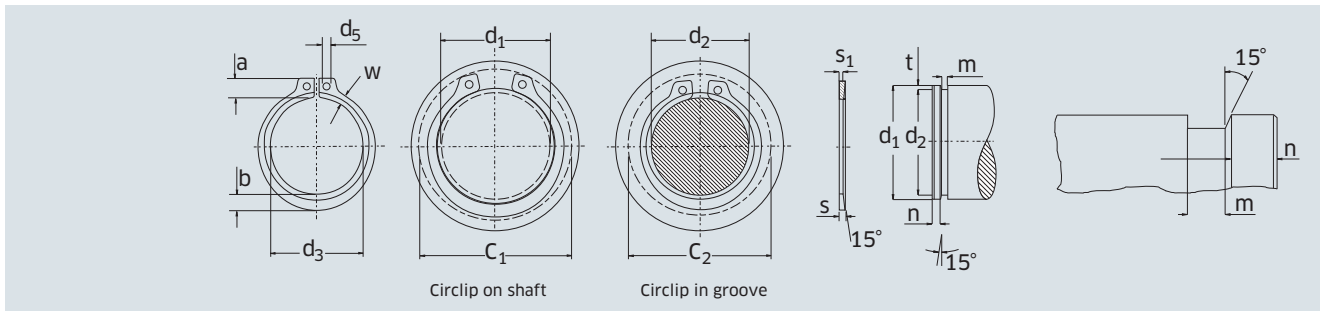
Part number	d ₂	Tolerance	m	Tolerance	n min.	Data		
						Tc	Tg	Article No.
NKP015	0,120	±,004	0,039	+,006	0,036	428	79	
NKP018	0,148	±,005	0,039	-,000	0,040	517	106	
NKP025	0,210	±,006	0,039		0,040	687	141	
NKP031	0,272		0,046		0,040	1030	176	
NKP037	0,331		0,046		0,044	1240	233	
NKP043	0,390	±,008	0,056		0,048	1720	297	
NKP050	0,440		0,056		0,060	1960	424	
NKP062	0,531		0,056		0,094	2450	830	
NKP075	0,632	±,010	0,068	+,008	0,118	3650	1250	
NKP100	0,860		0,086	-,000	0,140	6130	1980	
NKP125	1,090		0,103		0,160	9130	2830	
NKP150	1,317	±,015	0,120	+,010	0,182	12840	3880	
NKP175	1,480		0,139	-,000	0,270	17180	6680	
NKP200	1,730		0,139		0,270	19640	7630	

Bevelled rings for shafts

N1402/NAB



d_1	Part number	s	Tolerance	S_1	Tolerance	d_3	Tolerance	a max.	b ≈	w ~	d_5	C_1	C_2	Weight [lbs/1000]
1,000	NAB100	0,042	±0,002	0,034	±,001	0,925	+ ,005	0,171	0,116	0,065	0,076	1,36	1,31	3,60
1,023	NAB102	0,042		0,033		0,946	- ,010	0,172	0,118	0,066	0,076	1,38	1,34	3,90
1,062	NAB106	0,050		0,041		0,982	+ ,010	0,185	0,122	0,069	0,076	1,45	1,40	4,80
1,125	NAB112	0,050		0,041		1,041	- ,015	0,186	0,128	0,071	0,076	1,51	1,47	5,10
1,188	NAB118	0,050		0,041		1,098		0,186	0,132	0,072	0,076	1,58	1,53	5,60
1,250	NAB125	0,050		0,040		1,156		0,187	0,140	0,076	0,076	1,64	1,59	5,90
1,312	NAB131	0,050		0,039		1,214		0,187	0,146	0,077	0,076	1,70	1,65	6,80
1,375	NAB137	0,050		0,039		1,272		0,188	0,152	0,082	0,076	1,77	1,71	7,20
1,438	NAB143	0,050		0,039		1,333		0,188	0,160	0,086	0,076	1,83	1,77	8,10
1,500	NAB150	0,050		0,038		1,387		0,218	0,168	0,091	0,118	1,96	1,89	9,00
1,562	NAB156	0,062	±0,003	0,049		1,446	+ ,013	0,239	0,172	0,093	0,123	2,06	1,99	12,40
1,625	NAB162	0,062		0,049		1,503	- ,020	0,239	0,180	0,097	0,123	2,12	2,05	13,20
1,688	NAB168	0,062		0,048		1,560		0,239	0,184	0,098	0,123	2,19	2,11	14,80
1,750	NAB175	0,062		0,048		1,618		0,241	0,188	0,101	0,123	2,25	2,18	15,30
1,772	NAB177	0,062		0,048		1,637		0,241	0,190	0,102	0,123	2,28	2,20	15,40
1,812	NAB181	0,062		0,048		1,675		0,242	0,192	0,102	0,123	2,32	2,24	16,20
1,875	NAB187	0,062		0,048		1,735		0,243	0,196	0,104	0,123	2,38	2,30	17,30
1,969	NAB196	0,062		0,047		1,819		0,249	0,200	0,106	0,123	2,49	2,40	18,00
2,000	NAB200	0,062		0,047		1,850		0,243	0,204	0,108	0,123	2,71	2,42	19,00
2,062	NAB206	0,078		0,062	±,0015	1,906	+ ,015	0,271	0,208	0,111	0,123	2,63	2,54	25,00
2,125	NAB212	0,078		0,062		1,964	- ,025	0,271	0,212	0,113	0,123	2,69	2,60	26,10
2,156	NAB215	0,078		0,062		1,993		0,271	0,212	0,113	0,123	2,72	2,63	26,30
2,250	NAB225	0,078		0,061		2,081		0,272	0,220	0,116	0,123	2,82	2,72	27,70
2,312	NAB231	0,078		0,060		2,139		0,272	0,222	0,118	0,123	2,88	2,78	28,80
2,375	NAB237	0,078		0,060		2,197		0,272	0,224	0,119	0,123	2,95	2,84	29,20
2,438	NAB243	0,078		0,060		2,255		0,273	0,228	0,120	0,123	3,01	2,91	29,50
2,500	NAB250	0,078		0,059		2,313		0,273	0,232	0,122	0,123	3,08	2,97	29,70
2,559	NAB255	0,078		0,059		2,377	+ ,020	0,273	0,238	0,125	0,123	3,14	3,03	33,90
2,625	NAB262	0,078		0,059		2,428	- ,030	0,273	0,242	0,127	0,123	3,20	3,09	35,00
2,688	NAB268	0,078		0,059		2,485		0,273	0,246	0,129	0,123	3,27	3,15	36,00
2,750	NAB275	0,093		0,073	±,002	2,543		0,315	0,248	0,131	0,123	3,41	3,29	47,00
2,875	NAB287	0,093		0,072		2,659		0,313	0,256	0,133	0,123	3,53	3,41	48,50
2,938	NAB293	0,093		0,072		2,717		0,313	0,260	0,136	0,123	3,60	3,47	50,00
3,000	NAB300	0,093		0,071		2,775		0,313	0,264	0,138	0,123	3,66	3,53	52,00
3,062	NAB306	0,093		0,071		2,832		0,303	0,252	0,131	0,123	3,70	3,57	57,00



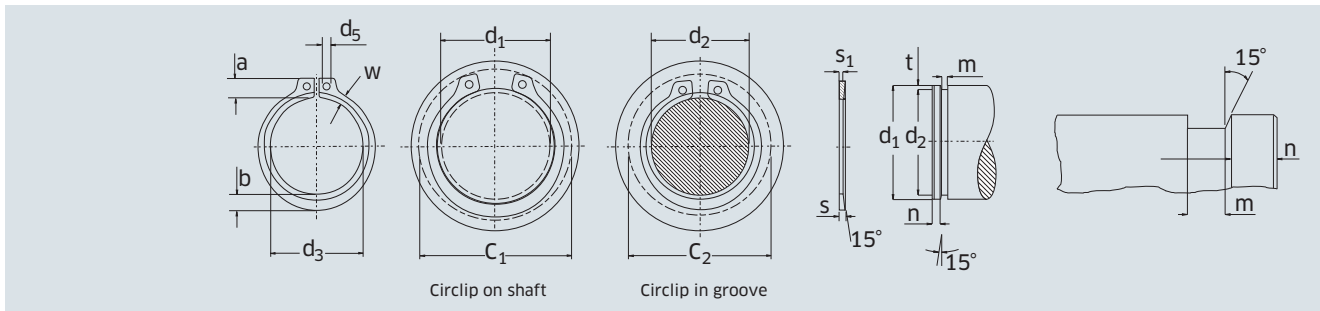
Part number	d ₂	Tolerance	m	Tolerance	n min.	Data		
						Tc	Tg	Article No.
NAB100	0,930	+0,00	0,037	+0,001	0,052	5940	990	
NAB102	0,951	-0,003	0,036	-0,000	0,054	6070	1040	
NAB106	0,992	+0,00	0,044		0,052	7500	1050	
NAB112	1,051	-0,004	0,044		0,055	7950	1180	
NAB118	1,108		0,044		0,060	8400	1340	
NAB125	1,166		0,043		0,063	8840	1480	
NAB131	1,224		0,042		0,066	9270	1650	
NAB137	1,282		0,042		0,069	9720	1790	
NAB143	1,343		0,042		0,070	10160	1910	
NAB150	1,397		0,041		0,076	10600	2160	
NAB156	1,459	+0,00	0,053		0,076	11400	2250	
NAB162	1,516	-0,005	0,053		0,081	11870	2480	
NAB168	1,573		0,052		0,085	12330	2720	
NAB175	1,631		0,052		0,088	12780	2920	
NAB177	1,650		0,052		0,090	12940	3060	
NAB181	1,688		0,052		0,093	13240	3180	
NAB187	1,748		0,052		0,094	13700	3340	
NAB196	1,832		0,051		0,102	14380	3785	
NAB200	1,863		0,051		0,102	14600	3845	
NAB206	1,921	+0,00	0,067		0,105	18950	4080	
NAB212	1,979	-0,006	0,067	+0,0015	0,109	19530	4390	
NAB215	2,008		0,067	-0,000	0,111	19810	4510	
NAB225	2,096		0,066		0,115	20680	4900	
NAB231	2,154		0,065		0,118	21250	5160	
NAB237	2,212		0,065		0,121	21820	5440	
NAB243	2,270		0,065		0,126	22400	5790	
NAB250	2,328		0,064		0,129	22970	6080	
NAB255	2,397		0,064		0,121	23520	5860	
NAB262	2,448		0,064		0,132	24120	6530	
NAB268	2,505		0,064		0,136	24700	6920	
NAB275	2,563		0,079		0,139	30130	7230	
NAB287	2,679		0,078		0,147	31500	7970	
NAB293	2,737		0,078		0,150	32190	8310	
NAB300	2,795		0,077		0,153	32870	8650	
NAB306	2,852		0,077		0,157	33550	9090	

Bevelled rings for shafts

N1402/NAB



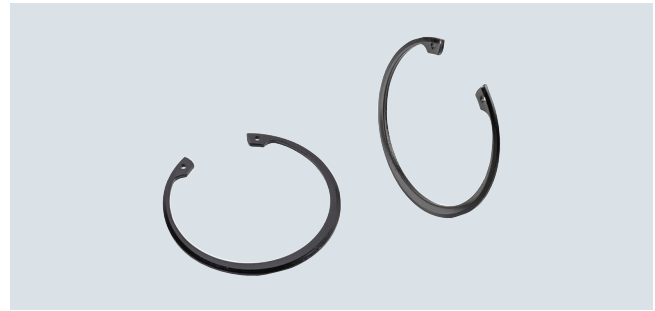
d_1	Part number	s	Tolerance	S_1	Tolerance	d_3	Tolerance	a max.	b ≈	w ~	d_5	C_1	C_2	Weight [lbs/1000]
3,125	NAB312	0,093	±0,003	0,070	±,002	2,892	+ ,020	0,313	0,272	0,141	0,123	3,82	3,73	58,0
3,156	NAB315	0,093		0,070		2,920	- ,030	0,313	0,274	0,143	0,123	3,85	3,75	59,0
3,250	NAB325	0,093		0,070		3,006		0,313	0,280	0,145	0,123	3,95	3,85	62,0
3,346	NAB334	0,093		0,069		3,092		0,313	0,286	0,147	0,123	4,04	3,94	64,0
3,438	NAB343	0,093		0,069		3,179		0,313	0,292	0,148	0,123	4,14	4,03	66,0
3,500	NAB350	0,109		0,084	±,0025	3,237		0,333	0,285	0,148	0,123	4,25	4,14	72,0
3,543	NAB354	0,109		0,084		3,277		0,333	0,288	0,149	0,123	4,29	4,18	73,0
3,625	NAB362	0,109		0,083		3,352		0,333	0,296	0,153	0,123	4,37	4,25	76,0
3,688	NAB368	0,109		0,083		3,410		0,335	0,302	0,156	0,123	4,43	4,31	80,0
3,750	NAB375	0,109		0,082		3,468		0,337	0,310	0,160	0,123	4,50	4,38	83,0
3,875	NAB387	0,109		0,082		3,584		0,335	0,318	0,163	0,123	4,60	4,47	88,0
3,938	NAB393	0,109		0,081		3,642		0,347	0,318	0,163	0,123	4,70	4,57	95,0
4,000	NAB400	0,109		0,081		3,700		0,357	0,318	0,163	0,123	4,78	4,65	101,0
4,250	NAB425	0,109		0,087		3,989		0,403	0,318	0,176	0,123	5,09	4,98	112,0
4,375	NAB437	0,109		0,087		4,106		0,403	0,318	0,181	0,123	5,22	5,10	115,0
4,500	NAB450	0,109		0,087		4,223		0,412	0,285	0,128	0,123	5,37	5,25	101,0
4,750	NAB475	0,109		0,085		4,458		0,437	0,303	0,136	0,123	5,67	5,54	113,0
5,000	NAB500	0,109		0,084		4,692		0,458	0,360	0,194	0,151	5,96	5,83	149,0
5,250	NAB525	0,125	±0,004	0,098	±,003	4,927	+ ,020	0,480	0,372	0,211	0,151	6,27	6,12	190,0
5,500	NAB550	0,125		0,097		5,162	- ,040	0,505	0,390	0,209	0,151	6,57	6,42	201,0
5,750	NAB575	0,125		0,096		5,396		0,526	0,408	0,220	0,151	6,86	6,70	199,0
6,000	NAB600	0,125		0,095		5,631		0,548	0,381	0,171	0,151	7,16	6,99	210,0
6,250	NAB625	0,156	±0,005	0,124		5,866	+ ,020	0,573	0,396	0,176	0,151	7,46	7,24	282,0
6,500	NAB650	0,156		0,123		6,100	- ,050	0,598	0,438	0,236	0,151	7,87	7,69	330,0
6,750	NAB675	0,156		0,122		6,335		0,620	0,456	0,246	0,182	8,06	7,87	356,0
7,000	NAB700	0,156		0,122		6,570		0,641	0,474	0,256	0,182	8,36	8,16	388,0
7,500	NAB750	0,187		0,149		7,039	+ ,020	0,688	0,507	0,269	0,182	8,96	8,75	534,0
8,000	NAB800	0,187		0,149		7,508	- ,060	0,734	0,540	0,287	0,182	9,56	9,33	628,0
8,500	NAB850	0,187		0,148		7,977		0,778	0,573	0,305	0,182	10,16	9,91	700,0
9,000	NAB900	0,187		0,145		8,445		0,824	0,609	0,324	0,182	10,75	10,49	757,0
9,500	NAB950	0,187		0,141		8,915		0,866	0,642	0,347	0,182	11,34	11,06	820,0
10,000	NAB1000	0,187		0,139		9,385		0,912	0,675	0,357	0,182	11,94	11,65	964,0



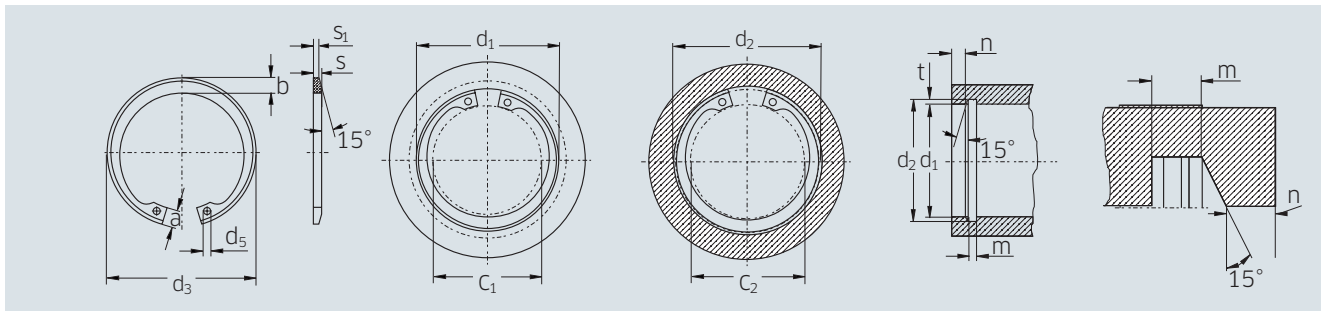
Part number	d ₂	Tolerance	m	Tolerance	n min.	Data		
						Tc	Tg	Article No.
NAB312	2,912	+0,00	0,076	+0,015	0,159	34300	11700	
NAB315	2,940	-0,006	0,076	-0,000	0,162	34600	11900	
NAB325	3,026		0,076		0,168	35600	12700	
NAB334	3,112		0,075		0,175	36700	13600	
NAB343	3,199		0,075		0,178	37700	14300	
NAB350	3,257		0,091	+0,002	0,181	44900	14800	
NAB354	3,297		0,091	-0,000	0,184	45500	15200	
NAB362	3,372		0,090		0,188	46600	16300	
NAB368	3,430		0,090		0,193	47300	16500	
NAB375	3,488		0,089		0,196	48100	17200	
NAB387	3,604		0,089		0,202	49700	18300	
NAB393	3,662		0,088		0,207	50600	19000	
NAB400	3,720		0,088		0,210	51400	19600	
NAB425	4,009		0,094		0,180	54600	18000	
NAB437	4,126		0,094		0,186	56200	19000	
NAB450	4,243		0,094		0,192	57800	20200	
NAB475	4,478		0,092		0,192	61000	22700	
NAB500	4,712		0,091		0,204	64200	25400	
NAB525	4,947	+0,00	0,105		0,216	77300	29000	
NAB550	5,182	-0,007	0,104		0,238	81000	30800	
NAB575	5,416		0,103		0,250	84700	33800	
NAB600	5,651		0,102		0,261	88300	37000	
NAB625	5,886	+0,00	0,132	+0,003	0,273	114800	40000	
NAB650	6,120	-0,008	0,131	-0,000	0,285	119400	43500	
NAB675	6,355		0,130		0,295	124000	47000	
NAB700	6,590		0,129		0,307	128600	50500	
NAB750	7,059		0,158		0,330	165200	58000	
NAB800	7,528		0,157		0,354	176200	66500	
NAB850	7,997		0,154		0,376	187200	75000	
NAB900	8,465		0,153		0,400	198200	86000	
NAB950	8,935		0,150		0,423	209200	94500	
NAB1000	9,405		0,148		0,445	220200	105000	

Bevelled rings for bores

M1302/JB



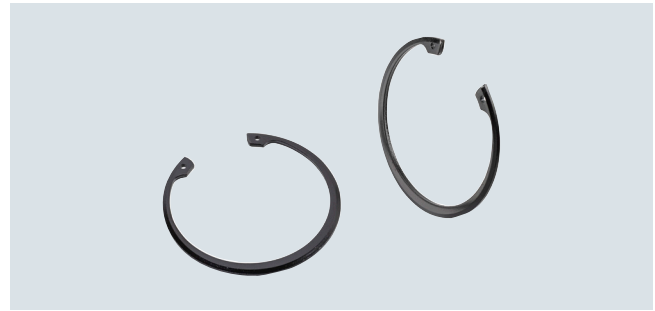
d_1	Part number	s	Tolerance	s_1	Tolerance	d_3	Tolerance	a max.	b ≈	d_5 min.	C_1	C_2	Weight [kg/1000]
40	JB40	1,65	-0,15	1,25	-0,05	44,0	+0,9	5,3	4,0	1,9	28,9	32,2	4,05
41	JB41	1,65		1,22		45,8	-0,6	5,9	4,0	1,9	28,1	32,2	4,55
42	JB42	1,65		1,22		46,6		5,9	4,2	1,9	29,0	33,2	4,73
43	JB43	1,65		1,19		47,6		5,9	4,3	1,9	30,6	34,2	4,91
44	JB44	1,65		1,19		49,3		6,1	4,3	1,9	31,2	35,0	4,68
46	JB46	1,65		1,19		51,1		6,1	4,3	2,3	33,2	37,2	5,23
47	JB47	1,65		1,19		52,2		6,1	4,3	2,3	34,2	38,2	5,82
48	JB48	1,65		1,19		52,6		6,1	4,3	2,3	35,2	39,3	5,82
51	JB51	1,65		1,15		56,1		6,2	4,3	2,3	38,0	42,2	6,36
52	JB52	2,05		1,50	-0,075	57,9	+1,0	6,5	4,7	2,3	38,4	42,7	8,18
54	JB54	2,05		1,56		59,7	-0,75	6,7	4,9	2,3	40,0	44,5	8,82
56	JB56	2,05		1,54		61,3		6,8	5,0	2,3	41,7	46,5	8,91
57	JB57	2,05		1,54		63,2		7,0	5,2	2,3	42,3	47,5	9,91
60	JB60	2,05		1,51		66,8		7,0	5,3	2,3	45,3	50,5	10,55
62	JB62	2,05		1,48		68,6		7,2	5,2	2,7	46,9	52,1	11,54
63	JB63	2,05		1,48		77,5		7,2	5,3	2,7	47,9	53,3	11,59
65	JB65	2,45		1,88	-0,10	72,2		7,5	5,6	2,7	49,3	54,8	15,45
67	JB67	2,45		1,85		73,9		7,5	5,7	2,7	51,2	56,9	15,68
68	JB68	2,45		1,85		75,7		7,7	6,0	2,7	51,9	57,7	15,91
70	JB70	2,45		1,83		77,5		7,7	5,9	2,7	53,9	59,8	16,14
72	JB72	2,45		1,83		79,3		7,7	5,8	2,7	55,9	61,9	16,36
78	JB78	2,85		2,15	-0,13	86,8	±1,4	8,1	6,5	3,1	61,0	67,5	24,09
80	JB80	2,85		2,15		89,5		8,1	6,7	3,1	63,0	69,8	25,19
82	JB82	2,85		2,15		92,0		8,9	6,8	3,1	63,3	70,3	27,27
85	JB85	2,85		2,15		94,8		8,9	7,0	3,1	66,3	73,4	29,55
88	JB88	2,85		2,15		98,0		8,9	7,4	3,1	69,3	76,8	31,36
90	JB90	2,85		2,15		100,0		8,9	7,4	3,1	71,3	79,0	32,73
92	JB92	2,85		2,15		102,2		8,9	7,7	3,1	73,3	81,2	33,18
95	JB95	2,85		2,15		105,6	±1,65	8,9	7,8	3,1	75,3	84,3	35,45
98	JB98	2,85		2,15		109,0		9,6	8,1	3,1	77,9	86,3	39,55
100	JB100	2,85		2,15		110,7		9,6	8,1	3,1	79,9	88,4	40,00
102	JB102	2,85		2,15		112,4		9,6	8,4	3,1	81,9	90,5	42,27
105	JB105	2,85		2,15		115,8		9,6	8,4	3,1	84,9	93,6	44,09
108	JB108	2,85		2,15		119,2		9,6	8,5	3,1	87,9	96,9	45,91
110	JB110	2,85		2,15		120,8		10,5	8,6	3,8	89,9	97,0	47,73



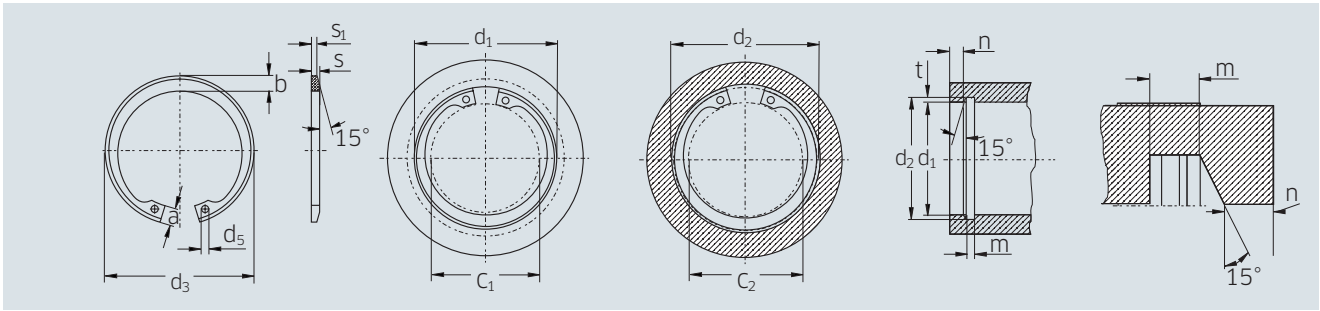
Part number	d_2	Tolerance	m min.	Tolerance	t	Data					Article No.
						n	FR [kN]	g	FRg [kN]	K [kN/mm]	
JB40	42,8	+0,13	1,30	+0,025	1,40	4,5	24,8	2,0	4,6	47,2	
JB41	44,0		1,30		1,40	4,7	23,2	2,0	4,3	44,2	
JB42	45,0		1,30		1,50	4,8	23,7	2,0	4,4	45,5	
JB43	46,0		1,27		1,50	4,9	22,9	2,0	4,3	44,2	
JB44	47,2		1,27		1,85	5,1	22,1	2,0	4,2	42,9	
JB46	49,4		1,27		1,70	5,2	20,9	2,0	4,0	40,9	
JB47	50,4		1,27		1,70	5,3	20,3	2,0	3,9	40,4	
JB48	51,5		1,27		1,75	5,4	17,9	2,0	3,5	35,5	
JB51	54,6		1,22		1,80	5,7	17,5	2,0	3,4	35,2	
JB52	55,7	+0,15	1,65	+0,038	1,85	5,9	46,3	2,0	9,1	81,3	
JB54	57,9		1,65		1,95	6,1	45,9	2,0	9,1	81,5	
JB56	60,1		1,63		2,05	6,4	43,9	2,0	8,8	78,7	
JB57	61,5		1,63		2,25	6,7	44,5	2,0	8,9	80,1	
JB60	64,5		1,60		2,25	7,0	43,6	2,0	7,8	79,7	
JB62	66,5		1,57		2,25	7,0	38,0	2,0	7,8	70,0	
JB63	67,7		1,57		2,35	7,2	37,9	2,0	7,8	70,2	
JB65	69,8		1,98		2,40	7,4	71,1	2,5	11,9	132,9	
JB67	71,9		1,96		2,45	7,7	68,1	2,5	11,6	128,6	
JB68	73,1		1,96		2,55	7,8	70,4	2,5	12,0	133,4	
JB70	75,2		1,93		2,60	8,0	66,0	2,5	11,4	126,3	
JB72	77,3		1,93		2,65	8,2	61,9	2,5	10,8	119,6	
JB78	73,7		2,26	+0,051	2,85	8,9	112,7	2,5	20,2	197,5	
JB80	86,0		2,26		3,00	9,0	112,2	2,5	20,2	198,4	
JB82	88,1		2,26		3,05	9,1	110,0	2,5	20,0	196,5	
JB85	91,2		2,26		3,10	9,6	108,0	3,0	16,6	195,3	
JB88	94,6		2,26		3,30	10,0	108,8	3,0	16,9	199,3	
JB90	96,8		2,26		3,40	10,4	105,3	3,0	16,5	194,5	
JB92	99,0		2,26		3,50	10,7	106,4	3,0	16,8	198,0	
JB95	102,1		2,26		3,55	11,3	103,1	3,0	16,6	194,3	
JB98	105,5		2,26		3,75	11,5	102,4	3,0	16,6	195,4	
JB100	107,6		2,26		3,80	11,6	99,5	3,0	16,3	191,4	
JB102	109,7		2,26		3,85	11,7	100,5	3,0	16,6	194,8	
JB105	112,8		2,26		3,90	12,0	96,4	3,0	16,1	183,1	
JB108	116,1		2,26		4,05	12,1	93,6	3,0	15,8	185,8	
JB110	118,0		2,26		4,00	12,3	92,5	3,0	15,7	184,9	

Bevelled rings for bores

M1302/JB



d_1	Part number	s	Tolerance	s_1	Tolerance	d_3	Tolerance	a max.	b ≈	d_5 min.	C_1	C_2	Weight [kg/1000]
115	JB115	2,85	-0,15	2,15	-0,13	125,5	±1,65	10,5	8,9	3,8	93,0	102,2	50,45
118	JB118	2,85		2,15		128,9		10,5	8,9	3,8	96,0	105,3	53,18
120	JB120	2,85		2,15		132,4		10,5	9,1	3,8	98,0	107,6	56,36
127	JB127	2,85		2,15		139,3		11,3	9,9	3,8	103,7	113,2	61,82
140	JB140	3,25	-0,20	2,49	-0,15	154,1		11,8	10,4	3,8	115,2	125,6	83,18

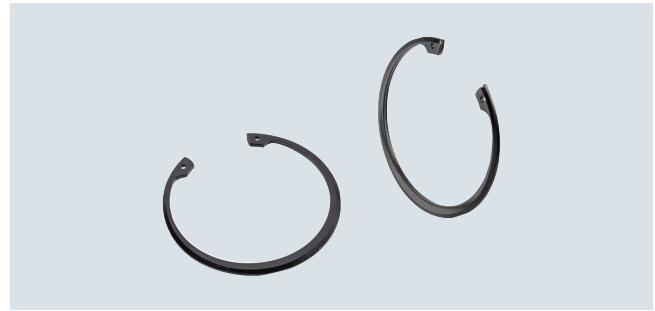


Data

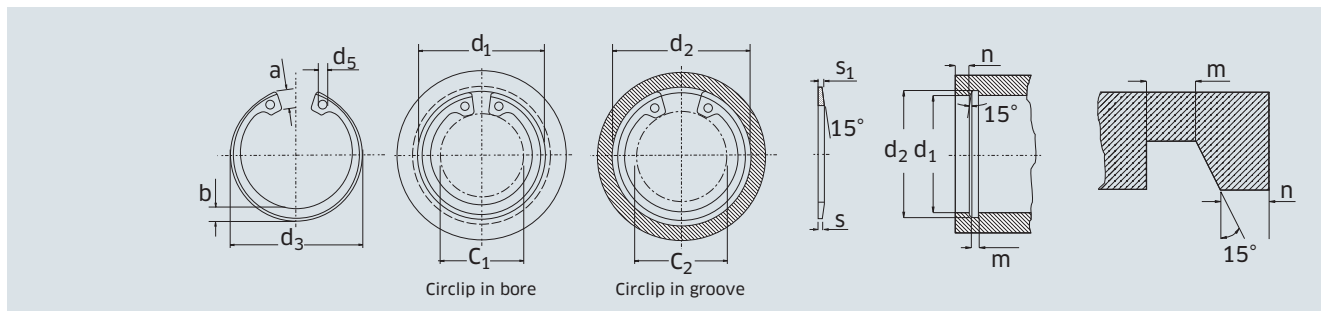
Part number	d_2	Tolerance	m min.	Tolerance	t	n	FR [kN]	g	FRg [kN]	K [kN/mm]	Article No.
JB115	123,2	+0,15	2,26	+0,051	4,10	12,6	89,8	3,0	15,6	183,2	
JB118	126,3		2,26		4,15	12,8	86,5	3,0	15,2	178,5	
JB120	128,6		2,26		4,30	13,0	86,3	3,0	15,3	179,2	
JB127	135,8		2,26		4,40	13,4	86,8	3,0	15,7	184,9	
JB140	149,2		2,59		4,60	14,1	119,6	3,0	22,7	266,9	

Bevelled rings for bores

N1302/NJB



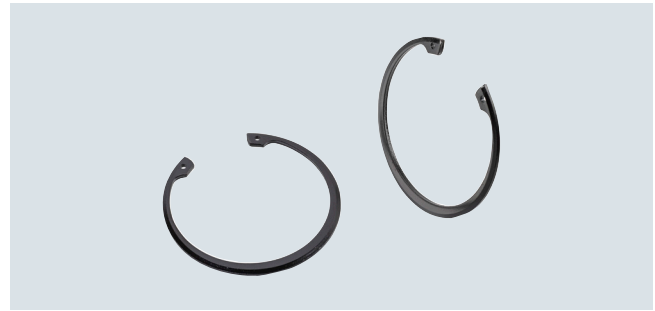
d_1	Part number	s	Tolerance	s_1	Tolerance	d_3	Tolerance	a max.	b ≈	w ~	d_5 min.	C_1	C_2	Weight [lbs/1000]
1,375	NJB137	0,050	±0,002	0,038	±,001	1,526	+0,25	0,185	0,130	0,063	0,057	0,99	1,03	5,1
1,500	NJB150	0,050		0,037		1,660	-0,20	0,185	0,133	0,066	0,060	1,12	1,17	6,5
1,562	NJB156	0,062	±0,003	0,048		1,734	+0,35	0,207	0,160	0,078	0,076	1,10	1,15	8,9
1,625	NJB162	0,062		0,049		1,804	-0,25	0,229	0,160	0,082	0,076	1,16	1,22	10,0
1,653	NJB165	0,062		0,047		1,835		0,229	0,167	0,083	0,076	1,17	1,22	10,5
1,688	NJB168	0,062		0,046		1,874		0,229	0,170	0,085	0,076	1,23	1,29	10,8
1,750	NJB175	0,062		0,046		1,942		0,239	0,175	0,083	0,076	1,26	1,31	10,3
1,812	NJB181	0,062		0,046		2,012		0,239	0,170	0,084	0,091	1,32	1,38	11,5
1,850	NJB185	0,062		0,046		2,054		0,239	0,170	0,085	0,091	1,35	1,42	12,8
1,875	NJB187	0,062		0,046		2,072		0,239	0,170	0,085	0,091	1,37	1,44	13,0
1,938	NJB193	0,062		0,045		2,141		0,239	0,165	0,085	0,091	1,44	1,51	13,3
2,000	NJB200	0,062		0,044		2,210		0,245	0,170	0,085	0,091	1,50	1,57	14,0
2,062	NJB206	0,078		0,060	±,0015	2,280	+0,40	0,255	0,186	0,091	0,091	1,54	1,61	18,0
2,125	NJB212	0,078		0,060		2,350	-0,30	0,265	0,195	0,096	0,091	1,58	1,65	19,4
2,188	NJB218	0,078		0,059		2,415		0,269	0,199	0,098	0,091	1,64	1,72	19,6
2,250	NJB225	0,078		0,059		2,490		0,275	0,203	0,099	0,091	1,69	1,77	21,8
2,312	NJB231	0,078		0,058		2,560		0,275	0,205	0,102	0,091	1,75	1,82	22,6
2,375	NJB237	0,078		0,058		2,630		0,275	0,207	0,102	0,091	1,81	1,89	23,2
2,440	NJB244	0,078		0,057		2,702		0,285	0,205	0,103	0,108	1,86	1,94	25,4
2,500	NJB250	0,078		0,057		2,775		0,295	0,210	0,103	0,108	1,91	2,00	25,5
2,562	NJB256	0,093		0,072	±,002	2,844		0,295	0,222	0,109	0,108	1,95	2,04	34,0
2,625	NJB262	0,093		0,071		2,910		0,295	0,226	0,111	0,108	2,02	2,11	34,5
2,688	NJB268	0,093		0,071		2,980		0,305	0,236	0,113	0,108	2,06	2,16	35,0
2,750	NJB275	0,093		0,070		3,050		0,305	0,234	0,115	0,108	2,12	2,21	35,5
2,812	NJB281	0,093		0,070		3,121		0,305	0,230	0,115	0,108	2,18	2,27	36,0
2,875	NJB287	0,093		0,070		3,191		0,315	0,240	0,120	0,108	2,22	2,32	41,0
3,000	NJB300	0,093		0,068		3,325		0,318	0,250	0,122	0,108	2,35	2,46	42,4
3,062	NJB306	0,109		0,082	±,0025	3,418	+0,55	0,318	0,254	0,126	0,123	2,41	2,51	53,0
3,125	NJB312	0,109		0,082		3,488		0,318	0,260	0,129	0,123	2,47	2,58	56,0
3,156	NJB315	0,109		0,082		3,523		0,318	0,260	0,129	0,123	2,50	2,61	57,0
3,250	NJB325	0,109		0,082		3,623		0,350	0,269	0,135	0,123	2,54	2,65	60,0
3,346	NJB334	0,109		0,082		3,734		0,350	0,276	0,140	0,123	2,63	2,74	65,0
3,469	NJB346	0,109		0,082		3,857		0,350	0,294	0,144	0,123	2,76	2,88	69,0
3,500	NJB350	0,109		0,082		3,890		0,350	0,294	0,142	0,123	2,79	2,91	71,0
3,543	NJB354	0,109		0,082		3,936		0,350	0,292	0,142	0,123	2,85	2,97	78,0



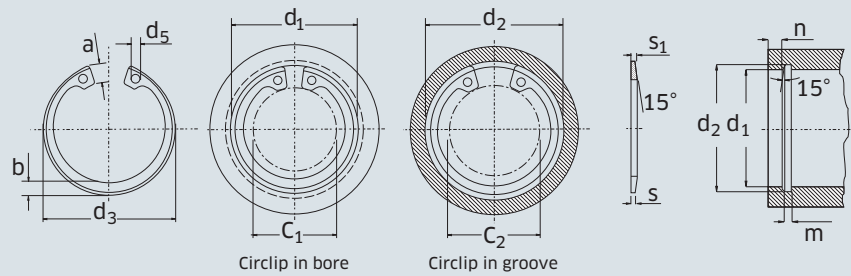
Part number	d ₂	Tolerance	m	Tolerance	n min.	Data		
						Tc	Tg	Article No.
NJB137	1,475	+0,04	0,041	+0,01	0,075	9700	2900	
NJB150	1,604	-0,00	0,040	-0,00	0,078	10550	3300	
NJB156	1,674	+0,05	0,052		0,176	13700	3600	
NJB162	1,743	-0,00	0,051		0,185	14200	4000	
NJB165	1,773		0,051		0,188	14500	4200	
NJB168	1,810		0,050		0,191	14800	4300	
NJB175	1,878		0,050		0,200	15300	4700	
NJB181	1,944		0,050		0,206	15900	5050	
NJB185	1,984		0,050		0,209	16200	5200	
NJB187	2,011		0,050		0,212	16450	5400	
NJB193	2,082		0,049		0,224	17000	5900	
NJB200	2,144		0,048		0,224	17500	6100	
NJB206	2,210	+0,06	0,065	+0,015	0,231	22750	6500	
NJB212	2,279	-0,00	0,065	-0,00	0,240	23400	7000	
NJB218	2,350		0,064		0,252	24100	7450	
NJB225	2,420		0,064		0,264	24850	8050	
NJB231	2,484		0,063		0,267	25450	8400	
NJB237	2,552		0,063		0,275	26150	8900	
NJB244	2,618		0,062		0,276	26900	9100	
NJB250	2,684		0,062		0,285	27600	9600	
NJB256	2,750		0,078		0,291	33700	10200	
NJB262	2,820		0,077		0,302	34550	20800	
NJB268	2,887		0,077		0,308	35400	11300	
NJB275	2,955		0,076		0,317	36100	11800	
NJB281	3,020		0,076		0,321	36950	12200	
NJB287	3,085		0,076		0,324	37800	12600	
NJB300	3,225		0,074		0,347	39500	14200	
NJB306	3,290		0,089	+0,02	0,351	47100	14800	
NJB312	3,355		0,083	-0,00	0,354	48100	15200	
NJB315	3,388		0,089		0,357	48600	15500	
NJB325	3,489		0,089		0,368	50000	16400	
NJB334	3,591		0,089		0,377	51600	17300	
NJB346	3,726		0,089		0,395	53400	18800	
NJB350	3,760		0,089		0,399	53900	19300	
NJB354	3,806		0,089		0,396	54600	19800	

Bevelled rings for bores

N1302/NJB



d ₁	Part number	s	Tolerance	s ₁	Tolerance	d ₃	Tolerance	a max.	b ≈	w ~	d ₅ min.	C ₁	C ₂	Weight [lbs/1000]
3,625	NJB362	0,109	±0,003	0,082	±,0025	4,024	±,065	0,350	0,298	0,150	0,123	2,91	3,03	73,0
3,750	NJB375	0,109		0,082		4,157		0,350	0,309	0,155	0,123	3,03	3,17	78,0
3,875	NJB387	0,109		0,082		4,291		0,378	0,312	0,160	0,123	3,11	3,25	87,0
3,938	NJB393	0,109		0,082		4,358		0,378	0,320	0,161	0,123	3,17	3,31	88,0
4,000	NJB400	0,109		0,082		4,424		0,378	0,330	0,166	0,123	3,23	3,37	93,0
4,125	NJB412	0,109		0,082		4,558		0,378	0,330	0,171	0,123	3,36	3,51	97,0
4,250	NJB425	0,109		0,082		4,691		0,378	0,335	0,180	0,123	3,48	3,63	101,0
4,331	NJB433	0,109		0,082		4,756		0,413	0,345	0,181	0,151	3,50	3,65	105,0
4,500	NJB450	0,109		0,082		4,940		0,413	0,351	0,183	0,151	3,66	3,81	111,0
4,625	NJB462	0,109		0,082		5,076		0,413	0,350	0,183	0,151	3,79	3,95	117,0
4,750	NJB475	0,109		0,082		5,213		0,413	0,370	0,183	0,151	3,90	4,06	124,0
5,000	NJB500	0,109		0,082		5,485		0,443	0,395	0,186	0,151	4,08	4,25	136,0
5,250	NJB525	0,125	±0,004	0,095	±,003	5,770		0,465	0,408	0,198	0,151	4,31	4,48	174,0
5,375	NJB537	0,125		0,095		5,910		0,465	0,408	0,198	0,151	4,41	4,58	179,0
5,500	NJB550	0,125		0,095		6,066		0,465	0,408	0,198	0,151	4,53	4,70	183,0
5,750	NJB575	0,125		0,095		6,336		0,465	0,408	0,198	0,198	4,78	4,96	192,0
6,000	NJB600	0,125		0,095		6,620		0,465	0,416	0,196	0,223	5,03	5,21	201,0
6,250	NJB625	0,156	±0,005	0,121		6,895	±,080	0,454	0,441	0,211	0,213	5,24	5,43	266,0
6,500	NJB650	0,156		0,121		7,170		0,454	0,441	0,219	0,244	5,49	5,68	281,0
6,625	NJB662	0,156		0,121		7,308		0,454	0,441	0,221	0,220	5,60	5,80	305,0
6,750	NJB675	0,156		0,120		7,445		0,508	0,456	0,224	0,224	5,65	5,85	325,0
7,000	NJB700	0,156		0,120		7,720		0,540	0,485	0,232	0,258	5,88	6,09	344,0
7,250	NJB725	0,187		0,150		7,995	±,090	0,570	0,490	0,238	0,239	6,08	6,30	428,0
7,500	NJB750	0,187		0,150		8,270		0,570	0,507	0,247	0,282	6,33	6,56	485,0
7,750	NJB775	0,187		0,150		8,545		0,560	0,500	0,255	0,241	6,58	6,82	520,0
8,000	NJB800	0,187		0,146		8,820		0,600	0,550	0,262	0,280	6,75	6,99	555,0
8,250	NJB825	0,187		0,146		9,095		0,600	0,548	0,270	0,260	7,00	7,25	603,0
8,500	NJB850	0,187		0,142		9,285		0,632	0,573	0,277	0,277	7,13	7,39	634,0
8,750	NJB875	0,187		0,142		9,558		0,632	0,576	0,286	0,283	7,38	7,65	653,0
9,000	NJB900	0,187		0,142		9,830		0,632	0,592	0,294	0,295	7,63	7,91	732,0
9,250	NJB925	0,187		0,142		10,102		0,632	0,622	0,299	0,299	7,88	8,16	767,0
9,500	NJB950	0,187		0,138		10,375		0,632	0,622	0,304	0,354	7,98	8,27	803,0
9,750	NJB975	0,187		0,138		10,648		No	0,622	0,309	0,295	8,23	8,52	833,0
10,000	NJB1000	0,187		0,138		10,920		LUG	0,622	0,315	0,295	8,48	8,78	863,0



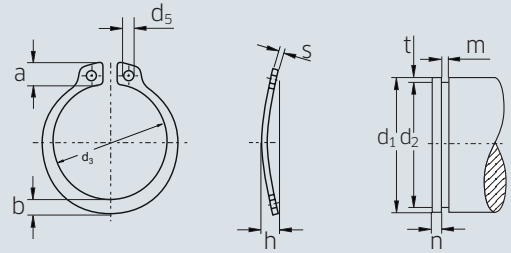
Part number	d ₂	Tolerance	m	Tolerance	n min.	Data		
						Tc	Tg	Article No.
NJB362	3,900	+0,06	0,089	+0,02	0,422	55900	21100	
NJB375	4,040	-0,00	0,089	-0,00	0,444	57700	23100	
NJB387	4,171		0,089		0,453	49700	16500	
NJB393	4,236		0,089		0,456	50500	16900	
NJB400	4,302		0,089		0,462	51300	17400	
NJB412	4,433		0,089		0,471	53000	18300	
NJB425	4,562		0,089		0,477	54500	19100	
NJB433	4,647		0,089		0,483	55600	19700	
NJB450	4,824		0,089		0,495	57800	21000	
NJB462	4,955		0,089		0,504	59400	22000	
NJB475	4,086		0,089		0,513	61000	23000	
NJB500	5,346		0,089		0,528	64200	24900	
NJB525	5,612	+0,07	0,102	+0,03	0,554	77300	27300	
NJB537	5,739	-0,00	0,102	-0,00	0,557	79100	28100	
NJB550	5,864		0,102		0,557	81000	28800	
NJB575	6,020		0,139		0,405	84700	43900	
NJB600	6,270		0,139		0,405	88400	45800	
NJB625	6,530	±0,08	0,174		0,420	114900	49500	
NJB650	6,790		0,174		0,435	119500	53300	
NJB662	6,925		0,174		0,450	121700	56200	
NJB675	7,055		0,174		0,456	124000	58000	
NJB700	7,315		0,174		0,471	128600	62200	
NJB725	7,575		0,209		0,486	159700	66400	
NJB750	7,840		0,209		0,510	165200	72100	
NJB775	8,100		0,209		0,525	170700	76700	
NJB800	8,360		0,209		0,540	152700	81400	
NJB825	8,620		0,209		0,555	157500	86300	
NJB850	8,880		0,209		0,570	162300	91300	
NJB875	9,145		0,209		0,591	167000	97700	
NJB900	9,405		0,209		0,606	171800	103000	
NJB925	9,668		0,209		0,627	176600	109000	
NJB950	9,930		0,209		0,645	181400	116000	
NJB975	10,190		0,209		0,660	186200	121300	
NJB1000	10,450		0,209		0,675	191000	127200	

Bowed rings for shafts

M1401/AW



d_1	Part number	s	d_3	Tolerance	a max.	b ≈	d_5 min.	h	Tolerance	Weight [kg/1000]
40	AW40	1,75	36,5	+0,39	6,0	4,4	2,5	3,5	+0,8	6,03
42	AW42	1,75	38,5	-0,90	6,5	4,5	2,5	3,5	-0,0	6,50
45	AW45	1,75	41,5		6,7	4,7	2,5	3,6		7,50
47	AW47	1,75	43,5		6,8	4,9	2,5	3,7		7,50
50	AW50	2,00	45,8		6,9	5,1	2,5	4,0	+1,0	10,20
52	AW52	2,00	47,8		7,0	5,2	2,5	4,1	-0,0	11,10
55	AW55	2,00	50,8	+0,46	7,2	5,4	2,5	4,2		11,40
57	AW57	2,00	52,8	-1,10	7,3	5,5	2,5	4,2		12,20
60	AW60	2,00	55,8		7,4	5,8	2,5	4,3		12,90
62	AW62	2,00	57,8		7,5	6,0	2,5	4,4		14,30
65	AW65	2,50	60,8		7,8	6,3	3,0	5,0	+1,3	18,20
67	AW67	2,50	62,8		7,9	6,4	3,0	5,0	-0,0	20,30
70	AW70	2,50	65,8		8,1	6,6	3,0	5,1		22,00
72	AW72	2,50	67,5		8,2	6,8	3,0	5,2		22,50
75	AW75	2,50	70,5		8,4	7,0	3,0	5,2		24,60
77	AW77	2,50	72,5		8,5	7,2	3,0	5,3		25,70
80	AW80	2,50	74,5		8,6	7,4	3,0	5,4		27,30
82	AW82	2,50	76,5		8,7	7,6	3,0	5,4	+1,5	31,20
85	AW85	3,00	79,5		8,7	7,8	3,5	6,0	-0,0	36,40
87	AW87	3,00	81,5	+0,54	8,8	7,9	3,5	6,1		39,80
90	AW90	3,00	84,5	-1,30	8,8	8,2	3,5	6,3		44,50
92	AW92	3,00	86,5		9,0	8,4	3,5	6,4		46,00
95	AW95	3,00	89,5		9,4	8,6	3,5	6,6		49,00
97	AW97	3,00	91,5		9,4	8,8	3,5	6,7		50,20
100	AW100	3,00	94,5		9,6	9,0	3,5	6,9		53,70
105	AW105	4,00	98,0		9,9	9,3	3,5	8,0	+2,0	80,00
110	AW110	4,00	103,0		10,1	9,6	3,5	8,1	-0,0	82,00
115	AW115	4,00	108,0		10,6	9,8	3,5	8,2		84,00
120	AW120	4,00	113,0		11,0	10,2	3,5	8,2		86,00
125	AW125	4,00	118,0		11,4	10,4	4,0	8,2		90,00
130	AW130	4,00	123,0	+0,63	11,6	10,7	4,0	8,3		100,00
135	AW135	4,00	128,0	-1,50	11,8	11,0	4,0	8,3		104,00
140	AW140	4,00	133,0		12,0	11,2	4,0	8,4		110,00
145	AW145	4,00	138,0		12,2	11,5	4,0	8,4		115,00
150	AW150	4,00	142,0		13,0	11,8	4,0	8,5		120,00



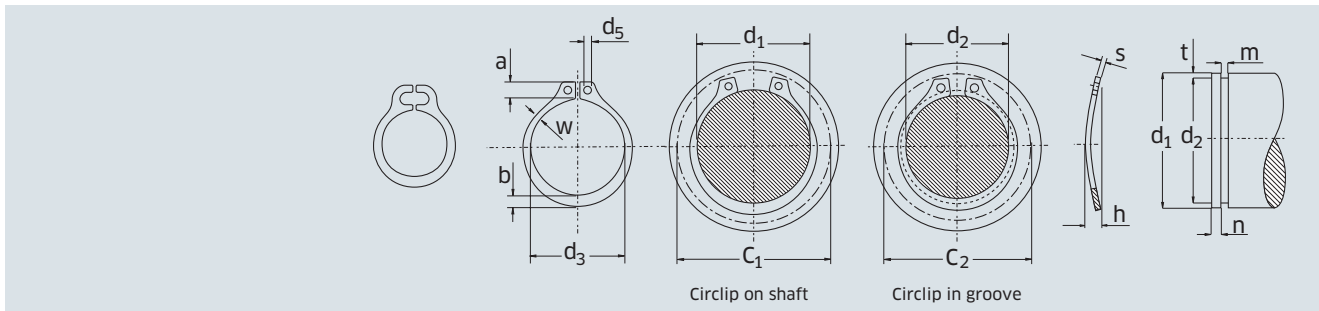
Part number	d_2	Tolerance	m min.	t	n	Article No.
AW40	37,3	+0,00	3,4	1,35	4	
AW42	39,3	-0,25	3,4	1,35	4	
AW45	42,3		3,5	1,35	4	
AW47	44,3		3,5	1,35	4	
AW50	46,7		3,9	1,65	5	
AW52	48,7		3,9	1,65	5	
AW55	51,7	+0,00	4,1	1,65	5	
AW57	53,7	-0,30	4,1	1,65	5	
AW60	56,7		4,2	1,65	5	
AW62	58,7		4,2	1,65	5	
AW65	61,7		4,8	1,65	5	
AW67	63,7		4,8	1,65	5	
AW70	66,7		4,9	1,65	5	
AW72	68,7		5,0	1,65	5	
AW75	71,7		5,0	1,65	5	
AW77	73,7		5,0	1,65	5	
AW80	76,0		5,1	2,00	6	
AW82	78,0		5,1	2,00	6	
AW85	81,0	+0,00	5,8	2,00	6	
AW87	83,0	-0,35	5,9	2,00	6	
AW90	86,0		6,0	2,00	6	
AW92	88,0		6,1	2,00	6	
AW95	91,0		6,2	2,00	6	
AW97	93,0		6,2	2,00	6	
AW100	96,0		6,3	2,00	6	
AW105	100,5	+0,00	7,6	2,25	7	
AW110	105,5	-0,54	7,7	2,25	7	
AW115	110,5		7,7	2,25	7	
AW120	115,5		7,8	2,25	7	
AW125	120,5	+0,00	7,8	2,25	7	
AW130	125,5	-0,63	7,9	2,25	7	
AW135	130,5		7,9	2,25	7	
AW140	135,5		8,0	2,25	7	
AW145	140,5		8,0	2,25	7	
AW150	144,5		8,1	2,75	8	

Bowed rings for shafts

N1401/NAW




d ₁	Part number	s	Tolerance	d ₃	Tolerance	a max.	b ≈	w ~	d ₅ min.	C ₁	C ₂	h	Tolerance	Weight [lbs/1000]
0,250	NAW25	0,025	±0,002	0,225	+0,02/-0,04	0,083	0,035	0,025	0,039	0,45	0,43	0,047	±0,06	0,21
0,276	NAW27	0,025		0,250	+0,02	0,084	0,035	0,024	0,039	0,48	0,46	0,047		0,23
0,281	NAW28	0,025		0,256	-0,05	0,083	0,038	0,0255	0,039	0,49	0,47	0,047		0,24
0,312	NAW31	0,025		0,281		0,090	0,040	0,026	0,039	0,54	0,52	0,047		0,27
0,344	NAW34	0,025		0,309		0,090	0,042	0,0265	0,039	0,57	0,55	0,047		0,31
0,354	NAW35	0,025		0,320		0,090	0,046	0,029	0,039	0,59	0,57	0,047		0,35
0,375	NAW37	0,025		0,338		0,091	0,050	0,0305	0,039	0,61	0,59	0,047		0,39
0,394	NAW39	0,025		0,354		0,090	0,052	0,031	0,039	0,62	0,60	0,047		0,42
0,406	NAW40	0,025		0,366		0,090	0,054	0,033	0,039	0,63	0,61	0,047		0,43
0,438	NAW43	0,025		0,395		0,091	0,055	0,033	0,039	0,66	0,64	0,047		0,50
0,469	NAW46	0,025		0,428		0,091	0,060	0,035	0,039	0,68	0,66	0,047		0,54
0,500	NAW50	0,035		0,461		0,111	0,065	0,040	0,045	0,77	0,74	0,063	±0,07	0,91
0,562	NAW56	0,035		0,521	+0,05	0,111	0,072	0,041	0,045	0,82	0,79	0,063		1,10
0,594	NAW59	0,035		0,550	-0,10	0,112	0,076	0,043	0,045	0,86	0,83	0,063		1,20
0,625	NAW62	0,035		0,579		0,113	0,080	0,045	0,045	0,90	0,87	0,063		1,30
0,672	NAW66	0,035		0,621		0,113	0,082	0,043	0,045	0,93	0,89	0,063		1,40
0,688	NAW68	0,042		0,635		0,140	0,084	0,048	0,050	1,01	0,97	0,073	±0,08	1,80
0,750	NAW75	0,042		0,693		0,140	0,092	0,057	0,050	1,09	1,05	0,073		2,10
0,781	NAW78	0,042		0,722		0,140	0,094	0,052	0,050	1,12	1,08	0,073		2,20
0,812	NAW81	0,042		0,751		0,140	0,096	0,054	0,050	1,15	1,10	0,073		2,50
0,875	NAW87	0,042		0,810		0,141	0,104	0,057	0,050	1,21	1,16	0,073		2,80
0,938	NAW93	0,042		0,867		0,170	0,110	0,063	0,076	1,34	1,29	0,073		3,10
0,984	NAW98	0,042		0,910		0,171	0,114	0,065	0,076	1,39	1,34	0,073		3,50
1,000	NAW100	0,042		0,925		0,171	0,116	0,065	0,076	1,41	1,35	0,073		3,60
1,023	NAW102	0,042		0,946		0,172	0,118	0,066	0,076	1,43	1,37	0,073		3,90
1,062	NAW106	0,050		0,982	+0,10	0,185	0,122	0,069	0,076	1,50	1,44	0,085	±0,12	4,80
1,125	NAW112	0,050		1,041	-0,15	0,186	0,128	0,071	0,076	1,55	1,49	0,085		5,10
1,188	NAW118	0,050		1,098		0,186	0,132	0,072	0,076	1,61	1,54	0,085		5,60
1,250	NAW125	0,050		1,156		0,187	0,140	0,076	0,076	1,69	1,62	0,085		5,90
1,312	NAW131	0,050		1,214		0,187	0,146	0,077	0,076	1,75	1,67	0,085		6,80
1,375	NAW137	0,050		1,272		0,188	0,152	0,082	0,076	1,80	1,72	0,085		7,20
1,438	NAW143	0,050		1,333		0,188	0,160	0,086	0,076	1,87	1,74	0,085		8,10
1,500	NAW150	0,050		1,387		0,218	0,168	0,091	0,188	1,99	1,90	0,085		9,00
1,625	NAW162	0,062	±0,003	1,503	+0,13	0,237	0,180	0,097	0,123	2,17	2,08	0,115	±0,15	13,20
1,750	NAW175	0,062		1,618	-0,20	0,241	0,188	0,101	0,123	2,31	2,21	0,115		15,30



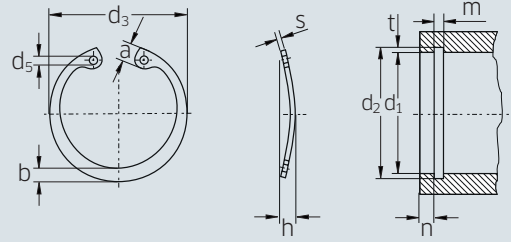
Part number	d ₂	Tolerance	m	Tolerance	n min.	Data		Article No.
						Tc	Tg	
NAW25	0,230	±,015	0,040	+ ,003	0,030	590	140	
NAW27	0,255	±,002	0,040	- ,000	0,030	650	156	
NAW28	0,290		0,040		0,030	660	160	
NAW31	0,321		0,040		0,030	740	192	
NAW34	0,321		0,040		0,030	800	212	
NAW35	0,330		0,040		0,030	820	240	
NAW37	0,352		0,040		0,030	870	260	
NAW39	0,369		0,040		0,030	940	268	
NAW40	0,382		0,040		0,030	950	280	
NAW43	0,412		0,040		0,030	1020	320	
NAW46	0,443		0,040		0,030	1100	360	
NAW50	0,468		0,055		0,042	1650	440	
NAW56	0,530		0,055		0,042	1850	520	
NAW59	0,559	±,003	0,055		0,042	1950	600	
NAW62	0,588		0,055		0,042	2060	640	
NAW66	0,631		0,055		0,042	2200	760	
NAW68	0,646		0,062		0,049	3400	800	
NAW75	0,704		0,062		0,049	3700	960	
NAW78	0,733		0,062		0,049	3900	1040	
NAW81	0,762		0,062		0,049	4000	1160	
NAW87	0,821		0,062		0,049	4300	1320	
NAW93	0,882		0,062		0,049	4650	1480	
NAW98	0,926		0,062		0,049	4850	1600	
NAW100	0,940		0,062		0,049	4950	1680	
NAW102	0,961		0,062		0,049	5050	1800	
NAW106	0,998	±,004	0,070		0,057	6200	1920	
NAW112	1,059		0,070		0,057	6600	2080	
NAW118	1,118		0,070		0,057	7000	2360	
NAW125	1,176		0,070		0,057	7350	2600	
NAW131	1,232		0,070		0,057	7750	2960	
NAW137	1,291		0,070		0,057	8100	3280	
NAW143	1,350		0,070		0,057	8500	3600	
NAW150	1,406		0,070		0,057	8800	4000	
NAW162	1,529	±,005	0,096	+ ,005	0,069	11850	4400	
NAW175	1,650		0,096	- ,000	0,069	12800	4960	

Bowed rings for bores

M1301/JW



d_1	Part number	s	Tolerance	d_3	Tolerance	a max.	b ≈	d_5 min.	h	Tolerance	Weight [kg/1000]
40	JW40	1,75	+0,00	43,5	+0,90	5,8	3,9	2,5	3,5	+0,8	4,70
42	JW42	1,75	-0,06	45,5	-0,39	5,9	4,1	2,5	3,5		5,40
45	JW45	1,75		48,5		6,2	4,3	2,5	3,6		6,00
47	JW47	1,75		50,5	+1,10	6,4	4,4	2,5	3,7		6,10
50	JW50	2,00	+0,00	54,2	-0,46	6,5	4,6	2,5	4,0	+1,0	7,30
52	JW52	2,00	-0,07	56,2		6,7	4,7	2,5	4,1		8,20
55	JW55	2,00		59,2		6,8	5,0	2,5	4,2		8,30
57	JW57	2,00		61,2		6,8	5,1	2,5	4,2		9,40
60	JW60	2,00		64,2		7,3	5,4	2,5	4,3		11,10
62	JW62	2,00		66,2		7,3	5,5	2,5	4,4		11,20
63	JW63	2,00		67,2		7,3	5,6	2,5	4,4		12,40
65	JW65	2,50		69,2		7,6	5,8	3,0	5,0	+1,3	14,30
67	JW67	2,50		71,5		7,7	6,0	3,0	5,0		15,30
70	JW70	2,50		74,5		7,8	6,2	3,0	5,1		16,50
72	JW72	2,50		76,5		7,8	6,4	3,0	5,2		18,10
75	JW75	2,50		79,5		7,8	6,6	3,0	5,2		18,80
77	JW77	2,50		81,5	+1,30	7,9	6,7	3,0	5,3		
80	JW80	2,50		85,5	-0,54	8,5	7,0	3,0	5,4		20,40
82	JW82	2,50		87,5		8,5	7,0	3,0	5,4		24,00
85	JW85	3,00	+0,00	90,5		8,6	7,2	3,5	6,0	+1,5	25,30
87	JW87	3,00	-0,08	92,5		8,6	7,3	3,5	6,1		31,00
90	JW90	3,00		95,5		8,6	7,6	3,5	6,3		33,00
92	JW92	3,00		100,5		8,7	7,8	3,5	6,4		35,00
95	JW95	3,00		100,5		8,8	8,1	3,5	6,6		37,00
100	JW100	3,00		105,5		9,2	8,4	3,5	6,9		42,00
105	JW105	4,00	+0,00	112,0		9,5	8,7	3,5	8,0	+2,0	56,00
110	JW110	4,00	-0,10	117,0		10,4	9,0	3,5	8,1		64,50
115	JW115	4,00		122,0	+1,50	10,5	9,3	3,5	8,1		74,50
120	JW120	4,00		127,0	-0,63	11,0	9,7	3,5	8,2		77,00
125	JW125	4,00		132,0		11,0	10,0	4,0	8,2		79,00
130	JW130	4,00		137,0		11,0	10,2	4,0	8,3		82,00
135	JW135	4,00		142,0		11,2	10,5	4,0	8,3		84,00
140	JW140	4,00		147,0		11,2	10,7	4,0	8,4		87,50
145	JW145	4,00		152,0		11,4	10,9	4,0	8,4		93,00
150	JW150	4,00		158,0		12,0	11,2	4,0	8,5		105,00

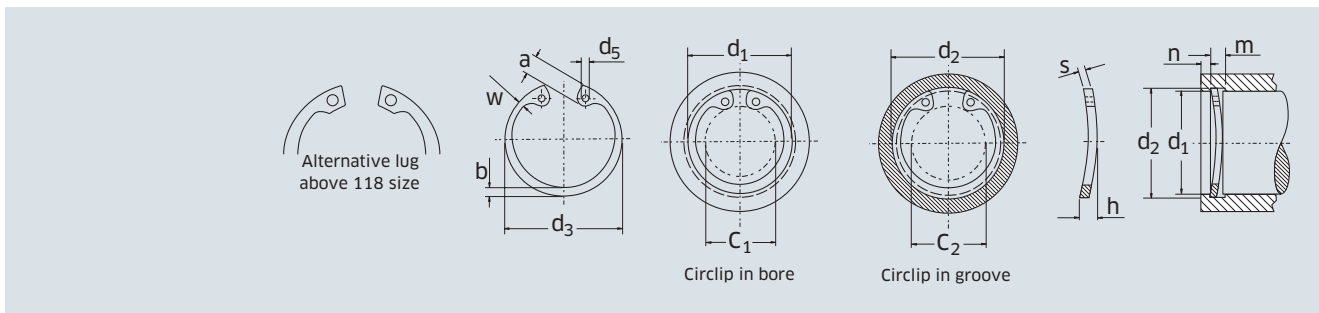


Part number	d_2	Tolerance	m min.	t	n	Article No.
JW40	42,7	+0,25	3,4	1,35	4	
JW42	44,7		3,4	1,35	4	
JW45	47,7		3,5	1,35	4	
JW47	49,7		3,5	1,35	4	
JW50	53,3	+0,30	3,9	1,65	5	
JW52	55,3		3,9	1,65	5	
JW55	58,3		4,1	1,65	5	
JW57	60,3		4,1	1,65	5	
JW60	63,3		4,2	1,65	5	
JW62	65,3		4,2	1,65	5	
JW63	66,3		4,2	1,65	5	
JW65	70,3		4,8	2,65	5	
JW67	73,3		4,8	3,15	5	
JW70	73,3		4,9	1,65	5	
JW72	75,3		5,0	1,65	5	
JW75	78,3		5,0	1,65	5	
JW77	80,3	+0,35	5,0	1,65	5	
JW80	84,0		5,1	2,00	6	
JW82	86,0		5,1	2,00	6	
JW85	89,0		5,8	2,00	6	
JW87	91,0		5,9	2,00	6	
JW90	94,0		6,0	2,00	6	
JW92	96,0		6,1	0,50	6	
JW95	96,0		6,2	0,50	6	
JW100	104,0	+0,54	6,3	2,00	6	
JW105	109,5		7,6	2,25	7	
JW110	114,5		7,7	2,25	7	
JW115	119,5		7,7	2,25	7	
JW120	124,5	+0,63	7,8	2,25	7	
JW125	129,5		7,8	2,25	7	
JW130	134,5		7,9	2,25	7	
JW135	139,5		7,9	2,25	7	
JW140	144,5		8,0	2,25	7	
JW145	149,5		8,0	2,25	7	
JW150	155,5		8,1	2,75	8	

Bowed rings for bores

N1301/NJW

d ₁	Part number	s	Tolerance	d ₃	Tolerance	a max.	b ≈	w ~	d ₅ min.	C ₁	C ₂	h	Tolerance	Weight [lbs/1000]
0,250	NJW25	0,015	±0,002	0,280	±0,010	0,068	0,025	0,015	0,029	0,115	0,133	0,036	±0,006	0,08
0,312	NJW31	0,015		0,346		0,069	0,033	0,018	0,029	0,173	0,191	0,036		0,11
0,375	NJW37	0,025		0,415		0,085	0,040	0,028	0,039	0,204	0,226	0,047	±0,006	0,25
0,438	NJW43	0,025		0,482		0,101	0,049	0,029	0,039	0,230	0,254	0,047		0,37
0,453	NJW45	0,025		0,498		0,101	0,050	0,030	0,045	0,250	0,274	0,047		0,43
0,500	NJW50	0,035		0,548		0,117	0,053	0,035	0,045	0,260	0,290	0,063	±0,007	0,70
0,562	NJW56	0,035		0,620		0,137	0,053	0,035	0,045	0,275	0,305	0,063		0,86
0,625	NJW62	0,035		0,694		0,137	0,060	0,035	0,060	0,340	0,380	0,063		1,00
0,658	NJW68	0,035		0,763		0,137	0,063	0,036	0,060	0,400	0,440	0,063		1,20
0,750	NJW75	0,035		0,831		0,147	0,070	0,040	0,060	0,450	0,490	0,063		1,30
0,812	NJW81	0,042		0,901	±0,015	0,160	0,077	0,044	0,060	0,490	0,540	0,073	±0,008	1,90
0,875	NJW87	0,042		0,971		0,160	0,084	0,045	0,060	0,545	0,600	0,073		2,10
0,938	NJW93	0,042		1,041		0,160	0,091	0,050	0,060	0,610	0,670	0,073		2,40
1,000	NJW100	0,042		1,111		0,160	0,104	0,052	0,060	0,665	0,730	0,073		2,70
1,023	NJW102	0,042		1,136	±0,025	0,160	0,106	0,054	0,060	0,690	0,755	0,073		2,80
1,062	NJW106	0,050		1,180		0,185	0,110	0,055	0,076	0,685	0,750	0,085	±0,012	3,70
1,125	NJW112	0,050		1,249		0,185	0,116	0,057	0,076	0,745	0,815	0,085		4,00
1,188	NJW118	0,050		1,319		0,185	0,120	0,058	0,076	0,800	0,870	0,085		4,30
1,250	NJW125	0,050		1,388		0,185	0,124	0,062	0,076	0,875	0,955	0,085		4,80
1,312	NJW131	0,050		1,456		0,185	0,130	0,062	0,076	0,930	1,010	0,085		5,00
1,375	NJW137	0,050		1,526		0,185	0,130	0,063	0,076	0,990	1,070	0,085		5,10
1,438	NJW143	0,050		1,596		0,185	0,133	0,065	0,076	1,060	1,150	0,085		5,80
1,500	NJW150	0,050		1,660		0,185	0,133	0,066	0,076	1,120	1,210	0,085		6,10
1,562	NJW156	0,062	±0,003	1,734	±0,035	0,205	0,160	0,079	0,076	1,140	1,230	0,115	±0,015	9,10
1,625	NJW162	0,062		1,804	-0,025	0,205	0,160	0,080	0,076	1,150	1,250	0,115		10,10
1,688	NJW168	0,062		1,874		0,205	0,170	0,085	0,076	1,270	1,380	0,115		10,80
1,750	NJW175	0,062		1,942		0,205	0,175	0,082	0,076	1,260	1,360	0,115		11,50



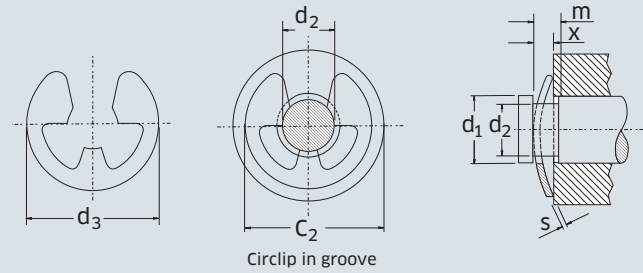
Part number	d ₂	Tolerance	m	Tolerance	n min.	Data		
						Tc	Tg	Article No.
NJW25	0,268	±,001	0,018	+,002	0,027	530	130	
NJW31	0,330	,0015	0,018	-,000	0,027	660	160	
NJW37	0,397	±,002	0,029	+,003	0,033	1320	235	
NJW43	0,461	,002	0,029	-,000	0,036	1550	285	
NJW45	0,477		0,029		0,036	1600	310	
NJW50	0,530	±,002	0,039		0,045	2470	425	
NJW56	0,596	,004	0,039		0,051	2780	540	
NJW62	0,665		0,039		0,060	3090	705	
NJW68	0,732		0,039		0,066	3400	855	
NJW75	0,796		0,039		0,069	3710	975	
NJW81	0,862	±,003	0,046		0,075	4820	1150	
NJW87	0,931	,004	0,046		0,084	5190	1390	
NJW93	1,000		0,046		0,093	5570	1640	
NJW100	1,066		0,046		0,099	5940	1870	
NJW102	1,091		0,046		0,102	6070	1970	
NJW106	1,130	±,004	0,056		0,102	7500	2040	
NJW112	1,197	,005	0,056		0,108	7950	2290	
NJW118	1,262		0,056		0,111	8400	2490	
NJW125	1,330		0,056		0,120	8850	2830	
NJW131	1,396		0,056		0,126	9300	3120	
NJW137	1,461		0,056		0,129	9700	3340	
NJW143	1,528		0,056		0,135	10200	3660	
NJW150	1,594		0,056		0,141	10600	3990	
NJW156	1,658	±,005	0,068	+,005	0,144	11400	4240	
NJW162	1,725	,005	0,068	-,000	0,155	11800	4590	
NJW168	1,792		0,068		0,156	12300	4960	
NJW175	1,858		0,068		0,162	12800	5340	

E-Clips curved

N1501/NRJ/NRX



d_1	Part number	s	Tolerance	d_3	C_2	X min.	X max.	Weight [kg/1000]
0,094	NRX009	0,020	±0,002	0,187	0,200	0,025	0,035	0,10
0,110	NRJ011	0,015		0,375	0,390	0,020	0,033	0,20
0,125	NRX012	0,010	±0,0015	0,230	0,240	0,014	0,021	0,06
0,140	NRJ014	0,010		0,203	0,215	0,014	0,018	0,06
0,140	NRX014	0,015	±0,002	0,270	0,285	0,020	0,023	0,10
0,156	NRX015	0,015		0,282	0,295	0,020	0,025	0,13
0,172	NRJ017	0,015		0,312	0,325	0,020	0,027	0,16
0,188	NRJ018	0,015		0,375	0,390	0,020	0,033	0,27
0,188	NRX018	0,015		0,335	0,350	0,020	0,028	0,17
0,219	NRJ021	0,015		0,437	0,450	0,020	0,038	0,28
0,250	NRX025	0,025		0,527	0,540	0,032	0,047	0,76
0,311	NRJ031	0,025		0,500	0,520	0,032	0,045	0,57
0,374	NRX037	0,035		0,660	0,680	0,042	0,053	1,50
0,437	NRX043	0,035		0,687	0,710	0,042	0,058	1,50
0,437	NRJ043	0,035		0,600	0,620	0,042	0,055	1,00
0,500	NRX050	0,042		0,800	0,820	0,049	0,071	2,50
0,625	NRX062	0,042		0,940	0,960	0,049	0,075	3,20
0,744	NRJ074	0,050		1,000	1,020	0,057	0,083	4,30
0,748	NRX075	0,050		1,120	1,140	0,057	0,083	5,80
0,874	NRX087	0,050		1,300	1,320	0,057	0,083	7,60
0,984	NRJ098	0,050		1,500	1,530	0,057	0,083	9,20
1,188	NRJ188	0,062	±,003	1,626	1,670	0,070	0,104	11,30
1,375	NRJ137	0,062		1,875	1,920	0,070	0,104	15,40



Data

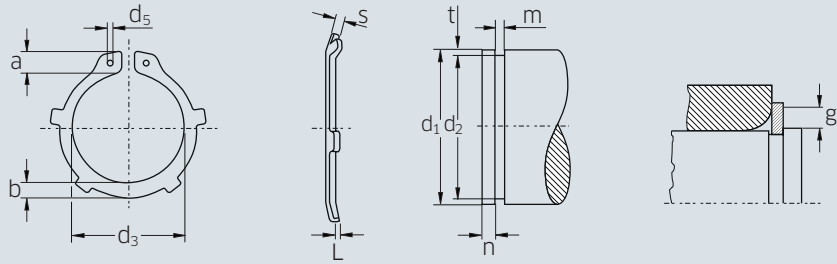
Part number	d_2	Tolerance	m	Tolerance	Tc	Tg	Applicators	Article No.
NRX009	0,074	+0,002	0,045	+0,003	108	17	AM5W	
NRJ011	0,079	-0,000	0,035	-0,000	95	32	AM6W	
NRX012	0,095		0,022		72	35	AM7	
NRJ014	0,102		0,019		81	50	AM8	
NRX014	0,105		0,025		121	46	AM9W	
NRX015	0,116		0,027		135	53	AM11	
NRJ017	0,127		0,029		149	72	AM12	
NRJ018	0,125		0,035		163	110	AM13W	
NRX018	0,147		0,030		163	72	AM14	
NRJ021	0,188		0,040		190	63	AM14W	
NRX025	0,210	+0,003	0,049		361	93	9C	
NRJ031	0,250	-0,000	0,047		449	177	9C	
NRX037	0,303		0,060		755	248	AM18W	
NRX043	0,343		0,060		883	383	AM19W	
NRJ043	0,380		0,057		883	232	AM20W	
NRX050	0,396		0,073		1210	485	AM21W	
NRX062	0,485		0,077		1510	816	AM22W	
NRJ074	0,625		0,085		2150	826	AM23W	
NRX075	0,530		0,085		2160	1170	AM24W	
NRX087	0,675		0,085		2520	1620	AM25W	
NRJ098	0,835		0,085		2840	1370	AM26W	
NRJ188	1,079	+0,005	0,107	+0,004	4250	1210	-	
NRJ137	1,230	-0,000	0,107	-0,000	4920	1860	-	

L-rings for shafts

983L/AL



d_1	Part number	s	Tolerance	d_3	Tolerance	a max.	b =	d_5 min.	Weight [kg/1000]
16	AL16	0,60	+0,00	14,7	+0,10	3,5	2,3	1,7	0,82
17	AL17	0,60	- 0,05	15,7	-0,36	3,6	2,4	1,7	0,93
18	AL18	0,80		16,5		3,7	2,5	1,7	1,24
19	AL19	0,80		17,5		3,7	2,6	2,0	1,35
20	AL20	1,20	+0,00	18,5	+0,13	3,8	2,6	2,0	1,45
22	AL22	1,20	-0,06	20,5	-0,42	4,0	2,8	2,0	1,77
23	AL23	1,20		21,5		4,1	2,9	2,0	1,84
24	AL24	1,20		22,2	+0,21	4,2	3,0	2,0	1,98
25	AL25	1,20		23,2	-0,42	4,3	3,0	2,0	2,12
26	AL26	1,20		24,2		4,4	3,1	2,0	2,18
28	AL28	1,50		25,9		4,5	3,3	2,0	3,15
29	AL29	1,50		26,9		4,7	3,4	2,0	3,35
30	AL30	1,50		27,9		4,7	3,4	2,0	3,65
32	AL32	1,50		29,6		5,0	3,6	2,5	4,00
34	AL34	1,50		31,5		5,1	3,8	2,5	4,15
35	AL35	1,50		32,2	+0,25	5,2	3,8	2,5	4,38
37	AL37	1,50		34,2	-0,50	5,4	4,0	2,5	6,30
38	AL38	1,75		35,2		5,5	4,1	2,5	6,50
40	AL40	1,75		36,5	+0,39	7,2	4,2	2,5	7,00
42	AL42	1,75		38,5	-0,90	7,2	4,5	2,5	7,50
45	AL45	1,75		41,5		7,2	4,6	2,5	8,50
47	AL47	1,75		43,5		7,2	4,8	2,5	8,70
48	AL48	1,75		44,5		7,2	4,9	2,5	8,90
50	AL50	2,00	+0,00	45,8		8,2	5,0	2,5	11,50
55	AL55	2,00	- 0,07	50,8	+0,46	8,2	5,4	2,5	12,99
58	AL58	2,00		53,8	-1,10	8,2	5,7	2,5	14,30
60	AL60	2,00		55,8		8,2	5,8	2,5	14,80
62	AL62	2,00		57,8		8,2	5,9	2,5	15,90
65	AL65	2,50		60,8		10,2	6,2	3,0	21,70
70	AL70	2,50		65,5		10,2	6,6	3,0	25,10
75	AL75	2,50		70,5		10,2	7,0	3,0	28,20
80	AL80	2,50		74,5		10,2	7,4	3,0	30,75
85	AL85	3,00	+0,00	79,5		10,2	7,8	3,5	39,50
90	AL90	3,00	- 0,08	84,5	+0,54	10,2	8,2	3,5	47,70
95	AL95	3,00		89,5	-1,30	10,2	8,6	3,5	53,00

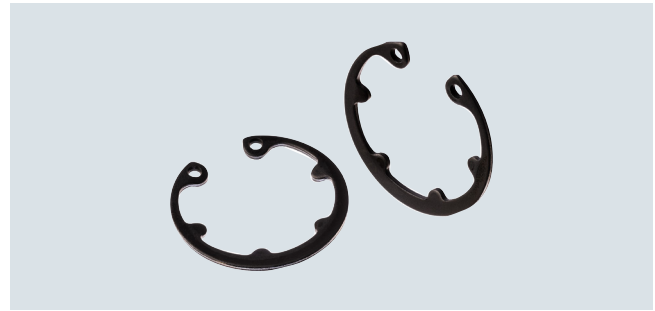


Data

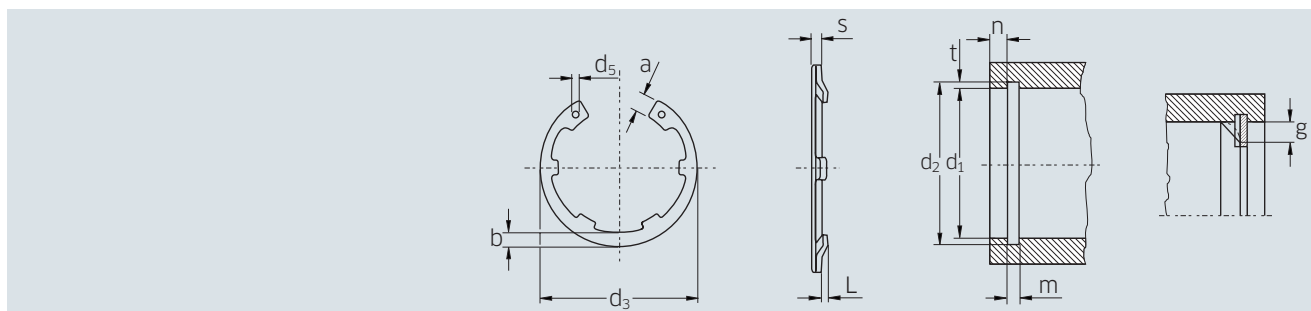
Part number	d_2	Tolerance	m min.	t	n	FN [kN]	FR [kN]	g	FRg [kN]	L min.	C [kN/mm]	Article No.
AL16	15,2	-0,11	0,70	0,40	1,2	3,26	2,20	1,0	0,70	0,35	0,43	
AL17	16,2		0,70	0,40	1,2	3,46	2,10	1,0	0,65	0,35	0,38	
AL18	17,0		0,90	0,50	1,5	4,58	5,04	1,5	1,12	0,35	0,82	
AL19	18,0		0,90	0,50	1,5	4,85	5,04	1,5	1,13	0,35	0,81	
AL20	19,0	-0,15	1,30	0,50	1,5	5,06	17,10	1,5	3,85	0,35	2,58	
AL22	21,0		1,30	0,50	1,5	5,65	16,90	1,5	3,80	0,35	2,27	
AL23	22,0		1,30	0,50	1,5	5,90	16,60	1,5	3,80	0,35	2,17	
AL24	22,9	-0,21	1,30	0,55	1,6	6,75	16,10	1,5	3,65	0,40	1,99	
AL25	23,9		1,30	0,55	1,6	7,05	16,20	1,5	3,70	0,40	1,89	
AL26	24,9		1,30	0,55	1,6	7,34	16,10	1,5	3,70	0,40	1,78	
AL28	26,6		1,60	0,70	2,1	10,00	32,10	1,5	7,50	0,40	3,28	
AL29	27,6		1,60	0,70	2,1	10,37	31,80	1,5	7,45	0,40	3,03	
AL30	28,6		1,60	0,70	2,1	10,70	32,10	1,5	7,65	0,40	2,97	
AL32	30,3	-0,25	1,60	0,85	2,5	13,85	31,20	2,0	5,55	0,45	2,57	
AL34	32,3		1,60	0,85	2,5	14,72	31,30	2,0	5,60	0,45	2,45	
AL35	33,0		1,60	1,00	3,0	17,80	30,80	2,0	5,50	0,50	2,32	
AL37	35,0		1,60	1,00	3,0	18,80	30,00	2,0	5,40	0,50	2,08	
AL38	36,0		1,85	1,00	3,0	19,30	49,50	2,0	9,10	0,50	3,26	
AL40	37,5		1,85	1,25	3,8	25,30	51,00	2,0	9,50	0,60	1,98	
AL42	39,5		1,85	1,25	3,8	26,70	50,00	2,0	9,45	0,60	1,91	
AL45	42,5		1,85	1,25	3,8	28,60	49,00	2,0	9,35	0,60	1,86	
AL47	44,5		1,85	1,25	3,8	30,00	49,50	2,0	9,50	0,60	1,85	
AL48	45,5		1,85	1,25	3,8	30,70	49,40	2,0	9,50	0,60	1,84	
AL50	47,0		2,15	1,50	4,5	38,00	73,30	2,0	14,40	0,80	2,05	
AL55	52,0	-0,30	2,15	1,50	4,5	42,00	71,40	2,5	11,40	0,80	2,04	
AL58	55,0		2,15	1,50	4,5	44,30	71,10	2,5	11,50	0,80	2,02	
AL60	57,0		2,15	1,50	4,5	46,00	69,30	2,5	11,30	0,80	1,97	
AL62	59,0		2,15	1,50	4,5	47,50	69,30	2,5	11,40	0,80	1,97	
AL65	62,0		2,65	1,50	4,5	49,90	135,60	2,5	22,70	1,00	2,45	
AL70	67,0		2,65	1,50	4,5	53,80	134,20	2,5	23,00	1,00	2,41	
AL75	72,0		2,65	1,50	4,5	57,60	130,00	2,5	22,80	1,00	2,34	
AL80	76,5		2,65	1,75	5,3	71,60	128,40	3,0	19,50	1,00	2,36	
AL85	81,5	-0,54	3,15	1,75	5,3	76,20	215,40	3,0	33,40	1,00	4,05	
AL90	86,5		3,15	1,75	5,3	80,80	217,20	3,0	34,40	1,00	4,01	
AL95	91,5		3,15	1,75	5,3	85,50	212,20	3,5	29,30	1,00	4,00	

L-rings for bores

984L/JL



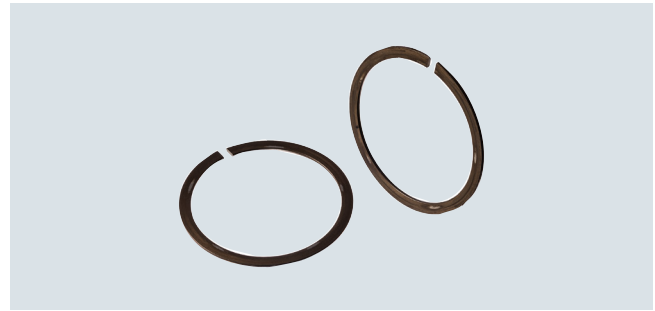
d_1	Part number	s	Tolerance	d_3	Tolerance	a max.	b =	d_5 min.	Weight [kg/1000]
16	JL16	0,60	+0,00	17,3	+0,42	3,4	2,1	1,7	0,72
17	JL17	0,60	- 0,05	18,3	-0,13	3,7	2,2	1,7	0,80
18	JL18	0,80		19,5		4,1	2,3	1,7	0,90
19	JL19	0,80		20,5		3,8	2,3	2,0	0,99
20	JL20	1,00	+0,00	21,5		3,9	2,4	2,0	1,06
21	JL21	1,00	-0,06	22,5		4,0	2,4	2,0	1,17
22	JL22	1,00		23,5		4,0	2,6	2,0	1,28
23	JL23	1,20		24,6		4,1	2,6	2,0	1,48
24	JL24	1,20		25,9	+0,42	4,2	2,6	2,0	1,60
25	JL25	1,20		26,9	-0,21	4,4	2,8	2,0	1,72
26	JL26	1,20		28,5		4,4	2,8	2,0	2,00
27	JL27	1,20		29,1		4,5	2,9	2,0	2,00
28	JL28	1,20		30,1	+0,50	4,9	3,0	2,0	2,10
30	JL30	1,20		32,1	-0,25	4,9	3,2	2,0	2,35
32	JL32	1,20		34,4		5,1	3,3	2,5	2,50
34	JL34	1,50		36,5		5,3	3,4	2,5	3,80
35	JL35	1,50		37,8		5,5	3,6	2,5	4,00
36	JL36	1,50		38,8		5,6	3,6	2,5	4,15
38	JL38	1,50		40,8		6,1	3,8	2,5	4,40
40	JL40	1,75		43,5	+0,90	7,2	4,0	2,5	5,30
42	JL42	1,75		45,5	-0,39	7,2	4,1	2,5	6,00
45	JL45	1,75		48,5		7,2	4,3	2,5	6,60
47	JL47	1,75		50,5	+1,10	7,2	4,5	2,5	6,90
50	JL50	2,00	+0,00	54,2	-0,46	8,2	4,7	2,5	8,50
52	JL52	2,00	- 0,07	56,2		8,2	4,7	2,5	9,40
55	JL55	2,00		59,2		8,2	5,1	2,5	9,75
57	JL57	2,00		61,2		8,2	5,2	2,5	11,65
60	JL60	2,00		64,2		8,2	5,5	2,5	12,70
62	JL62	2,00		66,2		8,2	5,6	2,5	12,75
65	JL65	2,50		69,2		10,2	5,8	3,0	16,70
70	JL70	2,50		74,5		10,2	6,2	3,0	20,20
72	JL72	2,50		76,5		10,2	6,4	3,0	21,20
75	JL75	2,50		79,5		10,2	6,6	3,0	22,60
80	JL80	2,50		85,5	+1,30	10,2	7,0	3,0	25,00
90	JL90	3,00	+0,00	95,5	-0,54	12,2	7,7	3,5	35,50
100	JL100	3,00	- 0,08	105,5		12,2	8,5	3,5	43,50



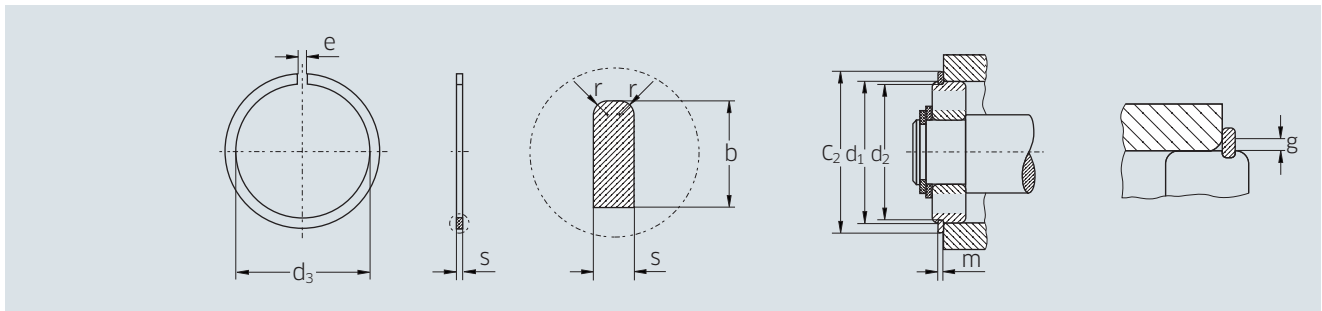
Part number	d_2	Tolerance	Data			FN [kN]	FR [kN]	g	FRg [kN]	L min.	C [kN/mm]	Article No.
			m min.	t	n							
JL16	16,8	+0,11/-0,00	0,70	0,40	1,2	3,40	1,75	1,0	0,56	0,25	0,47	
JL17	17,8	+0,15	0,70	0,40	1,2	3,60	1,71	1,0	0,54	0,25	0,38	
JL18	19,0	-0,00	0,90	0,50	1,5	4,80	4,20	1,0	1,33	0,25	0,72	
JL19	20,0		0,90	0,50	1,5	5,10	4,06	1,0	1,29	0,25	0,86	
JL20	21,0		1,10	0,50	1,5	5,40	7,80	1,0	2,50	0,25	1,55	
JL21	22,0		1,10	0,50	1,5	5,70	8,10	1,0	2,60	0,25	1,50	
JL22	23,0		1,10	0,50	1,5	5,90	8,35	1,0	2,70	0,35	1,52	
JL23	24,1		1,30	0,55	1,6	6,80	13,80	1,0	4,50	0,35	2,42	
JL24	25,2	+0,21	1,30	0,60	1,8	7,70	13,90	1,0	4,60	0,35	2,26	
JL25	26,2	-0,00	1,30	0,60	1,8	8,00	14,60	1,0	4,70	0,35	2,12	
JL26	27,2		1,30	0,60	1,8	8,40	13,80	1,0	4,60	0,35	2,04	
JL27	28,4		1,30	0,70	2,1	10,10	13,30	1,0	4,50	0,35	1,94	
JL28	29,4		1,30	0,70	2,1	10,50	13,30	1,0	4,50	0,35	1,57	
JL30	31,4	+0,25	1,30	0,70	2,1	11,30	13,70	1,0	4,60	0,35	1,58	
JL32	33,7	-0,00	1,30	0,85	2,5	14,60	13,80	1,0	4,60	0,35	1,55	
JL34	35,7		1,60	0,85	2,5	15,40	26,20	1,5	6,30	0,45	2,65	
JL35	37,0		1,60	1,00	3,0	18,80	26,90	1,5	6,40	0,45	2,61	
JL36	38,0		1,60	1,00	3,0	19,40	26,40	1,5	6,40	0,45	2,48	
JL38	40,0		1,60	1,00	3,0	22,50	28,20	1,5	6,70	0,45	2,07	
JL40	42,5		1,85	1,25	3,8	27,00	44,60	2,0	8,30	0,55	2,42	
JL42	44,5		1,85	1,25	3,8	28,40	44,70	2,0	8,40	0,55	2,44	
JL45	47,5		1,85	1,25	3,8	30,20	43,10	2,0	8,20	0,55	2,36	
JL47	49,5		1,85	1,25	3,8	31,40	43,50	2,0	8,30	0,55	2,39	
JL50	53,0	+0,30	2,15	1,50	4,5	40,40	60,80	2,0	12,10	0,65	2,64	
JL52	55,0	-0,00	2,15	1,50	4,5	42,00	60,20	2,0	12,00	0,65	2,57	
JL55	58,0		2,15	1,50	4,5	44,40	60,30	2,0	12,50	0,65	2,64	
JL57	60,0		2,15	1,50	4,5	46,00	60,80	2,0	12,70	0,65	2,67	
JL60	63,0		2,15	1,50	4,5	48,30	61,00	2,0	13,00	0,65	2,68	
JL62	65,0		2,15	1,50	4,5	49,80	60,90	2,0	13,00	0,65	2,67	
JL65	68,0		2,65	1,50	4,5	51,80	121,00	2,5	20,80	0,90	3,62	
JL70	73,0		2,65	1,50	4,5	56,20	119,00	2,5	21,00	0,90	3,02	
JL72	75,0		2,65	1,50	4,5	58,00	119,20	2,5	21,00	0,90	3,01	
JL75	78,0		2,65	1,50	4,5	60,00	118,00	2,5	21,00	0,90	2,99	
JL80	83,5	+0,35	2,65	1,75	5,3	74,60	120,90	2,5	21,80	0,90	3,24	
JL90	93,5	-0,00	3,15	1,75	5,3	84,00	199,00	3,0	31,40	0,90	3,47	
JL100	103,5		3,15	1,75	5,3	93,10	188,00	3,0	30,80	0,90	3,42	

Snap rings for roller bearings

DIN 5417/M3200/SP



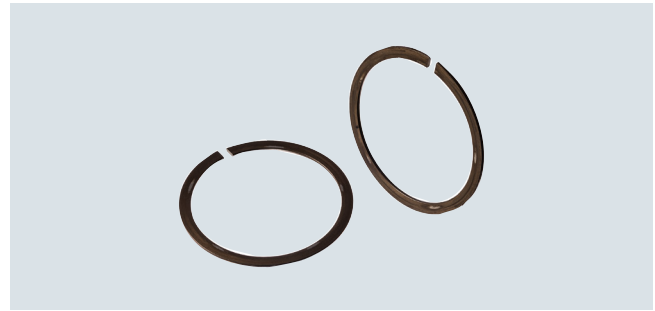
d_1	Part number	s	Tolerance	b	Tolerance	d_3	Tolerance	e	r min.	Weight
										[kg/1000]
30	SP30	1,12	-0,1	3,25	-0,15	27,4	+0,4	3	0,4	2,8
32	SP32	1,12		3,25		29,4		3	0,4	3,0
35	SP35	1,12		3,25		32,4		3	0,4	3,2
37	SP37	1,12		3,25		34,0		3	0,4	3,4
40	SP40	1,12		3,25		37,3		3	0,4	3,6
42	SP42	1,12		3,25		38,9	+0,5	3	0,4	3,8
44	SP44	1,12		3,25		40,9		3	0,4	4,0
47	SP47	1,12		4,04		43,7		4	0,4	5,3
50	SP50	1,12		4,04		46,6		4	0,4	5,8
52	SP52	1,12		4,04		48,8		4	0,4	5,9
55	SP55	1,12		4,04		51,7		4	0,4	6,2
56	SP56	1,12		4,04		52,4	+0,8	4	0,4	6,5
58	SP58	1,12		4,04		54,4		4	0,4	6,7
62	SP62	1,70		4,04		58,2		4	0,6	10,5
65	SP65	1,70		4,04		61,2		4	0,6	11,0
68	SP68	1,70		4,85		63,4		5	0,6	12,6
72	SP72	1,70		4,85		67,4		5	0,6	14,7
75	SP75	1,70		4,85		70,4		5	0,6	15,3
80	SP80	1,70		4,85		75,4		5	0,6	16,3
85	SP85	1,70		4,85		80,4		5	0,6	17,5
90	SP90	2,46		4,85		85,4		5	0,7	26,6
95	SP95	2,46		4,85		90,4		5	0,7	28,2
100	SP100	2,46		4,85		95,2	+1,0	5	0,7	29,2
110	SP110	2,46		4,85		105,2		5	0,7	32,8
115	SP115	2,46		4,85		110,2		5	0,7	34,4
120	SP120	2,82		7,21		113,6		7	0,7	60,6
125	SP125	2,82		7,21		118,6		7	0,7	63,0
130	SP130	2,82		7,21		123,6		7	0,7	65,6
140	SP140	2,82		7,21		133,0	+1,6	7	0,7	70,6
145	SP145	2,82		7,21		138,0		7	0,7	73,0
150	SP150	2,82		7,21		142,9		7	0,7	77,2
160	SP160	2,82		7,21		152,9		7	0,7	81,0
170	SP170	3,10		9,60		161,3		10	0,7	122,0
180	SP180	3,10		9,60		171,2		10	0,7	128,0
190	SP190	3,10		9,60		181,0	+1,8	10	0,7	139,0



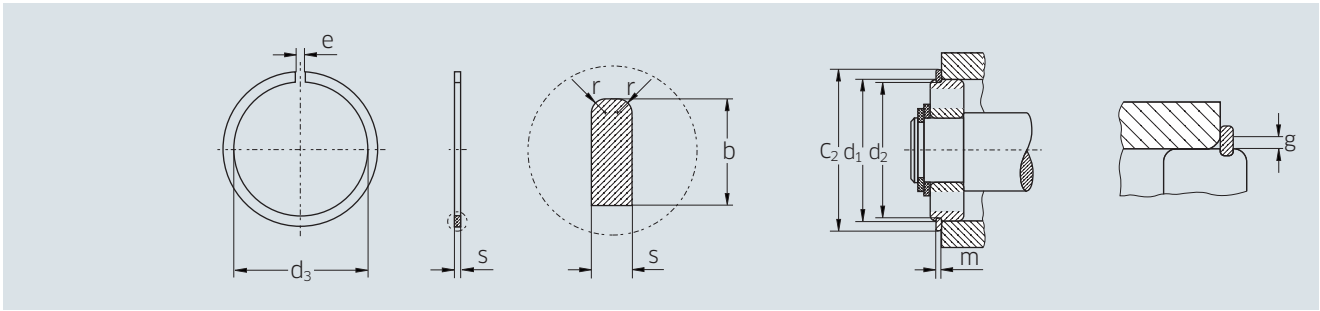
Part number	d_2	Tolerance	m	Tolerance	C_2	Data						Article No.
						FN [kN]	FR [kN]	g	FRg [kN]	K [kN/mm]	n_{abl} x1000 [rpm]	
SP30	28,17	-0,25	1,35	+0,3	34,7	13,7	16,6	2,0	2,91	35,1	16	
SP32	30,15		1,35		36,7	14,6	14,6	2,0	2,57	30,0	13	
SP35	33,17		1,35		39,7	16,0	13,4	2,0	2,42	28,0	11	
SP37	34,77		1,35		41,3	20,7	13,6	2,0	2,45	26,6	10	
SP40	38,10		1,35		44,6	19,3	13,5	2,0	2,50	24,2	8	
SP42	39,75		1,35		46,3	23,5	12,9	2,0	2,39	23,4	7	
SP44	41,75		1,35		48,3	24,6	12,4	2,0	2,29	22,6	7	
SP47	44,60		1,35		52,7	28,8	12,1	2,0	2,29	22,4	7	
SP50	47,60		1,35		55,7	30,6	13,3	2,0	2,60	24,3	6	
SP52	49,73		1,35		57,9	31,6	12,8	2,5	2,01	23,4	6	
SP55	52,60		1,35		60,7	33,8	11,8	2,5	1,90	22,0	5	
SP56	53,60		1,35		61,7	34,5	12,1	2,5	1,95	21,6	5	
SP58	55,60		1,35		63,7	35,6	11,5	2,5	1,89	21,0	5	
SP62	59,61	-0,50	1,90		67,7	38,1	37,6	2,5	6,18	68,6	5	
SP65	62,60		1,90		70,7	40,0	34,9	2,5	5,89	65,3	4	
SP68	64,82		1,90		74,6	55,5	40,9	2,5	7,06	75,0	4	
SP72	68,81		1,90		78,6	59,0	38,9	2,5	6,17	71,3	4	
SP75	71,83		1,90		81,6	61,5	36,6	2,5	6,46	68,6	3	
SP80	76,81		1,90		86,6	65,7	34,8	3,0	5,25	64,0	3	
SP85	81,81		1,90		91,6	70,0	33,5	3,0	5,16	60,5	3	
SP90	86,79		2,70		96,5	74,0	93,9	3,0	14,80	174,0	2	
SP95	91,82		2,70		101,6	76,3	86,8	3,5	12,00	164,0	2	
SP100	96,80		2,70		106,5	82,5	80,8	3,5	11,40	155,0	2	
SP110	106,81		2,70		116,6	90,7	71,2	3,5	10,40	142,0	1	
SP115	111,81		2,70		121,6	97,7	66,6	3,5	10,00	136,0	1	
SP120	115,21		3,10		129,7	143,0	140,0	3,5	21,30	291,0	2	
SP125	120,22		3,10		134,7	155,0	132,0	4,0	17,90	279,0	2	
SP130	125,22		3,10		139,7	166,0	124,7	4,0	17,30	269,0	1	
SP140	135,23		3,10		149,7	180,0	111,6	4,0	16,00	249,0	1	
SP145	140,23		3,10		154,7	186,0	106,4	4,0	15,50	242,0	1	
SP150	145,24		3,10		159,7	193,0	101,5	4,0	15,00	234,0	1	
SP160	155,22		3,10		169,7	206,0	92,0	4,0	14,10	220,0	1	
SP170	163,65		3,50		182,9	283,0	148,0	5,0	18,70	363,0	1	
SP180	173,66		3,50		192,9	292,0	135,0	5,0	17,70	344,0	1	
SP190	183,64		3,50		202,9	311,0	124,0	5,0	16,70	324,0	1	

Snap rings for roller bearings

DIN 5417/M3200/SP



d_1	Part number	s	Tolerance	b	Tolerance	d_3	Tolerance	e	r min.	Weight
										[kg/1000]
200	SP200	3,10	- 0,1	9,60	- 0,15	191,0	+1,8	10	0,7	148,0
210	SP210	3,10		9,60		200,9		10	1,2	156,0
215	SP215	3,10		9,60		205,9		10	1,2	160,0
225	SP225	3,50		10,00		214,3		10	1,2	196,0
230	SP230	3,50		10,00		219,2		10	1,2	200,0
240	SP240	3,50		10,00		229,2		10	1,2	209,0
250	SP250	3,50		10,00		239,2		10	1,2	220,0
260	SP260	3,50		10,00	- 0,30	247,5	+2,5	10	1,2	230,0
270	SP270	3,50		10,00		257,5		10	1,2	240,0
280	SP280	3,50		10,00		267,5		10	1,2	250,0
290	SP290	3,50		10,00		277,5		10	1,2	260,0
300	SP300	4,50	- 0,2	12,00		284,5		10	1,5	400,0
310	SP310	4,50		12,00		294,0	+3,0	10	1,5	412,0
320	SP320	4,50		12,00		304,0		10	1,5	420,0
340	SP340	4,50		12,00		324,0		10	1,5	446,0
360	SP360	4,50		12,00		343,0		10	1,5	475,0
370	SP370	4,50		12,00		353,0		10	1,5	485,0
380	SP380	4,50		12,00		363,0		10	1,5	500,0
400	SP400	4,50		12,00		383,0		10	1,5	525,0



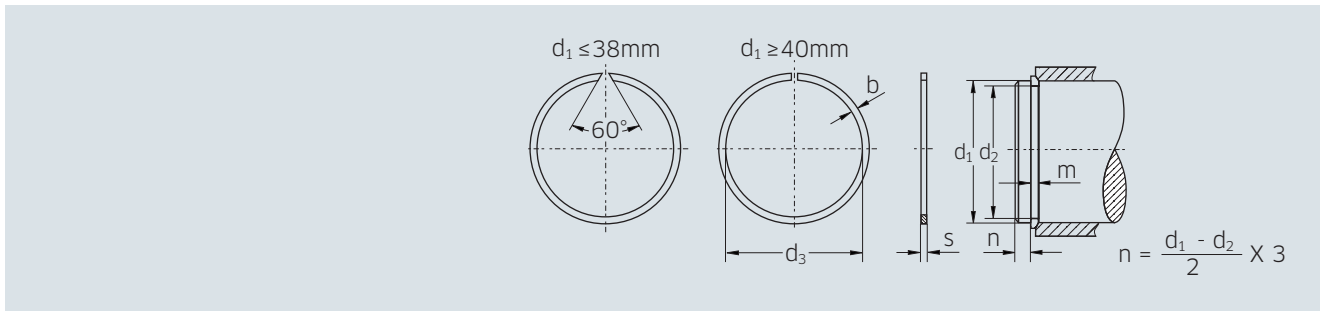
Part number	d_2	Tolerance	m	Tolerance	C_2	Data						Article No.
						FN [kN]	FR [kN]	g	FRg [kN]	K [kN/mm]	$n_{abl.}$ x1000 [rpm]	
SP200	193,65	-0,50	3,50	+0,3	212,9	336,0	116,0	5,0	16,00	311,0	1,0	
SP210	203,60		3,50		222,8	356,0	106,0	6,0	12,70	295,0	1,0	
SP215	208,60		3,50		227,8	376,0	103,0	6,0	12,40	288,0	1,0	
SP225	217,00		4,50	+0,4	237,0	462,0	144,0	6,0	17,90	416,0	1,0	
SP230	222,00		4,50		242,0	473,0	139,1	6,0	17,40	406,0	1,0	
SP240	232,00		4,50		252,0	495,0	130,0	6,0	16,80	390,0	0,5	
SP250	242,00		4,50		262,0	514,0	122,0	6,0	16,10	374,0	0,5	
SP260	252,00		4,50		272,0	536,0	114,0	6,0	15,50	360,0	0,5	
SP270	262,00		4,50		282,0	556,0	107,0	6,0	14,90	347,0	0,5	
SP280	272,00		4,50		292,0	578,0	101,0	6,0	14,40	335,0	0,5	
SP290	282,00		4,50		302,0	598,0	95,4	6,0	13,90	323,0	0,4	
SP300	290,00		5,50	+0,5	314,0	694,0	230,0	7,0	34,20	795,0	0,6	
SP310	300,00		5,50		324,0	800,0	218,0	7,0	28,40	770,0	0,5	
SP320	310,00		5,50		334,0	824,0	207,0	7,0	27,60	747,0	0,5	
SP340	330,00		5,50		354,0	875,0	187,0	7,0	26,00	702,0	0,4	
SP360	350,00		5,50		374,0	930,0	169,0	7,0	24,50	664,0	0,4	
SP370	360,00		5,50		384,0	955,0	162,0	7,0	23,80	646,0	0,4	
SP380	370,00		5,50		394,0	995,0	154,0	7,0	23,20	629,0	0,4	
SP400	390,00		5,50		414,0	1040,0	144,0	7,0	22,10	598,0	0,3	


Snap Rings for shafts

M2400/SW



d_1	Part number	s [-0,1]	b [-0,1]	d_3 max.	Weight [kg/1000]
4	SW4	0,5	0,80	3,7	0,02
5	SW5	0,5	1,00	4,7	0,05
6	SW6	0,7	1,10	5,6	0,09
7	SW7	0,7	1,20	6,5	0,12
8	SW8	1,0	1,30	7,4	0,20
9	SW9	1,0	1,30	8,4	0,24
10	SW10	1,0	1,30	9,4	0,25
11	SW11	1,0	1,30	10,2	0,29
12	SW12	1,0	1,30	11,2	0,30
13	SW13	1,0	1,30	12,2	0,34
14	SW14	1,2	1,50	13,1	0,50
15	SW15	1,2	1,75	14,0	0,66
16	SW16	1,2	1,75	15,0	0,69
17	SW17	1,2	1,75	16,0	0,72
18	SW18	1,2	1,75	17,0	0,75
19	SW19	1,2	1,75	17,9	0,80
20	SW20	1,2	1,75	18,7	0,84
21	SW21	1,2	1,75	19,7	0,87
22	SW22	1,2	1,75	20,7	0,91
24	SW24	1,2	1,75	22,5	0,99
25	SW25	1,2	1,75	23,5	1,00
26	SW26	1,2	1,75	24,5	1,10
27	SW27	1,5	2,30	25,5	2,00
28	SW28	1,5	2,30	26,5	2,11
29	SW29	1,5	2,30	27,5	2,20
30	SW30	1,5	2,30	28,5	2,33
32	SW32	1,5	2,30	30,2	2,41
35	SW35	1,5	2,30	33,2	2,51
37	SW37	1,5	2,30	35,2	2,72
38	SW38	1,5	2,30	36,2	2,83
40	SW40	1,5	2,30	37,8	2,91
42	SW42	1,5	2,30	39,8	3,10
43	SW43	1,5	2,30	40,8	3,25
45	SW45	1,5	2,30	42,8	3,39
47	SW47	1,5	2,30	44,8	3,48



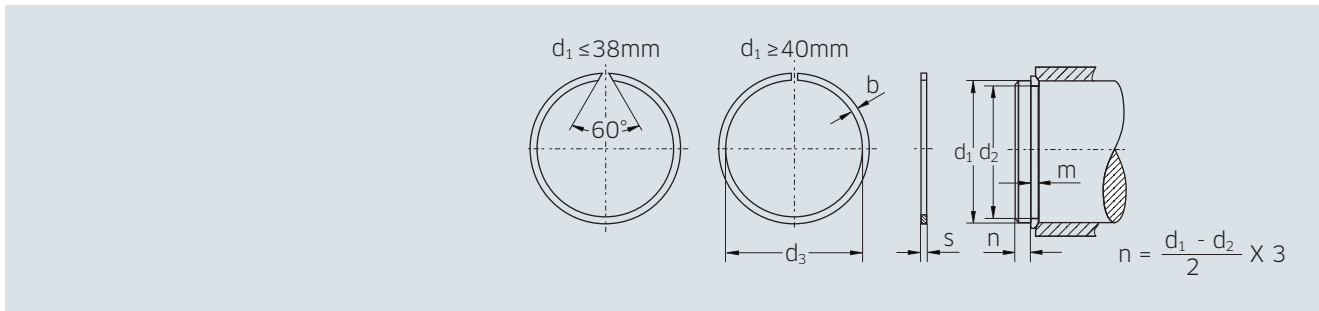
Part number		d ₂	Tolerance	m min.	Data			Article No.
					FN [kN]	FR [kN]	n _{det.} x1000 [rpm]	
SW4		3,8	-0,09	0,6	0,20	1,25	275	
SW5		4,8		0,6	0,26	1,30	192	
SW6		5,7		0,8	0,46	3,50	141	
SW7		6,7		0,8	0,54	3,50	134	
SW8		7,6		1,1	0,82	11,30	108	
SW9		8,6		1,1	0,92	10,60	80	
SW10		9,6		1,1	1,03	10,30	68	
SW11		10,5	-0,11	1,1	1,40	9,80	64	
SW12		11,5		1,1	1,53	9,30	53	
SW13		12,5		1,1	1,70	8,90	43	
SW14		13,5		1,3	1,80	17,00	45	
SW15		14,4		1,3	2,30	18,70	44	
SW16		15,4		1,3	2,47	17,70	38	
SW17		16,4		1,3	2,63	17,00	34	
SW18		17,4		1,3	2,78	16,20	30	
SW19		18,4	-0,13	1,3	2,94	15,60	29	
SW20		19,2		1,3	4,10	15,00	26	
SW21		20,2		1,3	4,30	14,60	23	
SW22		21,2		1,3	4,50	14,00	21	
SW24		23,0		1,3	6,15	13,30	18	
SW25		24,0		1,3	6,40	12,80	16	
SW26		25,0		1,3	6,65	12,50	15	
SW27		26,0		1,6	6,95	30,00	16	
SW28		27,0		1,6	7,20	29,30	15	
SW29		28,0		1,6	7,45	28,20	14	
SW30		29,0		1,6	7,70	27,50	13	
SW32		30,8	-0,16	1,6	9,90	26,50	13	
SW35		33,8		1,6	10,80	24,40	11	
SW37		35,8		1,6	11,30	23,50	9	
SW38		36,8		1,6	11,60	22,70	9	
SW40		38,5		1,6	15,50	22,00	8	
SW42		40,5		1,6	16,20	21,40	7	
SW43		41,5		1,6	16,50	21,10	7	
SW45		43,5		1,6	17,30	20,60	6	
SW47		45,5		1,6	18,20	19,20	6	


Snap Rings for shafts

M2400/SW



d_1	Part number	s [-0,1]	b [-0,1]	d_3 max.	Weight [kg/1000]
48	SW48	1,5	2,30	45,8	3,60
50	SW50	1,5	2,30	47,8	3,73
52	SW52	1,5	2,30	49,8	3,92
55	SW55	1,5	2,30	52,6	4,11
58	SW58	1,5	2,30	55,6	4,40
60	SW60	1,5	2,30	57,6	4,55
63	SW63	1,5	2,30	60,6	4,58
65	SW65	1,5	2,30	62,6	4,64
68	SW68	2,0	2,80	65,4	8,59
70	SW70	2,0	2,80	67,4	8,71
72	SW72	2,0	2,80	69,4	8,80
73	SW73	2,0	2,80	70,4	8,90
75	SW75	2,0	2,80	72,4	9,32
80	SW80	2,0	2,80	77,4	9,67
85	SW85	2,5	3,40	82,0	16,00
90	SW90	2,5	3,40	87,0	16,00
95	SW95	2,5	3,40	92,0	18,20
100	SW100	2,5	3,40	97,0	18,90
105	SW105	2,5	3,40	101,7	20,70
110	SW110	2,5	3,40	106,6	20,90
115	SW115	2,5	3,40	111,6	22,10
120	SW120	2,5	3,40	116,5	24,10
125	SW125	2,5	3,40	121,5	25,10
130	SW130	2,5	3,40	126,4	26,60
135	SW135	2,5	4,00	131,1	30,20
140	SW140	2,5	4,00	136,0	31,10
145	SW145	2,5	4,00	141,0	32,60
150	SW150	2,5	4,00	145,9	32,80
155	SW155	2,5	4,00	150,9	34,70
160	SW160	2,5	4,00	155,8	36,60
165	SW165	2,5	4,00	160,8	37,40
170	SW170	2,5	4,00	165,7	38,50
175	SW175	2,5	4,00	170,7	39,40
180	SW180	3,0	5,00	175,2	61,20
185	SW185	3,0	5,00	180,2	63,90



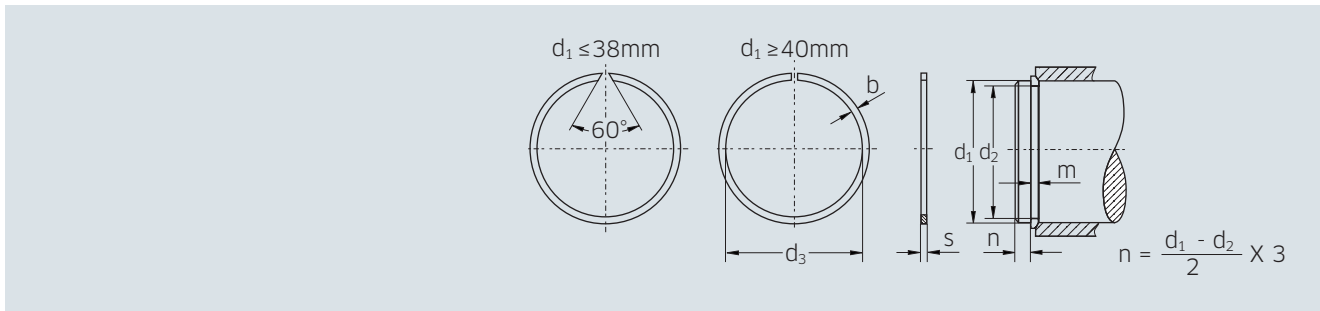
Part number		d ₂	Tolerance	m min.	Data			Article No.
					FN [kN]	FR [kN]	%det. x1000 [rpm]	
SW48		46,5	-0,16	1,6	18,70	18,60	5,0	
SW50		48,5		1,6	19,50	18,10	5,0	
SW52		50,5	-0,19	1,6	20,20	17,70	4,0	
SW55		53,5		1,6	21,00	16,50	4,0	
SW58		56,5		1,6	22,50	15,70	4,0	
SW60		58,5		1,6	23,20	15,40	4,0	
SW63		61,5		1,6	24,40	14,70	3,0	
SW65		63,5		1,6	25,20	14,20	3,0	
SW68		66,2		2,2	31,70	39,60	3,0	
SW70		68,2		2,2	32,50	38,40	3,0	
SW72		70,2		2,2	33,70	37,60	3,0	
SW73		71,2		2,2	34,00	37,00	3,0	
SW75		73,2		2,2	35,00	36,20	2,0	
SW80		78,2		2,2	37,40	34,20	2,0	
SW85		83,0	-0,22	2,7	44,00	72,00	2,0	
SW90		88,0		2,7	46,50	66,30	2,0	
SW95		93,0		2,7	49,20	61,80	2,0	
SW100		98,0		2,7	51,90	57,30	2,0	
SW105		102,7		2,7	65,00	54,00	2,0	
SW110		107,7		2,7	69,00	50,40	1,0	
SW115		112,7		2,7	71,00	47,20	1,0	
SW120		117,7		2,7	75,00	44,80	1,0	
SW125		122,7	-0,25	2,7	78,50	41,80	1,0	
SW130		127,7		2,7	84,00	39,60	1,0	
SW135		132,4		2,7	87,00	44,00	1,0	
SW140		137,4		2,7	91,50	41,60	1,0	
SW145		142,4		2,7	95,00	39,60	1,0	
SW150		147,4		2,7	98,00	37,50	1,0	
SW155		154,4		2,7	100,00	36,30	1,0	
SW160		157,4		2,7	103,00	35,60	1,0	
SW165		162,4		2,7	106,00	34,20	0,5	
SW170		167,4		2,7	108,00	33,50	0,5	
SW175		172,4		2,7	117,00	32,20	0,4	
SW180		177,0		3,2	140,00	67,50	1,0	
SW185		182,0		3,2	144,00	66,20	1,0	

Snap Rings for shafts

M2400/SW



d_1	Part number	s [-0,1]	b [-0,1]	d_3 max.	Weight [kg/1000]
190	SW190	3,0	5,0	185,1	65,90
195	SW195	3,0	5,0	190,1	67,50
200	SW200	3,0	5,0	196,0	68,40
210	SW210	3,0	5,0	204,9	72,00
220	SW220	3,0	5,0	214,8	76,30
230	SW230	3,0	5,0	224,7	79,80
240	SW240	3,0	5,0	234,6	81,70
250	SW250	3,0	5,0	244,5	86,50
260	SW260	4,0	7,5	252,4	179,00
265	SW265	4,0	7,5	257,4	185,20
270	SW270	4,0	7,5	262,3	197,70
280	SW280	4,0	7,5	272,2	198,70
285	SW285	4,0	7,5	277,2	199,50
290	SW290	4,0	7,5	282,1	205,30
300	SW300	4,0	7,5	292,1	214,20
305	SW305	4,0	7,5	297,1	219,40
310	SW310	4,0	7,5	302,0	223,10
320	SW320	4,0	7,5	311,9	225,30
330	SW330	4,0	7,5	321,8	228,60
340	SW340	4,0	7,5	331,7	239,30
350	SW350	4,0	7,5	341,6	251,20
360	SW360	4,0	7,5	351,5	253,10
370	SW370	4,0	7,5	361,5	259,20
380	SW380	4,0	7,5	371,4	265,80
390	SW390	4,0	7,5	381,3	273,90
400	SW400	4,0	7,5	391,2	281,10
420	SW420	4,5	12,0	410,0	531,00
460	SW460	4,5	12,0	449,5	582,00



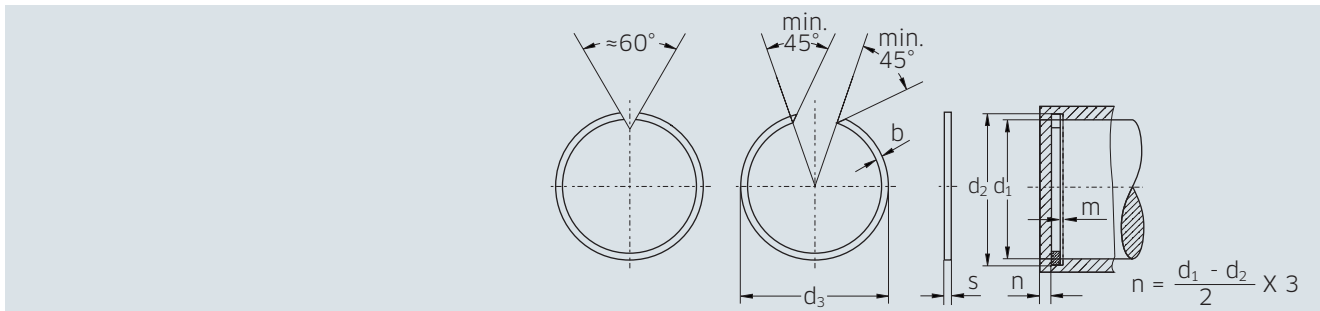
Part number	d_2	Tolerance	m min.	Data			Article No.
				FN [kN]	FR [kN]	%det. x1000 [rpm]	
SW190	187,0	-0,29	3,2	148,0	64,0	1,0	
SW195	192,0		3,2	152,0	62,6	1,0	
SW200	197,0		3,2	156,0	61,4	0,5	
SW210	207,0		3,2	164,0	58,0	0,5	
SW220	217,0		3,2	171,0	55,5	0,4	
SW230	227,0		3,2	180,0	53,0	0,3	
SW240	237,0		3,2	187,0	51,0	0,3	
SW250	247,0	-0,32	3,2	195,0	49,0	0,3	
SW260	255,0		4,2	338,0	168,0	0,4	
SW265	260,0		4,2	344,0	165,0	0,4	
SW270	265,0		4,2	350,0	162,0	0,4	
SW280	275,0		4,2	362,0	155,0	0,4	
SW285	280,0		4,2	370,0	151,0	0,3	
SW290	285,0		4,2	377,0	148,0	0,3	
SW300	295,0	-0,32	4,2	390,0	145,0	0,3	
SW305	300,0		4,2	396,0	142,0	0,3	
SW310	305,0		4,2	402,0	139,0	0,3	
SW320	315,0		4,2	416,0	137,0	0,3	
SW330	325,0	-0,36	4,2	428,0	132,0	0,2	
SW340	335,0		4,2	442,0	129,0	0,2	
SW350	345,0		4,2	455,0	123,0	0,2	
SW360	355,0		4,2	468,0	120,0	0,2	
SW370	365,0		4,2	482,0	117,0	0,2	
SW380	375,0		4,2	494,0	115,0	0,2	
SW390	385,0		4,2	507,0	112,0	0,2	
SW400	395,0		4,2	521,0	109,0	0,1	
SW420	415,0		4,8	547,0	133,0	0,3	
SW460	455,0		4,8	600,0	126,0	0,2	

Snap Rings for bores

M2300/SB



d_1	Part number	s (-0,1)	b (-0,1)	d_3 min.	Weight [kg/1000]
7	SB7	0,8	1,00	7,5	0,09
8	SB8	0,8	1,00	8,5	0,10
9	SB9	0,8	1,10	9,5	0,13
10	SB10	0,8	1,20	10,6	0,15
11	SB11	1,0	1,30	11,6	0,21
12	SB12	1,0	1,30	12,7	0,25
13	SB13	1,0	1,30	13,8	0,28
14	SB14	1,0	1,30	14,8	0,31
15	SB15	1,0	1,30	15,8	0,34
16	SB16	1,2	1,60	16,8	0,53
17	SB17	1,2	1,70	17,8	0,55
18	SB18	1,2	1,75	18,9	0,68
19	SB19	1,2	1,75	19,9	0,72
20	SB20	1,2	1,75	21,0	0,76
21	SB21	1,2	1,75	22,0	0,79
22	SB22	1,2	1,75	23,0	0,81
23	SB23	1,2	1,75	24,0	0,88
24	SB24	1,2	1,75	25,2	0,90
25	SB25	1,2	1,75	26,2	0,91
26	SB26	1,2	1,75	27,2	0,98
27	SB27	1,2	1,75	28,2	1,11
28	SB28	1,2	1,75	29,2	1,13
29	SB29	1,2	1,75	30,2	1,15
30	SB30	1,5	2,30	31,4	2,00
31	SB31	1,5	2,30	32,4	2,03
32	SB32	1,5	2,30	33,4	2,11
33	SB33	1,5	2,30	34,4	2,26
34	SB34	1,5	2,30	35,4	2,34
35	SB35	1,5	2,30	36,4	2,36
37	SB37	1,5	2,30	38,8	2,53
38	SB38	1,5	2,30	39,8	2,61
39	SB39	1,5	2,30	40,8	2,67
40	SB40	1,5	2,30	41,8	2,80
42	SB42	1,5	2,30	43,8	2,92
43	SB43	1,5	2,30	44,8	3,03



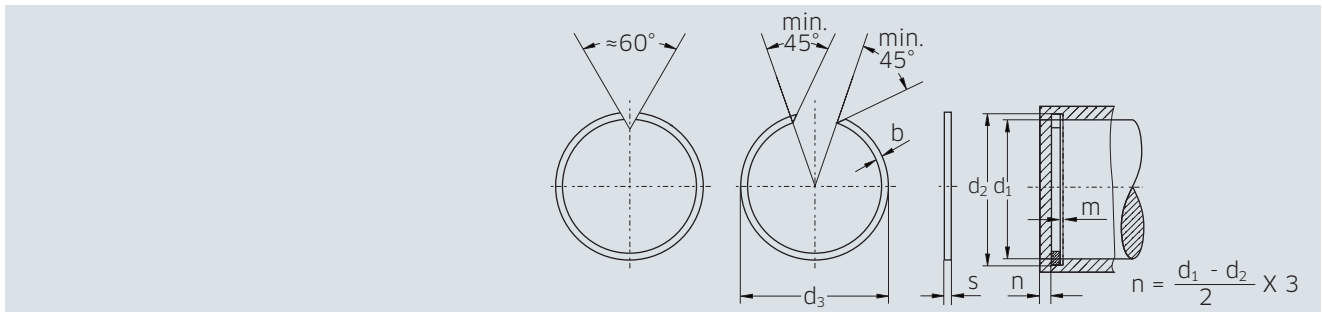
Part number	d ₂	Tolerance	m min.	Data		Article No.
				FN [kN]	FR [kN]	
SB7	7,3	+0,09	0,9	0,55	3,30	
SB8	8,3		0,9	0,65	3,25	
SB9	9,3		0,9	0,70	3,20	
SB10	10,4		0,9	1,05	3,15	
SB11	11,4	+0,11	1,1	1,15	9,15	
SB12	12,4		1,1	1,30	8,90	
SB13	13,5		1,1	1,75	8,80	
SB14	14,5		1,1	1,90	8,20	
SB15	15,5		1,1	2,00	7,70	
SB16	16,5		1,3	2,10	15,50	
SB17	17,5		1,3	2,25	15,40	
SB18	18,5	+0,13	1,3	2,40	15,10	
SB19	19,6		1,3	3,00	14,80	
SB20	20,6		1,3	3,20	14,20	
SB21	21,6		1,3	3,35	13,70	
SB22	22,6		1,3	3,50	13,10	
SB23	23,6		1,3	3,65	12,80	
SB24	24,8		1,3	5,10	12,50	
SB25	25,8		1,3	5,30	12,00	
SB26	26,8		1,3	5,50	11,50	
SB27	27,8		1,3	5,70	11,30	
SB28	28,8		1,3	5,95	11,00	
SB29	29,8		1,3	6,15	10,90	
SB30	31,0	+0,16	1,6	8,00	26,00	
SB31	32,0		1,6	8,25	25,60	
SB32	33,0		1,6	8,50	25,00	
SB33	34,0		1,6	8,75	24,60	
SB34	35,0		1,6	9,00	23,80	
SB35	36,0		1,6	9,30	23,30	
SB37	38,2		1,6	11,75	22,00	
SB38	39,2		1,6	12,15	21,60	
SB39	40,2		1,6	12,40	21,00	
SB40	41,2		1,6	12,70	20,70	
SB42	43,2		1,6	13,30	19,80	
SB43	44,2		1,6	13,70	19,60	

Snap Rings for bores

M2300/SB



d_1	Part number	s (-0,1)	b (-0,1)	d_3 min.	Weight [kg/1000]
44	SB44	1,5	2,3	45,8	3,11
45	SB45	1,5	2,3	46,8	3,25
46	SB46	1,5	2,3	47,8	3,28
47	SB47	1,5	2,3	48,8	3,29
48	SB48	1,5	2,3	49,8	3,45
50	SB50	1,5	2,3	51,8	3,57
52	SB52	1,5	2,3	54,3	3,58
53	SB53	1,5	2,3	55,3	3,82
55	SB55	1,5	2,3	57,3	3,93
57	SB57	1,5	2,3	59,3	4,12
58	SB58	1,5	2,3	60,3	4,13
60	SB60	1,5	2,3	62,3	4,28
62	SB62	1,5	2,3	64,3	4,42
63	SB63	1,5	2,3	65,3	4,50
65	SB65	1,5	2,3	67,3	4,72
68	SB68	1,5	2,3	70,3	4,90
70	SB70	1,5	2,3	72,3	4,93
72	SB72	2,0	2,8	74,6	8,49
73	SB73	2,0	2,8	75,6	8,52
74	SB74	2,0	2,8	76,6	8,60
76	SB76	2,0	2,8	78,6	8,89
78	SB78	2,0	2,8	80,6	9,05
79	SB79	2,0	2,8	81,6	9,07
80	SB80	2,0	2,8	82,6	9,22
81	SB81	2,0	2,8	83,6	9,31
82	SB82	2,0	2,8	84,6	9,45
83	SB83	2,0	2,8	85,6	9,63
85	SB85	2,0	2,8	87,6	9,81
86	SB86	2,0	2,8	88,6	9,91
88	SB88	2,5	3,4	91,0	15,40
90	SB90	2,5	3,4	93,0	15,60
92	SB92	2,5	3,4	95,0	16,60
93	SB93	2,5	3,4	96,0	16,80
95	SB95	2,5	3,4	98,0	16,90
97	SB97	2,5	3,4	100,0	17,10



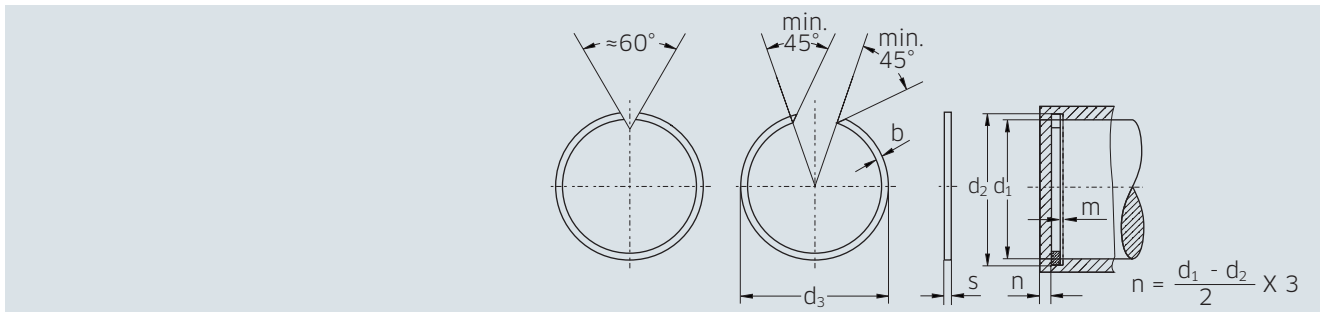
Part number	d ₂	Tolerance	m min.	Data		Article No.
				FN [kN]	FR [kN]	
SB44	45,2	+0,16	1,6	14,00	19,30	
SB45	46,2		1,6	14,25	19,00	
SB46	47,2		1,6	14,65	18,40	
SB47	48,2		1,6	14,90	18,10	
SB48	49,2		1,6	15,30	17,60	
SB50	51,2	+0,19	1,6	15,80	17,20	
SB52	53,5		1,6	20,65	16,30	
SB53	54,5		1,6	21,05	16,10	
SB55	56,5		1,6	21,80	15,70	
SB57	58,5		1,6	22,60	15,30	
SB58	59,5		1,6	23,00	15,00	
SB60	61,5		1,6	23,80	14,60	
SB62	63,5		1,6	24,60	14,20	
SB63	64,5		1,6	25,00	13,70	
SB65	66,5		1,6	25,70	13,60	
SB68	69,5		1,6	26,90	12,90	
SB70	71,5		1,6	27,70	12,80	
SB72	73,8		2,2	34,20	35,70	
SB73	74,8		2,2	34,70	35,30	
SB74	75,8		2,2	35,30	34,80	
SB76	77,8		2,2	36,20	33,80	
SB78	79,8		2,2	37,10	32,60	
SB79	80,8	+0,22	2,2	37,60	32,00	
SB80	81,8		2,2	38,00	31,40	
SB81	82,8		2,2	38,60	31,30	
SB82	83,8		2,2	39,00	30,70	
SB83	84,8		2,2	39,50	30,10	
SB85	86,8		2,2	40,40	29,60	
SB86	87,8		2,2	40,90	29,00	
SB88	90,0		2,7	46,50	65,80	
SB90	92,0		2,7	47,60	63,50	
SB92	94,0		2,7	48,60	62,00	
SB93	95,0		2,7	49,20	61,80	
SB95	97,0		2,7	50,20	59,30	
SB97	99,0		2,7	51,30	58,20	

Snap Rings for bores

M2300/SB



d_1	Part number	s (-0,1)	b (-0,1)	d_3 min.	Weight [kg/1000]
98	SB98	2,5	3,4	101,0	17,5
100	SB100	2,5	3,4	103,0	17,9
102	SB102	2,5	3,4	105,3	18,4
103	SB103	2,5	3,4	106,3	18,5
105	SB105	2,5	3,4	108,3	18,7
107	SB107	2,5	3,4	110,3	19,1
108	SB108	2,5	3,4	111,3	19,3
110	SB110	2,5	3,4	113,4	19,8
112	SB112	2,5	3,4	115,4	20,3
113	SB113	2,5	3,4	116,4	20,5
115	SB115	2,5	3,4	118,4	20,6
117	SB117	2,5	3,4	120,4	20,8
118	SB118	2,5	3,4	121,4	21,1
120	SB120	2,5	3,4	123,5	21,4
123	SB123	2,5	3,4	126,5	22,0
125	SB125	2,5	3,4	128,5	22,5
127	SB127	2,5	3,4	130,5	23,0
130	SB130	2,5	3,4	133,6	23,4
133	SB133	2,5	3,4	136,6	24,4
135	SB135	2,5	3,4	138,6	25,0
137	SB137	2,5	3,4	140,6	25,3
140	SB140	2,5	4,0	144,0	29,3
143	SB143	2,5	4,0	147,0	30,1
150	SB150	2,5	4,0	154,1	31,9
153	SB153	2,5	4,0	157,1	32,6
160	SB160	2,5	4,0	164,2	34,4
163	SB163	2,5	4,0	167,2	34,6
165	SB165	2,5	4,0	169,2	34,9
170	SB170	2,5	4,0	174,3	36,2
173	SB173	2,5	4,0	177,3	37,1
175	SB175	2,5	4,0	179,3	37,3
180	SB180	2,5	4,0	184,5	38,3
183	SB183	2,5	4,0	187,5	41,0
190	SB190	3,0	5,0	194,9	61,3
195	SB195	3,0	5,0	199,9	61,6



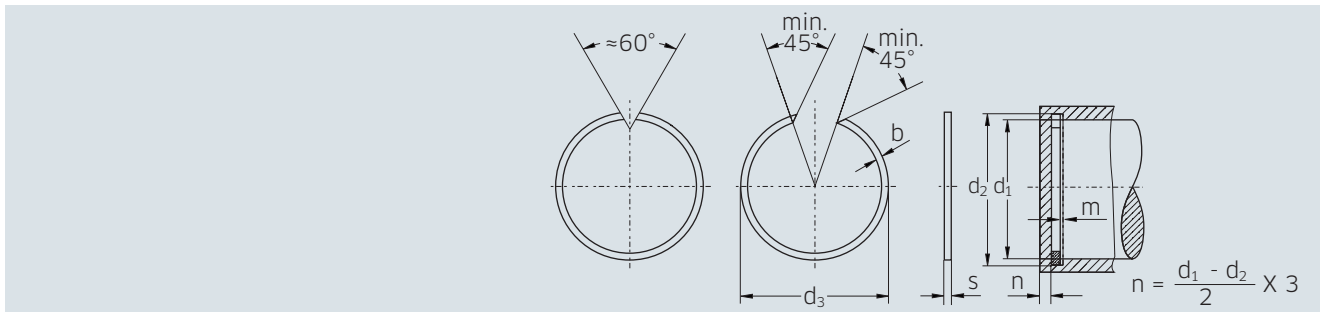
Part number	d ₂	Tolerance	m min.	Data		Article No.
				FN [kN]	FR [kN]	
SB98	100,0	+0,22	2,7	51,8	56,6	
SB100	102,0		2,7	52,8	55,5	
SB102	104,3		2,7	62,0	53,6	
SB103	105,3		2,7	62,6	53,2	
SB105	107,3		2,7	63,8	51,8	
SB107	109,3		2,7	65,0	50,7	
SB108	110,3		2,7	65,6	50,5	
SB110	112,3		2,7	66,8	49,0	
SB112	114,3		2,7	68,0	47,0	
SB113	115,3		2,7	68,6	46,5	
SB115	117,3		2,7	69,4	45,5	
SB117	119,3		2,7	71,0	44,6	
SB118	120,3	+0,25	2,7	71,7	44,2	
SB120	122,3		2,7	72,8	43,3	
SB123	125,3		2,7	74,7	41,2	
SB125	127,3		2,7	75,9	40,2	
SB127	129,3		2,7	77,0	39,8	
SB130	132,3		2,7	78,9	38,2	
SB133	135,3		2,7	80,7	36,8	
SB135	137,3		2,7	81,9	36,6	
SB137	139,3		2,7	83,0	35,6	
SB140	142,6		2,7	96,1	40,2	
SB143	145,6		2,7	98,1	38,6	
SB150	152,6		2,7	102,0	36,2	
SB153	155,6		2,7	104,0	35,6	
SB160	162,6		2,7	108,0	34,6	
SB163	165,6		2,7	111,0	33,5	
SB165	167,6		2,7	113,0	32,8	
SB170	172,6		2,7	116,0	32,0	
SB173	175,6		2,7	118,0	32,0	
SB175	177,6		2,7	119,0	31,4	
SB180	182,6	+0,29	2,7	123,0	30,8	
SB183	185,6		2,7	125,0	30,0	
SB190	193,0		3,2	150,0	62,8	
SB195	198,0		3,2	154,0	61,5	

Snap Rings for bores

M2300/SB



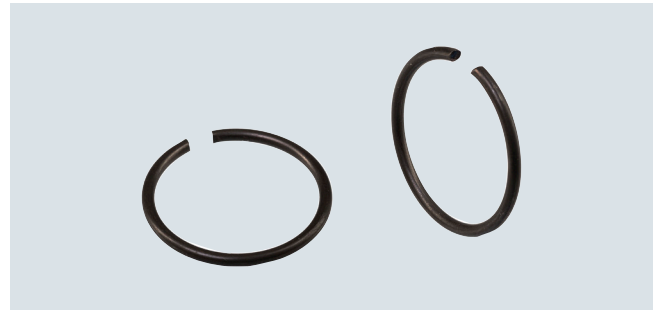
d_1	Part number	s (-0,1)	b (-0,1)	d_3 min.	Weight [kg/1000]
200	SB200	3,0	5,0	205,0	64,5
205	SB205	3,0	5,0	210,0	66,4
210	SB210	3,0	5,0	215,1	68,8
215	SB215	3,0	5,0	220,1	69,5
220	SB220	3,0	5,0	225,2	72,4
225	SB225	3,0	5,0	230,2	72,9
230	SB230	3,0	5,0	235,3	75,2
240	SB240	3,0	5,0	245,4	80,9
250	SB250	3,0	5,0	255,5	84,2
260	SB260	4,0	7,5	267,6	165,0
270	SB270	4,0	7,5	277,7	174,0
280	SB280	4,0	7,5	287,8	184,0
290	SB290	4,0	7,5	297,9	190,0
300	SB300	4,0	7,5	307,9	196,0
310	SB310	4,0	7,5	318,0	200,0
320	SB320	4,0	7,5	328,1	203,0
325	SB325	4,0	7,5	333,1	206,0
330	SB330	4,0	7,5	338,2	209,0
340	SB340	4,0	7,5	348,3	219,0
350	SB350	4,0	7,5	358,4	229,0
355	SB355	4,0	7,5	363,4	231,0
360	SB360	4,0	7,5	368,5	233,0
370	SB370	4,0	7,5	378,5	236,0
375	SB375	4,0	7,5	383,5	240,0
380	SB380	4,0	7,5	388,6	242,0
390	SB390	4,0	7,5	398,7	253,0
395	SB395	4,0	7,5	403,7	257,0
400	SB400	4,0	7,5	408,9	260,0
410	SB410	4,0	7,5	419,0	266,0
415	SB415	4,0	7,5	424,0	273,0
420	SB420	4,0	7,5	429,1	277,0
430	SB430	4,0	7,5	439,2	285,0
440	SB440	4,0	7,5	449,3	294,0



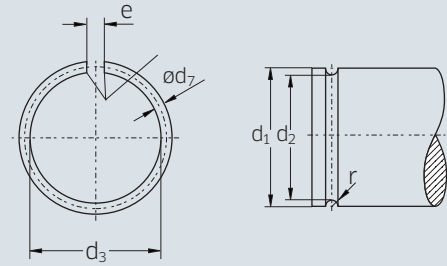
Part number	d ₂	Tolerance	m min.	Data		
				FN [kN]	FR [kN]	Article No.
SB200	203,0	+0,29	3,2	158,0	59,0	
SB205	208,0		3,2	162,0	57,8	
SB210	213,0		3,2	166,0	56,8	
SB215	218,0		3,2	169,0	55,5	
SB220	223,0		3,2	173,0	54,4	
SB225	228,0		3,2	177,0	53,3	
SB230	233,0		3,2	181,0	52,0	
SB240	243,0		3,2	189,0	49,6	
SB250	253,0	+0,32	3,2	197,0	48,5	
SB260	265,0		4,2	343,0	162,0	
SB270	275,0		4,2	356,0	157,0	
SB280	285,0		4,2	369,0	152,0	
SB290	295,0		4,2	382,0	144,0	
SB300	305,0		4,2	395,0	140,0	
SB310	315,0		4,2	408,0	136,0	
SB320	325,0	+0,36	4,2	422,0	132,0	
SB325	330,0		4,2	428,0	129,0	
SB330	335,0		4,2	435,0	126,0	
SB340	345,0		4,2	448,0	123,0	
SB350	355,0		4,2	452,0	121,0	
SB355	360,0		4,2	467,0	121,0	
SB360	365,0		4,2	487,0	119,0	
SB370	375,0		4,2	493,0	116,0	
SB375	380,0		4,2	500,0	112,0	
SB380	385,0		4,2	513,0	111,0	
SB390	395,0		4,2	520,0	110,0	
SB395	400,0		4,2	526,0	109,0	
SB400	405,0	+0,40	4,2	529,0	106,0	
SB410	415,0		4,2	546,0	105,0	
SB415	420,0		4,2	552,0	104,0	
SB420	425,0		4,2	553,0	101,0	
SB430	435,0		4,2	565,0	100,0	
SB440	445,0		4,2	578,0	98,0	

Round wire rings for shafts

DIN 7993 A/RW



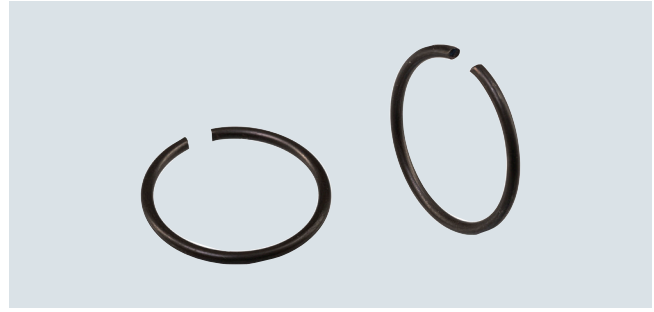
d_1	Part number	d_7	d_3	Tolerance	e =	Weight [kg/1000]
4	RW4	0,8	3,1	- 0,2	1	0,044
5	RW5	0,8	4,1		1	0,057
6	RW6	0,8	5,1		1	0,069
7	RW7	0,8	6,1	- 0,3	2	0,077
8	RW8	0,8	7,1		2	0,090
10	RW10	0,8	9,1		2	0,115
12	RW12	1,0	10,8	- 0,4	3	0,210
14	RW14	1,0	12,8		3	0,250
16	RW16	1,6	14,2		3	0,740
18	RW18	1,6	16,2		3	0,830
20	RW20	2,0	17,7	- 0,5	3	1,450
22	RW22	2,0	19,7		3	1,600
24	RW24	2,0	21,7		3	1,780
25	RW25	2,0	22,7		3	1,840
26	RW26	2,0	23,7		3	1,910
28	RW28	2,0	25,7		3	2,070
30	RW30	2,0	27,7		3	2,220
32	RW32	2,5	29,1	- 0,6	4	3,670
35	RW35	2,5	32,1		4	3,980
38	RW38	2,5	35,1		4	4,400
40	RW40	2,5	37,1		4	4,64
42	RW42	2,5	39,0	- 0,8	4	4,87
45	RW45	2,5	42,0		4	5,23
48	RW48	2,5	45,0		4	5,60
50	RW50	2,5	47,0		4	5,83
55	RW55	3,2	51,1		4	10,51
60	RW60	3,2	56,1		4	11,50
65	RW65	3,2	61,1		4	12,49
70	RW70	3,2	66,0	- 1,0	5	13,40
75	RW75	3,2	71,0		5	14,39
80	RW80	3,2	76,0		5	15,38
85	RW85	3,2	81,0		5	16,38
90	RW90	3,2	86,0		5	17,37
95	RW95	3,2	91,0		5	18,36
100	RW100	3,2	95,8	- 1,2	5	19,31



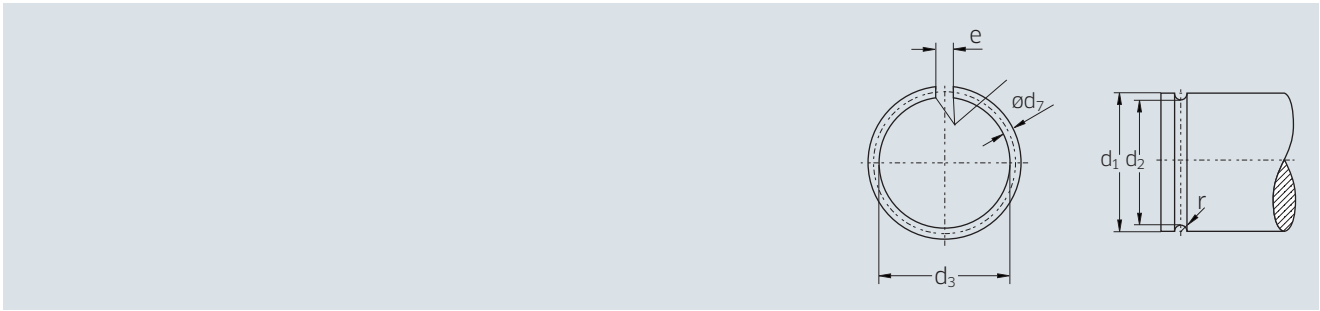
Part number	d ₂	Tolerance	r	n _{det.}	Article No.
				x 1000	
				[rpm]	
RW4	3,2	±0,05	0,5	175	
RW5	4,2		0,5	112	
RW6	5,2		0,5	77	
RW7	6,2		0,5	57	
RW8	7,2		0,5	44	
RW10	9,2		0,5	28	
RW12	11,0		0,6	24	
RW14	13,0		0,6	18	
RW16	14,4		0,9	22	
RW18	16,4		0,9	17	
RW20	18,0	±0,10	1,1	18	
RW22	20,0		1,1	15	
RW24	22,0		1,1	12	
RW25	23,0		1,1	11	
RW26	24,0		1,1	10	
RW28	26,0		1,1	9	
RW30	28,0		1,1	8	
RW32	29,5		1,4	9	
RW35	32,5		1,4	7	
RW38	35,5		1,4	6	
RW40	37,5		1,4	6	
RW42	39,5		1,4	5	
RW45	42,5		1,4	4	
RW48	45,5		1,4	4	
RW50	47,5		1,4	4	
RW55	51,8	±0,15	1,8	4	
RW60	56,8		1,8	3	
RW65	61,8		1,8	3	
RW70	66,8		1,8	2	
RW75	71,8		1,8	2	
RW80	76,8		1,8	2	
RW85	81,8		1,8	2	
RW90	86,8		1,8	1	
RW95	91,8		1,8	1	
RW100	96,8		1,8	1	

Round wire rings for shafts

DIN 7993 A/RW



d_1	Part number	d_7	d_3	Tolerance	$e \approx$	Weight [kg/1000]
105	RW105	3,2	100,8	- 1,2	5	20,30
110	RW110	3,2	105,8		5	21,29
115	RW115	3,2	110,8		5	22,29
120	RW120	3,2	115,8		5	23,28
125	RW125	3,2	120,8		5	24,27



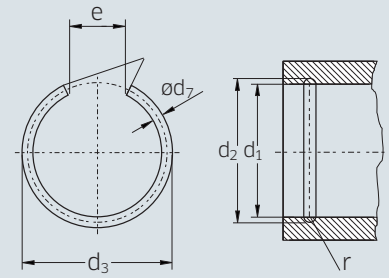
Part number	d ₂	Tolerance	r	n _{det.} x 1000	Article No.
				[rpm]	
RW105	101,8	±0,15	1,8	1	
RW110	106,8		1,8	1	
RW115	111,8		1,8	1	
RW120	116,8		1,8	1	
RW125	121,8		1,8	1	

Round wire rings for bores

DIN 7993 B/RB



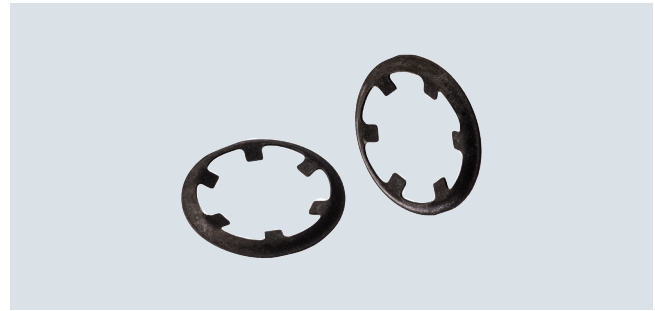
d_1	Part number	d_7	d_3	Tolerance	e =	Weight [kg/1000]
7	RB7	0,8	7,9	+0,3	4	0,071
8	RB8	0,8	8,9		4	0,083
10	RB10	0,8	10,9		4	0,108
12	RB12	1,0	13,2	+0,4	6	0,196
14	RB14	1,0	15,2		6	0,234
16	RB16	1,6	17,8		8	0,706
18	RB18	1,6	19,8		8	0,804
20	RB20	2,0	22,3	+0,5	10	1,320
22	RB22	2,0	24,3		10	1,470
24	RB24	2,0	26,3		10	1,630
25	RB25	2,0	27,3		10	1,700
26	RB26	2,0	28,3		10	1,790
28	RB28	2,0	30,3		10	1,940
30	RB30	2,0	32,3		10	2,100
32	RB32	2,5	34,9	+0,6	12	3,470
35	RB35	2,5	37,9		12	3,850
38	RB38	2,5	40,9		12	4,200
40	RB40	2,5	42,9		12	4,430
42	RB42	2,5	45,0	+0,8	16	4,540
45	RB45	2,5	48,8		16	4,89
48	RB48	2,5	51,0		16	5,24
50	RB50	2,5	53,0		16	5,51
55	RB55	3,2	58,9		20	9,77
60	RB60	3,2	63,9		20	10,76
65	RB65	3,2	68,9		20	11,75
70	RB70	3,2	74,0	+1,0	25	12,44
75	RB75	3,2	79,0		25	13,43
80	RB80	3,2	84,0		25	14,42
85	RB85	3,2	89,0		25	15,41
90	RB90	3,2	94,0		25	16,40
95	RB95	3,2	99,0	+1,2	25	17,39
100	RB100	3,2	104,2		32	17,98
105	RB105	3,2	109,2		32	18,98
110	RB110	3,2	114,2		32	19,97
115	RB115	3,2	119,2		32	20,96
120	RB120	3,2	124,2		32	21,95
125	RB125	3,2	129,2		32	22,94



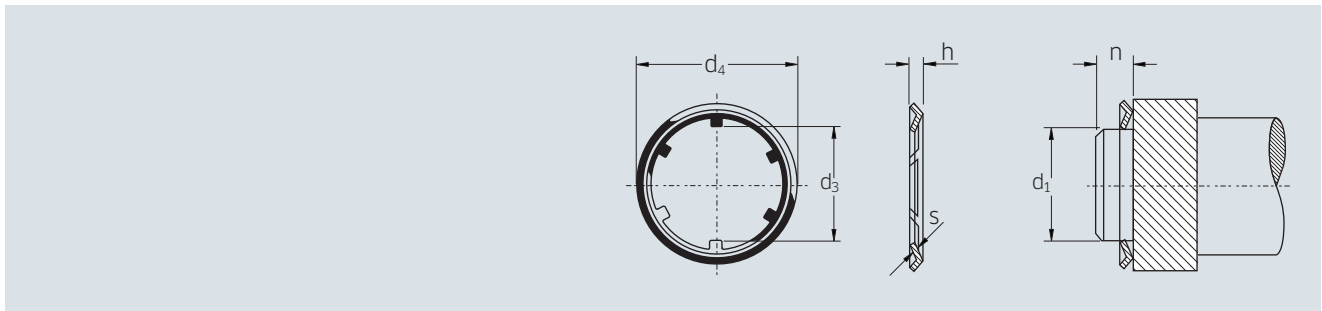
Part number	d_2	Tolerance	r	Article No.
RB7	7,8	±0,05	0,5	
RB8	8,8		0,5	
RB10	10,8		0,5	
RB12	13,0		0,6	
RB14	15,0		0,6	
RB16	17,6		0,9	
RB18	19,6		0,9	
RB20	22,0	±0,10	1,1	
RB22	24,0		1,1	
RB24	26,0		1,1	
RB25	27,0		1,1	
RB26	28,0		1,1	
RB28	30,0		1,1	
RB30	32,0		1,1	
RB32	34,5		1,4	
RB35	37,5		1,4	
RB38	40,5		1,4	
RB40	42,5		1,4	
RB42	44,5		1,4	
RB45	47,5		1,4	
RB48	50,5		1,4	
RB50	52,5		1,4	
RB55	58,2	±0,15	1,8	
RB60	63,2		1,8	
RB65	68,2		1,8	
RB70	73,2		1,8	
RB75	78,2		1,8	
RB80	83,2		1,8	
RB85	88,2		1,8	
RB90	93,2		1,8	
RB95	98,2		1,8	
RB100	103,2		1,8	
RB105	108,2		1,8	
RB110	113,2		1,8	
RB115	118,2		1,8	
RB120	123,2		1,8	
RB125	128,2		1,8	

Push-on fix for shafts

M1455/ZA



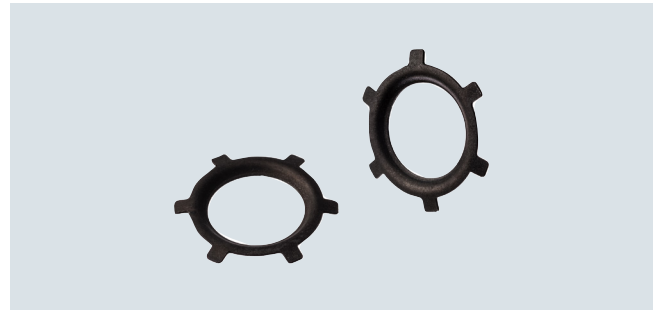
d_1	Part number	Tolerance	d_3	d_4	s	Nut	n min.	h	Tolerance
1,5	ZA1,5	±0,10	1,40	6,0	0,25	3	1,5	0,6	±0,15
2,0	ZA2,0		1,85	6,5	0,25	3	1,5	0,6	
3,0	ZA3,0		2,80	8,0	0,25	4	1,5	0,8	
3,5	ZA3,5		3,30	8,2	0,25	4	2,0	0,9	
4,0	ZA4,0		3,80	9,0	0,25	4	2,0	0,8	
5,0	ZA5,0	±0,12	4,80	10,0	0,25	4	2,0	0,8	
6,0	ZA6,0		5,80	11,0	0,25	4	2,5	0,8	
7,0	ZA7,0		6,80	12,0	0,25	4	2,5	0,8	
8,0	ZA8,0		7,75	13,0	0,25	4	2,5	0,8	
9,0	ZA9,0		8,75	14,0	0,30	6	2,5	0,9	
10,0	ZA10,0	±0,15	9,75	16,0	0,30	6	3,0	1,1	
12,0	ZA12,0		11,70	18,0	0,30	6	3,0	1,1	
14,0	ZA14,0		13,70	20,5	0,30	6	3,0	1,2	
15,0	ZA15,0		14,60	23,0	0,50	8	3,0	1,6	
16,0	ZA16,0		15,60	24,5	0,40	8	3,0	1,4	
17,0	ZA17,0		16,60	26,0	0,50	8	3,5	1,5	
18,0	ZA18,0		17,60	27,0	0,40	8	3,5	1,4	
19,0	ZA19,0		18,60	28,0	0,50	8	3,5	1,5	
20,0	ZA20,0		19,50	29,0	0,50	8	3,5	1,6	
22,0	ZA22,0		21,50	31,0	0,50	8	3,5	1,6	
23,0	ZA23,0		22,50	31,5	0,50	8	4,0	1,5	
25,0	ZA25,0		24,50	34,0	0,50	8	4,0	1,6	
28,0	ZA28,0		27,50	37,0	0,50	8	4,0	1,8	
30,0	ZA30,0		29,50	40,0	0,50	8	4,0	1,8	
35,0	ZA35,0		34,50	46,0	0,50	8	4,0	1,8	
45,0	ZA45,0		44,50	60,0	0,50	8	4,0	2,5	



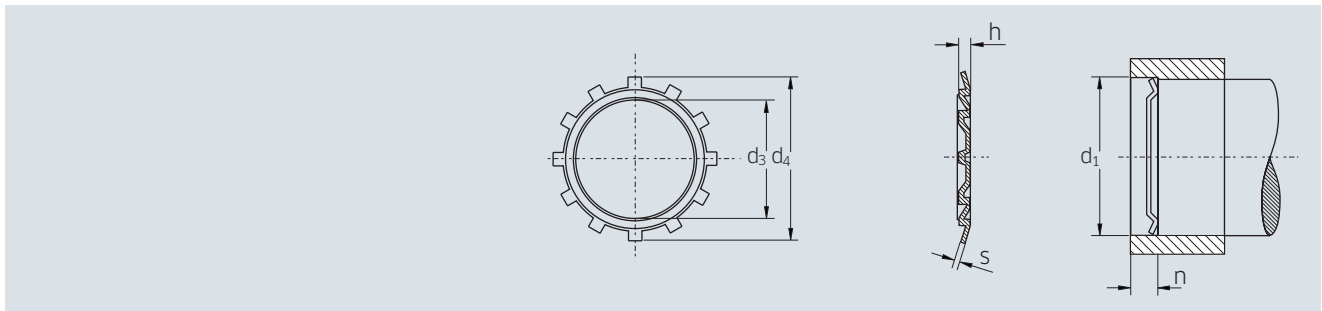
Data			
Part number	Weight [kg/1000]	FRg [N]	Article No.
ZA1,5	0,040	100	
ZA2,0	0,042	150	
ZA3,0	0,066	200	
ZA3,5	0,104	210	
ZA4,0	0,078	220	
ZA5,0	0,082	230	
ZA6,0	0,094	240	
ZA7,0	0,110	250	
ZA8,0	0,112	250	
ZA9,0	0,208	300	
ZA10,0	0,232	320	
ZA12,0	0,255	350	
ZA14,0	0,310	400	
ZA15,0	0,750	600	
ZA16,0	0,710	700	
ZA17,0	0,950	800	
ZA18,0	0,810	850	
ZA19,0	0,950	900	
ZA20,0	1,090	950	
ZA22,0	1,150	1000	
ZA23,0	1,220	1050	
ZA25,0	1,490	1100	
ZA28,0	1,550	1200	
ZA30,0	1,630	1300	
ZA35,0	2,100	1400	
ZA45,0	2,700	1500	

Push-In fix for bores

M1355/ZJ



d_1	Part number	Tolerance	d_3	d_4	s	Nut	n min.	h
8,0	ZJ8	+0,00	4,0	8,25	0,25	6	2,0	0,7
10,0	ZJ10	- 0,09	5,0	10,20	0,25	6	2,0	0,8
12,0	ZJ12	+0,00	6,0	12,25	0,25	6	2,5	1,0
14,0	ZJ14	- 0,11	8,0	14,25	0,30	6	2,5	1,1
15,0	ZJ15		9,0	15,25	0,30	6	2,5	1,1
16,0	ZJ16		10,0	16,30	0,30	6	2,5	1,0
17,0	ZJ17		11,0	17,30	0,30	8	3,0	1,0
18,0	ZJ18		10,5	18,30	0,40	8	3,0	1,3
19,0	ZJ19	+0,00	11,0	20,20	0,50	8	3,5	1,2
20,0	ZJ20	- 0,13	11,0	20,35	0,40	8	3,5	1,2
22,0	ZJ22		13,0	22,35	0,50	8	3,5	1,6
25,0	ZJ25		16,0	25,35	0,50	10	3,5	1,5
26,0	ZJ26		17,0	26,40	0,50	10	3,5	1,5
28,0	ZJ28		19,0	28,40	0,50	10	3,5	1,4
30,0	ZJ30		21,0	30,40	0,50	8	4,0	1,5
32,0	ZJ32	+0,00	22,5	32,40	0,50	12	4,0	1,5
35,0	ZJ35	- 0,16	25,0	35,40	0,50	12	4,0	1,6
40,0	ZJ40		30,0	40,40	0,50	12	4,0	1,6
45,0	ZJ45		35,0	45,40	0,50	12	4,0	1,6
46,0	ZJ46		36,0	46,50	0,50	12	4,0	1,6
50,0	ZJ50		39,0	50,50	0,50	12	4,0	1,7



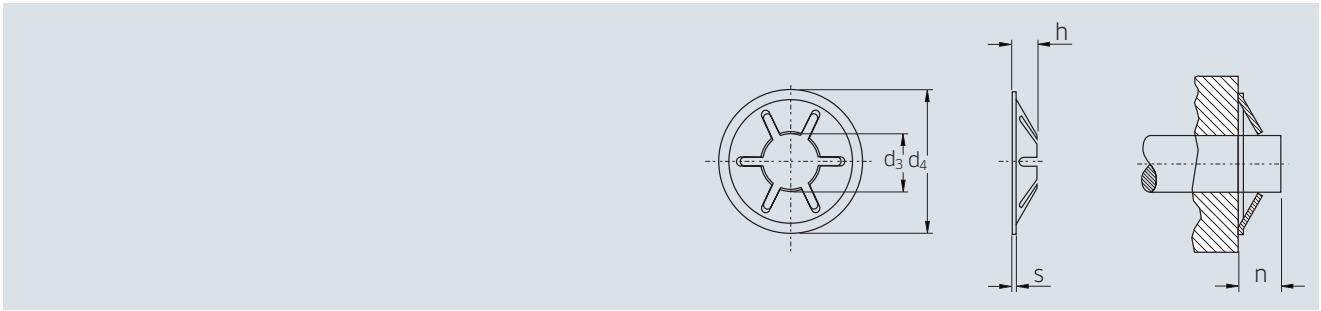
Data			
Part number	Weight [kg/1000]	FRg [N]	Article No.
ZJ8	0,048	300	
ZJ10	0,068	350	
ZJ12	0,112	450	
ZJ14	0,172	500	
ZJ15	0,192	550	
ZJ16	0,206	600	
ZJ17	0,236	650	
ZJ18	0,380	700	
ZJ19	0,604	800	
ZJ20	0,512	800	
ZJ22	0,680	800	
ZJ25	0,810	800	
ZJ26	0,856	850	
ZJ28	0,922	850	
ZJ30	1,010	900	
ZJ32	1,210	900	
ZJ35	1,320	900	
ZJ40	1,720	950	
ZJ45	1,830	950	
ZJ46	1,870	1000	
ZJ50	2,160	1000	

Heavy duty push-on fix for shafts

KS



d_1	Part number	Tolerance	d_3	d_4	s	Nut	n min.	h
1,5	KS1,5	+0,000	1,30	6,00	0,25	3	2,5	1,2
2,0	KS2,0	- 0,025	1,80	7,00	0,30	3	2,5	1,3
2,5	KS2,5		2,30	8,25	0,30	3	2,5	1,5
3,0	KS3,0		2,80	10,00	0,40	3	3,0	2,0
3,5	KS3,5	+0,000	3,25	11,50	0,40	3	3,0	2,0
4,0	KS4,0	- 0,0,30	3,75	13,00	0,50	4	3,5	2,4
5,0	KS5,0		4,75	15,00	0,50	4	3,5	2,7
6,0	KS6,0		5,75	16,50	0,60	6	4,0	2,6
7,0	KS7,0	+0,000	6,75	18,00	0,60	6	4,0	2,9
8,0	KS8,0	- 0,036	7,75	19,50	0,70	6	4,0	2,8
9,0	KS9,0		8,75	21,00	0,70	6	4,0	3,0
10,0	KS10,0		9,75	22,00	0,80	6	4,0	3,0



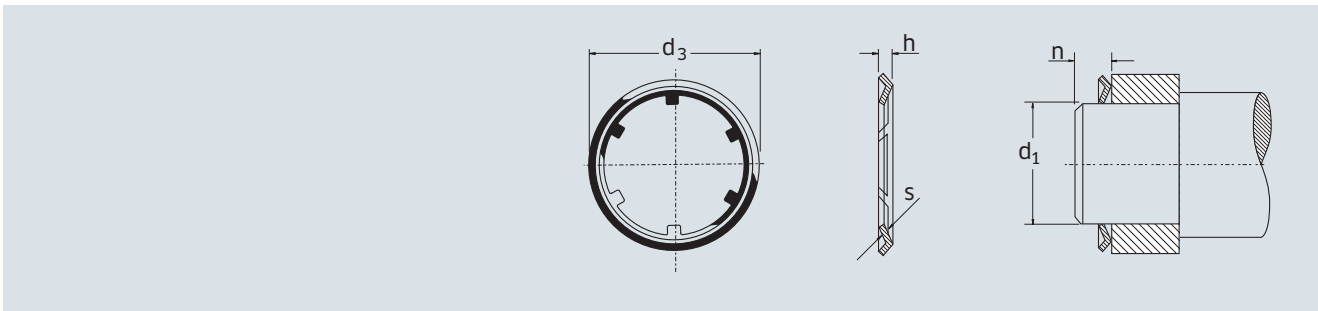
Data			
Part number	Weight [kg/1000]	H [N]	Article No.
KS1,5	0,10	200	
KS2,0	0,13	400	
KS2,5	0,15	700	
KS3,0	0,20	1200	
KS3,5	0,25	1200	
KS4,0	0,50	1300	
KS5,0	0,75	1500	
KS6,0	1,15	1800	
KS7,0	1,25	2000	
KS8,0	1,40	3000	
KS9,0	1,50	3500	
KS10,0	1,65	4000	

Push-on fix for shafts

N1465/NZA



d_1	Part number	Tolerance	d_3	Tolerance	s	h	Tolerance	n
0,094	NZA009	±,003	0,326	±,005	0,010	0,029	±,005	3
0,125	NZA012		0,366		0,010	0,029		4
0,156	NZA015	±,004	0,397		0,010	0,029		4
0,188	NZA018		0,444		0,010	0,031	±,007	6
0,250	NZA025		0,522		0,010	0,037	±,008	6
0,312	NZA031		0,584		0,010	0,037		8
0,375	NZA037		0,645		0,010	0,037		8
0,437	NZA043	±,005	0,737		0,015	0,045	±,009	10
0,500	NZA050		0,828	±,010	0,015	0,054	±,010	10
0,562	NZA056		0,889		0,015	0,054		12
0,625	NZA062		0,951		0,015	0,054		12
0,750	NZA075		1,076		0,015	0,054		14
0,875	NZA087		1,203		0,015	0,054		16
1,000	NZA100		1,327		0,015	0,054		18



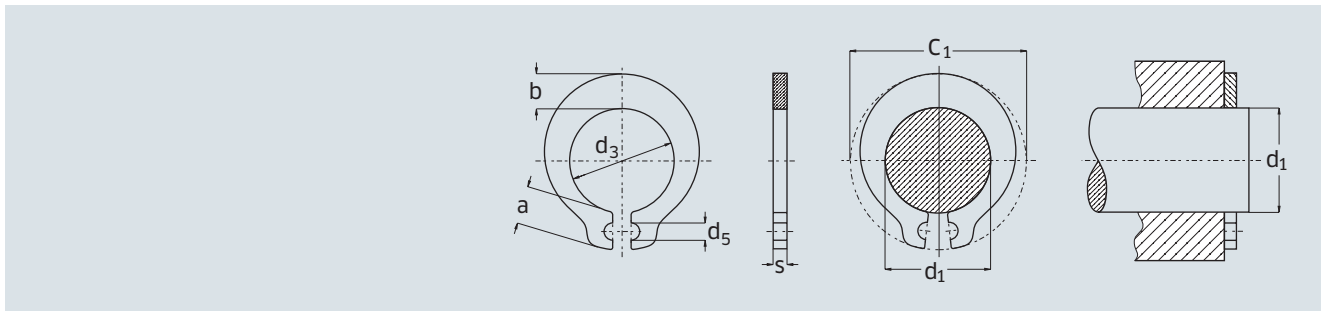
Data			
Part number	Weight [lbs/1000]	Tc	Article No.
NZA009	0,07	27	
NZA012	0,09	38	
NZA015	0,10	45	
NZA018	0,12	55	
NZA025	0,18	58	
NZA031	0,20	60	
NZA037	0,22	65	
NZA043	0,44	120	
NZA050	0,58	120	
NZA056	0,63	125	
NZA062	0,67	135	
NZA075	0,75	140	
NZA087	0,89	140	
NZA100	1,04	140	

Grip rings for shafts without grooves

M1440/G



d_1	Part number	s	d_3	Tolerance	a max.	b =	d_5 min.	C_1	Weight [kg/1000]
1,5	G1,5	0,40	1,40	±0,020	1,7	0,7	0,9	4,9	0,013
2,0	G2,0	0,60	1,90		1,9	1,0	0,9	5,8	0,036
2,2	G2,2	0,60	2,05	±0,025	1,9	1,1	0,9	6,0	0,038
2,5	G2,5	0,60	2,35	±0,030	1,9	1,2	0,9	6,3	0,045
2,8	G2,8	0,60	2,65	±0,035	2,0	1,3	0,9	6,8	0,057
3,0	G3,0	0,60	2,85	±0,040	2,1	1,4	0,9	7,2	0,065
3,5	G3,5	0,60	3,30	±0,050	2,3	1,6	1,2	8,1	0,081
4,0	G4,0	0,80	3,80	±0,060	2,7	1,8	1,2	9,4	0,154
4,5	G4,5	0,80	4,25	±0,075	2,9	2,0	1,3	10,3	0,173
5,0	G5,0	0,80	4,75		2,9	2,2	1,3	10,8	0,200
5,5	G5,5	0,80	5,20		3,0	2,2	1,3	11,5	0,216
6,0	G6,0	1,00	5,70		3,2	2,4	1,4	12,4	0,402
7,0	G7,0	1,00	6,70	±0,090	3,4	2,7	1,4	13,8	0,428
8,0	G8,0	1,00	7,70		3,5	3,0	1,4	15,0	0,524
9,0	G9,0	1,20	8,65		4,7	3,3	2,0	18,4	0,808
10,0	G10,0	1,20	9,65		4,7	3,5	2,0	19,4	0,944
10,5	G10,5	1,20	10,20	±0,110	4,0	3,8	1,5	18,5	1,100
11,0	G11,0	1,20	10,60		4,8	4,2	2,0	20,6	1,208
12,0	G12,0	1,20	11,60		4,8	4,6	2,0	22,6	1,454
13,0	G13,0	1,20	12,55		5,3	5,0	2,0	23,6	1,750
13,8	G13,8	1,50	13,30		5,1	5,4	2,2	24,0	2,492
14,0	G14,0	1,50	13,50		5,1	5,4	2,2	24,2	2,456
15,0	G15,0	1,50	14,50		5,1	5,6	2,2	25,2	2,716
16,0	G16,0	1,50	15,40		5,6	5,8	2,5	27,2	2,940
17,0	G17,0	1,75	16,35		6,0	6,2	2,5	29,0	4,010
18,0	G18,0	1,75	17,30		6,1	6,6	2,5	30,2	4,460
20,0	G20,0	1,75	19,30	±0,130	6,1	7,1	2,5	32,2	5,270
22,0	G22,0	1,75	21,20		6,6	7,4	2,5	35,2	6,060
24,0	G24,0	1,75	23,15		6,6	7,8	2,5	36,2	7,000
25,0	G25,0	1,75	24,15		6,6	8,2	2,5	37,2	7,450
30,0	G30,0	1,75	29,00		9,0	9,0	2,5	48,0	10,000



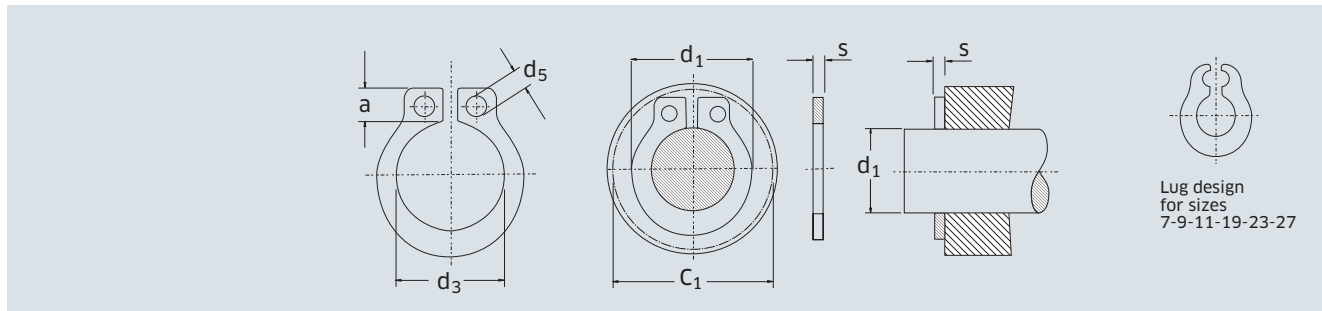
Part number	H (N)	^o det. x1000 [rpm]	Article No.
G1,5	40	350	
G2,0	50	260	
G2,2	50	270	
G2,5	60	220	
G2,8	70	190	
G3,0	75	170	
G3,5	90	150	
G4,0	100	125	
G4,5	120	120	
G5,0	130	100	
G5,5	150	90	
G6,0	170	81	
G7,0	180	63	
G8,0	200	52	
G9,0	230	46	
G10,0	250	39	
G10,5	260	34	
G11,0	280	37	
G12,0	300	33	
G13,0	320	31	
G13,8	350	30	
G14,0	350	29	
G15,0	400	26	
G16,0	500	26	
G17,0	600	24	
G18,0	700	23	
G20,0	700	20	
G22,0	750	18	
G24,0	750	16	
G25,0	750	15	
G30,0	750	12	

Grip rings for shafts without grooves

N1440/NG



d_1	Part number	Tolerance	d_3	Tolerance	C_1	s	Tolerance	d_5	Tolerance	a ≈
0,079	NG007	±,001	0,074	+ ,002	0,24	0,025	±,002	0,034	±,004	0,071
0,094	NG009	±,002	0,089	- ,003	0,26	0,025		0,034		0,074
0,118	NG011		0,112		0,29	0,025		0,034		0,081
0,125	NG012		0,120		0,33	0,025		0,042	+ ,010	0,078
0,156	NG015		0,149	±,003	0,36	0,025		0,042	- ,002	0,078
0,187	NG018		0,180		0,44	0,035	±,003	0,051		0,097
0,197	NG019		0,187		0,43	0,032		0,051		0,104
0,236	NG023		0,224		0,50	0,039		0,051	±,004	0,098
0,250	NG025		0,237		0,49	0,035		0,051	+ ,010	0,097
0,276	NG027		0,264		0,55	0,039		0,064	- ,002	0,125
0,313	NG031	±,003	0,297	±,004	0,67	0,042		0,078	+ ,015	0,141
0,375	NG037		0,353		0,73	0,042		0,078	- ,002	0,141
0,437	NG043		0,411		0,82	0,050		0,078		0,151
0,500	NG050		0,469	±,005	0,89	0,050		0,078		0,158
0,590	NG059		0,570		1,03	0,059		0,078		0,189
0,625	NG062		0,592		1,06	0,062	±,004	0,078		0,180
0,750	NG075	±,005	0,705		1,31	0,062		0,120		0,233



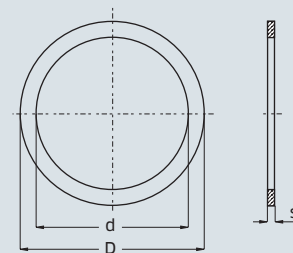
Part number	Weight [lbs/1000]	Tc	Article No.
NG007	0,08	10	
NG009	0,10	10	
NG011	0,17	15	
NG012	0,24	20	
NG015	0,30	22	
NG018	0,55	25	
NG019	0,67	30	
NG023	0,76	35	
NG025	0,74	35	
NG027	1,14	40	
NG031	1,39	45	
NG037	1,72	60	
NG043	2,16	60	
NG050	2,19	65	
NG059	5,15	80	
NG062	5,70	85	
NG075	6,88	90	

Shim washers

DIN988/PS



\emptyset	Δ		kg/1000				
d	D	Part number	0,1 -0,03	0,15 -0,04	0,2 -0,04	0,25 -0,04	0,3 -0,05
3	6	PS3 X 6 X Δ	0,016	0,024	0,032	0,040	0,050
4	8	PS4 X 8 X Δ	0,030	0,045	0,060	0,075	0,089
5	10	PS5 X 10 X Δ	0,046	0,069	0,092	0,115	0,139
6	12	PS6 X 12 X Δ	0,067	0,101	0,134	0,168	0,200
7	13	PS7 X 13 X Δ	0,074	0,111	0,148	0,185	0,221
8	14	PS8 X 14 X Δ	0,082	0,123	0,164	0,205	0,245
9	15	PS9 X 15 X Δ	0,089	0,134	0,178	0,223	0,270
10	16	PS10 X 16 X Δ	0,096	0,144	0,192	0,240	0,290
11	17	PS11 X 17 X Δ	0,103	0,155	0,206	0,258	0,310
12	18	PS12 X 18 X Δ	0,111	0,167	0,222	0,278	0,332
13	19	PS13 X 19 X Δ	0,119	0,179	0,237	0,296	0,357
14	20	PS14 X 20 X Δ	0,126	0,189	0,252	0,315	0,378
15	21	PS15 X 21 X Δ	0,133	0,199	0,266	0,333	0,399
15	22	PS15 X 22 X Δ	0,137	0,205	0,274	0,342	0,410
16	22	PS16 X 22 X Δ	0,140	0,210	0,280	0,350	0,420
17	24	PS17 X 24 X Δ	0,177	0,266	0,354	0,443	0,530
18	25	PS18 X 25 X Δ	0,185	0,278	0,370	0,463	0,551
19	26	PS19 X 26 X Δ	0,194	0,291	0,388	0,485	0,584
20	28	PS20 X 28 X Δ	0,236	0,354	0,472	0,590	0,710
22	30	PS22 X 30 X Δ	0,257	0,386	0,514	0,643	0,770
22	32	PS22 X 32 X Δ	0,333	0,500	0,666	0,833	1,000
25	35	PS25 X 35 X Δ	0,370	0,555	0,740	0,925	1,110
25	36	PS25 X 36 X Δ	0,414	0,621	0,828	1,035	1,240
26	37	PS26 X 37 X Δ	0,427	0,641	0,854	1,068	1,280
28	40	PS28 X 40 X Δ	0,503	0,755	1,006	1,258	1,510
30	42	PS30 X 42 X Δ	0,535	0,803	1,070	1,338	1,600
32	45	PS32 X 45 X Δ	0,619	0,929	1,238	1,548	1,860
35	45	PS35 X 45 X Δ	0,495	0,743	0,990	1,238	1,490
36	45	PS36 X 45 X Δ	0,451	0,677	0,902	1,128	1,350
37	47	PS37 X 47 X Δ	0,516	0,774	1,032	1,290	1,550
40	50	PS40 X 50 X Δ	0,554	0,831	1,108	1,385	1,690
42	52	PS42 X 52 X Δ	0,580	0,870	1,060	1,350	1,730
45	55	PS45 X 55 X Δ	0,620	0,930	1,220	1,530	1,850
45	56	PS45 X 56 X Δ	0,680	1,020	1,360	1,700	2,040
48	60	PS48 X 60 X Δ	0,790	1,180	1,580	1,970	2,370



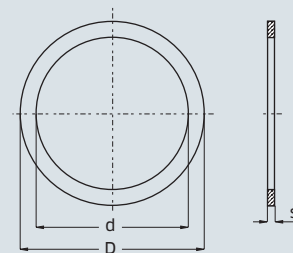
>■< / Δ	kg/1000					Article No.
Part number	0,5 -0,05	1,0 -0,05	1,2 -0,07	1,5 -0,07	2,0 -0,07	
PS3 X 6 X >■<	0,083	0,165				
PS4 X 8 X >■<	0,148	0,296				
PS5 X 10 X >■<	0,231	0,462				
PS6 X 12 X >■<	0,333	0,666				
PS7 X 13 X >■<	0,369	0,738				
PS8 X 14 X >■<	0,408	0,815				
PS9 X 15 X >■<	0,445	0,891				
PS10 X 16 X >■<	0,481	0,963				
PS11 X 17 X >■<	0,515	1,030				
PS12 X 18 X >■<	0,555	1,110				
PS13 X 19 X >■<	0,595	1,190	1,428			
PS14 X 20 X >■<	0,630	1,260	1,512			
PS15 X 21 X >■<	0,665	1,330	1,596			
PS15 X 22 X >■<	0,683	1,360	1,636			
PS16 X 22 X >■<	0,700	1,400	1,680			
PS17 X 24 X >■<	0,885	1,770	2,124			
PS18 X 25 X >■<	0,925	1,850	2,220			
PS19 X 26 X >■<	0,970	1,940	2,328			
PS20 X 28 X >■<	1,180	2,360	2,832	3,540		
PS22 X 30 X >■<	1,280	2,570	3,084	3,855		
PS22 X 32 X >■<	1,660	3,330	3,996	4,995		
PS25 X 35 X >■<	1,850	3,700	4,440	5,550		
PS25 X 36 X >■<	2,070	4,140	4,968	6,210		
PS26 X 37 X >■<	2,130	4,270	5,124	6,400		
PS28 X 40 X >■<	2,510	5,030	6,036	7,540		
PS30 X 42 X >■<	2,680	5,350	6,420	8,030	10,7	
PS32 X 45 X >■<	3,100	6,190	7,430	9,290	12,4	
PS35 X 45 X >■<	2,480	4,950	5,940	7,430	9,9	
PS36 X 45 X >■<	2,250	4,510	5,410	6,760	9,0	
PS37 X 47 X >■<	2,580	5,160	6,190	7,740	10,3	
PS40 X 50 X >■<	2,770	5,540	6,650	8,310	11,1	
PS42 X 52 X >■<	3,900	5,780	6,930	8,680	11,5	
PS45 X 55 X >■<	3,100	6,200	7,440	9,300	12,4	
PS45 X 56 X >■<	3,400	6,800	8,160	10,200	13,6	
PS48 X 60 X >■<	3,950	7,900	9,480	11,800	15,8	

Shim washers

DIN988/PS



\emptyset	$>\blacksquare</math> / \Delta$		kg/1000				
d	D	Part number	0,1 -0,03	0,15 -0,04	0,2 -0,04	0,25 -0,04	0,3 -0,05
50	62	PS50 X 62 X $>\blacksquare<$	0,83	1,24	1,66	2,07	2,49
50	63	PS50 X 63 X $>\blacksquare<$	0,91	1,36	1,82	2,27	2,73
52	65	PS52 X 65 X $>\blacksquare<$	0,94	1,41	1,88	2,35	2,82
55	68	PS55 X 68 X $>\blacksquare<$	0,98	1,47	1,96	2,45	2,93
56	70	PS56 X 70 X $>\blacksquare<$	1,09	1,64	2,18	2,73	3,27
56	72	PS56 X 72 X $>\blacksquare<$	1,27	1,90	2,54	3,17	3,80
60	75	PS60 X 75 X $>\blacksquare<$	1,25	1,87	2,50	3,12	3,75
63	80	PS63 X 80 X $>\blacksquare<$	1,50	2,25	3,00	3,75	4,50
65	85	PS65 X 85 X $>\blacksquare<$	1,85	2,77	3,70	4,62	5,55
70	90	PS70 X 90 X $>\blacksquare<$	1,97	2,95	3,94	4,92	5,90
75	95	PS75 X 95 X $>\blacksquare<$	2,09	3,13	4,18	5,22	6,28
80	100	PS80 X 100 X $>\blacksquare<$	2,22	3,33	4,44	5,55	6,65
85	105	PS85 X 105 X $>\blacksquare<$	2,34	3,51	4,68	5,85	7,05
90	110	PS90 X 110 X $>\blacksquare<$	2,47	3,70	4,94	6,17	7,40
95	115	PS95 X 115 X $>\blacksquare<$	2,59	3,88	5,18	6,47	7,77
100	120	PS100 X 120 X $>\blacksquare<$	2,72	4,08	5,44	6,80	8,15
100	125	PS100 X 125 X $>\blacksquare<$	3,47	5,20	6,94	8,67	10,40
105	130	PS105 X 130 X $>\blacksquare<$	3,62	5,43	7,22	9,05	10,80
110	140	PS110 X 140 X $>\blacksquare<$	4,62	6,93	9,22	11,50	13,90
120	150	PS120 X 150 X $>\blacksquare<$	5,00	7,50	10,00	12,50	15,00
130	160	PS130 X 160 X $>\blacksquare<$	5,36	8,04	10,70	13,40	16,10
140	170	PS140 X 170 X $>\blacksquare<$	5,73	8,60	11,50	14,30	17,20
150	180	PS150 X 180 X $>\blacksquare<$	6,10	9,15	12,20	15,20	18,30
160	190	PS160 X 190 X $>\blacksquare<$	6,47	9,70	12,90	16,20	19,40
170	200	PS170 X 200 X $>\blacksquare<$	6,85	10,30	13,70	17,10	20,60



>■< / Δ kg/1000

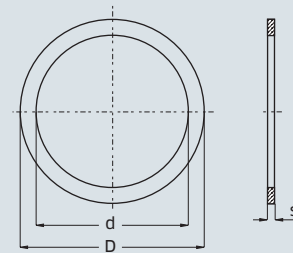
Part number	0,5 -0,05	1,0 -0,05	1,2 -0,07	1,5 -0,07	2,0 -0,07	Article No.
PS50 X 62 X >■<	4,15	8,30	9,96	12,40	16,60	
PS50 X 63 X >■<	4,55	9,10	10,90	13,60	18,20	
PS52 X 65 X >■<	4,70	9,40	11,30	14,10	18,80	
PS55 X 68 X >■<	4,90	9,80	11,70	14,70	19,60	
PS56 X 70 X >■<	5,45	10,90	13,10	16,40	21,80	
PS56 X 72 X >■<	6,35	12,70	15,20	19,00	25,40	
PS60 X 75 X >■<	6,25	12,50	15,00	18,70	25,00	
PS63 X 80 X >■<	7,50	15,00	18,00	22,50	30,00	
PS65 X 85 X >■<	9,25	18,50	22,20	27,70	37,00	
PS70 X 90 X >■<	9,85	19,70	23,60	29,50	39,40	
PS75 X 95 X >■<	10,50	20,90	25,10	31,40	41,80	
PS80 X 100 X >■<	11,10	22,20	26,60	33,30	44,40	
PS85 X 105 X >■<	11,70	23,40	28,10	35,10	46,80	
PS90 X 110 X >■<	12,40	24,70	29,60	37,10	49,40	
PS95 X 115 X >■<	13,00	25,90	31,10	38,90	51,80	
PS100 X 120 X >■<	13,60	27,20	32,60	40,80	54,40	
PS100 X 125 X >■<	17,30	34,70				
PS105 X 130 X >■<	18,10	36,20				
PS110 X 140 X >■<	23,10	46,20				
PS120 X 150 X >■<	25,00	50,00				
PS130 X 160 X >■<	26,80	53,60				
PS140 X 170 X >■<	28,50	57,30				
PS150 X 180 X >■<	30,50	61,00				
PS160 X 190 X >■<	32,30	64,70				
PS170 X 200 X >■<	34,30	68,50				

Support washers

DIN988/SS



0 >■<						0 >■<					
d	D	Part number	s	Tolerance	Weight [kg/1000]	d	D	Part number	s	Tolerance	Weight [kg/1000]
3	6	SS3 X 6 X 1,0	1,0	-0,05	0,165	22	32	SS22 X 32 X 2,0	2,0	-0,05	6,66
4	8	SS4 X 8 X 1,0	1,0		0,296	25	35	SS25 X 35 X 2,0	2,0		7,40
5	10	SS5 X 10 X 1,0	1,0		0,462	25	36	SS25 X 36 X 2,0	2,0		8,28
6	12	SS6 X 12 X 1,2	1,2		0,800	26	37	SS26 X 37 X 2,0	2,0		8,54
7	13	SS7 X 13 X 1,2	1,2		0,885	28	40	SS28 X 40 X 2,0	2,0		10,06
8	14	SS8 X 14 X 1,2	1,2		0,980	30	42	SS30 X 42 X 2,5	2,5		13,40
9	15	SS9 X 15 X 1,2	1,2		1,070	32	45	SS32 X 45 X 2,5	2,5		15,50
10	16	SS10 X 16 X 1,2	1,2		1,150	35	45	SS35 X 45 X 2,5	2,5		12,30
11	17	SS11 X 17 X 1,2	1,2		1,233	36	45	SS36 X 45 X 2,5	2,5		11,30
12	18	SS12 X 18 X 1,2	1,2		1,330	37	47	SS37 X 47 X 2,5	2,5		12,90
13	19	SS13 X 19 X 1,5	1,5		1,780	40	50	SS40 X 50 X 2,5	2,5		13,90
14	20	SS14 X 20 X 1,5	1,5		1,890	42	52	SS42 X 52 X 2,5	2,5		14,50
15	21	SS15 X 21 X 1,5	1,5		2,000	45	55	SS45 X 55 X 3,0	3,0	-0,06	18,60
15	22	SS15 X 22 X 1,5	1,5		2,050	45	56	SS45 X 56 X 3,0	3,0		20,40
16	22	SS16 X 22 X 1,5	1,5		2,100	48	60	SS48 X 60 X 3,0	3,0		23,70
17	24	SS17 X 24 X 1,5	1,5		2,650	50	62	SS50 X 62 X 3,0	3,0		24,90
18	25	SS18 X 25 X 1,5	1,5		2,780	50	63	SS50 X 63 X 3,0	3,0		27,30
19	26	SS19 X 26 X 1,5	1,5		2,910	52	65	SS52 X 65 X 3,0	3,0		28,20
20	28	SS20 X 28 X 2,0	2,0		4,720	55	68	SS55 X 68 X 3,0	3,0		29,30
22	30	SS22 X 30 X 2,0	2,0		5,140	56	70	SS56 X 70 X 3,0	3,0		32,70



0		>■<				
d	D	Part number	s	Tolerance	Weight [kg/1000]	Article No.
56	72	SS56 X 72 X 3,0	3,0	-0,06	38,0	
60	75	SS60 X 75 X 3,0	3,0		37,5	
63	80	SS63 X 80 X 3,0	3,0		45,0	
65	85	SS65 X 85 X 3,5	3,5		63,0	
70	90	SS70 X 90 X 3,5	3,5		69,0	
75	95	SS75 X 95 X 3,5	3,5		73,2	
80	100	SS80 X 100 X 3,5	3,5		77,8	
85	105	SS85 X 105 X 3,5	3,5		82,0	
90	110	SS90 X 110 X 3,5	3,5		86,5	
95	115	SS95 X 115 X 3,5	3,5		90,7	
100	120	SS100 X 120 X 3,5	3,5	-0,08	95,2	
100	125	SS100 X 125 X 3,5	3,5		122,0	
105	130	SS105 X 130 X 3,5	3,5		127,0	
110	140	SS110 X 140 X 3,5	3,5		162,0	
120	150	SS120 X 150 X 3,5	3,5		175,0	
130	160	SS130 X 160 X 3,5	3,5		188,0	
140	170	SS140 X 170 X 3,5	3,5		201,0	
150	180	SS150 X 180 X 3,5	3,5		214,0	
160	190	SS160 X 190 X 3,5	3,5		227,0	
170	200	SS170 X 200 X 3,5	3,5		240,0	

Notes



Copyright

All texts, images, technical documents and other information contained in this catalogue are subject to copyright held by Titgemeyer GmbH & Co. KG. Any reproduction or disclosure, whether as a copy or other form of duplication or use, is expressly prohibited without the prior consent of Titgemeyer GmbH & Co. KG.

Registered trademarks

The trademarks BÖRTI, GETO, GETOVAN, GTO, LockBolt, MEGA PORT, plasti van, POLYSTIC, press-ti, RIEKO, RIV-TI, ROLL-TO, TIBOLT, TIBULB, TIFAS, TILA, TIOS and Titgemeyer are registered trademarks and the intellectual property of Titgemeyer GmbH & Co. KG.

Term of Delivery and Payment

All deliveries are carried out in compliance with our Terms of Delivery and Payment.

Limitation of liability

All technical data, performance descriptions, drawings, illustrations, measurements, weights or any other performance data, recommendations and guidelines contained in this catalogue and relating to the installation of parts that we supply are only binding if so expressly agreed. Moreover, the user is obliged at all times to check each individual use and decide whether the components that we supply can be used as needed.

We accept liability in the case of wilful intent, gross negligence and infringement of cardinal contractual duties as well as for errors in respect of express or implied representations. Notwithstanding this, any claims for compensation not explicitly agreed to in these terms and conditions are hereby excluded in the case of customers who are not consumers and, in the case of such customers, who are not consumers, at all events limited to the damage foreseeable at the time of concluding the contract as well as to the value of the delivered consignment. To the extent that our liability is excluded or limited, this shall extend accordingly to the personal liability of employees, legal representatives and vicarious agents. In all instances of gross negligence committed by vicarious agents, we shall solely be liable to customers, who are not consumers, to compensate for typically foreseeable damage. The statutory regulation governing the burden of proof shall remain unaffected. The aforementioned limitation of liability shall not apply to claims resulting from product liability, for damage resulting from injury to life, limb or health, or for damage to privately used property.

About us

The Titgemeyer Group is a leading company for fastening technology fastening technology and vehicle components at 15 locations in Europe. The traditional company develops, manufactures and sells more than 30,000 fastening elements, tools and vehicle components – in series production and on request.

Headquarters

Titgemeyer GmbH & Co. KG
Hannoversche Straße 97
49084 Osnabrück / DE

PO Box 4320
49033 Osnabrück / DE

T +49 541 5822-0
E info@titgemeyer.com
W titgemeyer.com



Sales locations

Titgemeyer Austria GmbH
Brunner Straße 77 - 79
1230 Wien / AT

T +43 (0) 1/6 67 90 40 - 0
E sales@titgemeyer.com
W titgemeyer.at

Titgemeyer CZ spol. s r. o.
U Vodárny 1506
397 01 Písek / CZ

T +420 382 2067 - 25
E sales@titgemeyer.com
W titgemeyercz.cz

Titgemeyer Polska sp. z o.o.
Cypriana Bazylika 17
98-200 Sieradz / PL

T +48 (0) 43 828 20 - 15
E sales@titgemeyer.com
W titgemeyer.pl

Titgemeyer Skandinavien A/S
Lunikvej 32
2670 Greve / DK

T +45 4360 0966
E info@titgemeyer.dk
W titgemeyer.dk

Titgemeyer Skandinavien A/S
Box 3218
550 03 Jönköping / SE

T +46 36 128350
E info@titgemeyer.se
W titgemeyer.se

Titgemeyer Turkey Baglanti Teknolojileri San. ve Tic. A.S.
Barbaros Mah. Is Merkezi No.1
Kat: 8 D.58
34746 Atasehir, Istanbul / TUR

T +90 (0) 21 66 88 20 - 27
E sales@titgemeyer.com.tr
W titgemeyer.com.tr

Titgemeyer (UK) Limited
A2 Link One Industrial Park
George Henry Road
DY4 7BU Tipton / UK

T +44 (0) 1 21 5 57 97 - 77
E sales@titgemeyer.co.uk
W titgemeyer.co.uk

Production sites

Cirteq Limited
'Hayfield' Colne Road,
Glusburn, Keighley,
West Yorkshire, BD20 8QP

T +44 1535 633333
E sales@cirteq.com
W cirteq.com

Titgemeyer Tools & Automation spol s.r.o.
U Vodárny 1506
397 01 Písek / CZ

T +42 382 2067 - 11
E info@rivetec.cz
W rivetec.cz

RIEKO GmbH
Robert-Bosch-Straße 9
72124 Pliezhausen / DE

T +49 7127 9744 - 0
E info@rieko-web.com
W rieko-web.com

Titgemeyer GmbH & Co. KG Werk Lotte
Daimlerstraße 13 - 15
49504 Lotte / DE

T +49 5404 9666 - 0
E info@titgemeyer.com
W titgemeyer.com

TS Gesellschaft für Transport- und Sicherungssysteme mbH
Haßlinghauser Straße 156
58285 Gevelsberg / DE

T +49 541 5822 - 900
E ts@cargocontrol.de
W wir-sind-ladungssicherung.de