

Fastening Technology / Blind Rivets

# TIFAS<sup>®</sup> Plastic Retainers





# Contents

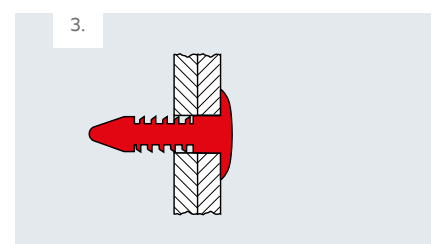
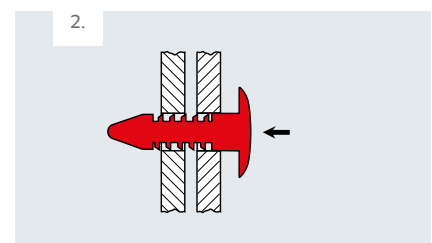
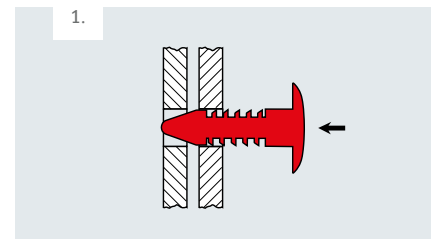
			Page
TIFAS® plastic retainer	Overview		5
	Dome head	Plastic	6



# TIFAS® plastic retainers



Plastic rivet for connecting and blind hole applications, partially detachable. Especially useful on painted surfaces. Non-corrosive.



## Benefits at a glance

- Ideal for blind side holes in timber components for securing a component
- Can be installed with applied force (e.g. hammer)
- Universal use
- Quick and secure installation
- Heatless installation means component will not warp.
- Eliminates extensive refinishing

## Applications

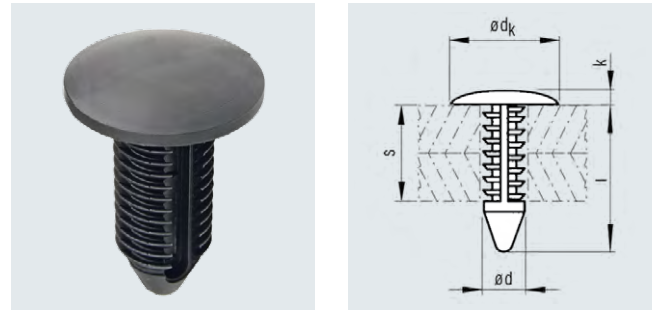
- Furniture industry
- General industry
- Bodywork and vehicle manufacture

# TIFAS® plastic retainers

## Dome head

### Material

Rivet body  
Plastic, Polyamide PA 6.6, black



Hole $\varnothing$ [mm]	Length l [mm]	Grip range s [mm]	Head		Removability	Article No.
			$\varnothing$ dk [mm]	Height k [mm]		
3.0	9.75	1.75 - 5.0	5.5	1.5	easy	409 250 000 <sup>1</sup>
	16.8	4.0 - 12.0	5.5	1.5	easy	409 251 000 <sup>1</sup>
5.0	15.3	1.6 - 9.0	11.0	1.0	easy	409 252 000 <sup>1</sup>
	17.8	2.0 - 9.0	15.0	1.5	easy	409 253 000 <sup>1</sup>
6.35	22.5	1.0 - 18.0	12.6	2.5	easy	409 254 000
7.0	27.0	0.7 - 20.0	18.0	2.0	easy	409 255 000
	38.5	2.0 - 32.0	20.0	3.0	easy	409 256 000
	45.0	2.0 - 35.0	25.5	3.0	medium	409 267 000
7.2	22.1	0.7 - 11.0	18.0	2.0	medium	409 257 000
8.2	20.0	2.0 - 14.0	36.0	3.0	medium	409 258 000
10.0	28.0	1.5 - 20.0	21.5	4.0	difficult	409 259 000

<sup>1</sup> Dome head

Other designs available on request.

**Copyright**

All texts, images, technical documents and other information contained in this catalogue are subject to copyright held by Titgemeyer GmbH & Co. KG. Any reproduction or disclosure, whether as a copy or other form of duplication or use, is expressly prohibited without the prior consent of Titgemeyer GmbH & Co. KG.

**Registered trademarks**

The trademarks BÖRTI, GETO, GETO therm, GETOVAN, GTO, LockBolt, MEGA PORT, plasti van, PLYFIX, POLYSTIC, press-ti, RIEKO, RIV-TI, ROLL-TO, TIBOLT, TIBULB, TIFAS, TILA, TIOS and Titgemeyer are registered trademarks and the intellectual property of Titgemeyer GmbH & Co. KG.

**Term of Delivery and Payment**

All deliveries are carried out in compliance with our Terms of Delivery and Payment.

**Limitation of liability**

All technical data, performance descriptions, drawings, illustrations, measurements, weights or any other performance data, recommendations and guidelines contained in this catalogue and relating to the installation of parts that we supply are only binding if so expressly agreed. Moreover, the user is obliged at all times to check each individual use and decide whether the components that we supply can be used as needed.

We accept liability in the case of wilful intent, gross negligence and infringement of cardinal contractual duties as well as for errors in respect of express or implied representations. Notwithstanding this, any claims for compensation not explicitly agreed to in these terms and conditions are hereby excluded in the case of customers who are not consumers and, in the case of such customers, who are not consumers, at all events limited to the damage foreseeable at the time of concluding the contract as well as to the value of the delivered consignment. To the extent that our liability is excluded or limited, this shall extend accordingly to the personal liability of employees, legal representatives and vicarious agents. In all instances of gross negligence committed by vicarious agents, we shall solely be liable to customers, who are not consumers, to compensate for typically foreseeable damage. The statutory regulation governing the burden of proof shall remain unaffected. The aforementioned limitation of liability shall not apply to claims resulting from product liability, for damage resulting from injury to life, limb or health, or for damage to privately used property.

**All technical specifications contained in this brochure are approximate and no guarantee is given as to their accuracy. Designs are subject to change.**

## About us

The Titgemeyer Group is a leading company for fastening technology and vehicle components at 15 locations in Europe.

The traditional company develops, manufactures and sells more than 30,000 fastening elements, tools and vehicle components – in series production and on request.

### Headquarters

**Titgemeyer GmbH & Co. KG**  
Hannoversche Straße 97  
49084 Osnabrück / DE

PO Box 4320  
49033 Osnabrück / DE

T +49 541 5822-0  
E [info@titgemeyer.com](mailto:info@titgemeyer.com)  
W [titgemeyer.com](http://titgemeyer.com)



### Sales locations

**Titgemeyer Austria GmbH**  
Brunner Straße 77 - 79  
1230 Wien / AT

T +43 (0) 1/6 67 90 40 - 0  
E [sales@titgemeyer.com](mailto:sales@titgemeyer.com)  
W [titgemeyer.at](http://titgemeyer.at)

**Titgemeyer CZ spol. s r. o.**  
U Vodárny 1506  
397 01 Písek / CZ

T +420 382 2067 - 25  
E [sales@titgemeyer.com](mailto:sales@titgemeyer.com)  
W [titgemeyercz.cz](http://titgemeyercz.cz)

**Titgemeyer Polska sp. z o.o.**  
Cypriana Bazylika 17  
98-200 Sieradz / PL

T +48 (0) 43 828 20 - 15  
E [sales@titgemeyer.com](mailto:sales@titgemeyer.com)  
W [titgemeyer.pl](http://titgemeyer.pl)

**Titgemeyer Skandinavien A/S**  
Lunikvej 32  
2670 Greve / DK

T +45 4360 0966  
E [info@titgemeyer.dk](mailto:info@titgemeyer.dk)  
W [titgemeyer.dk](http://titgemeyer.dk)

**Titgemeyer Skandinavien A/S**  
Box 3218  
550 03 Jönköping / SE

T +46 36 128350  
E [info@titgemeyer.se](mailto:info@titgemeyer.se)  
W [titgemeyer.se](http://titgemeyer.se)

**Titgemeyer Skandinavien A/S**  
Korkeakoulunkatu 7  
33720 Tampere / FI

T +358 (0) 400 448 401  
E [info@titgemeyer.fi](mailto:info@titgemeyer.fi)  
W [titgemeyer.fi](http://titgemeyer.fi)

**Titgemeyer Turkey Baglanti Teknolojileri San. ve Tic. A.S.**  
Barbaros Mah. Is Merkezi No.1  
Kat: 8 D.58  
34746 Atasehir, Istanbul / TUR

T +90 (0) 21 66 88 20 - 27  
E [sales@titgemeyer.com.tr](mailto:sales@titgemeyer.com.tr)  
W [titgemeyer.com.tr](http://titgemeyer.com.tr)

**Titgemeyer (UK) Limited**  
A2 Link One Industrial Park  
George Henry Road  
DY4 7BU Tipton / UK

T +44 (0) 1 21 5 57 97 - 77  
E [sales@titgemeyer.co.uk](mailto:sales@titgemeyer.co.uk)  
W [titgemeyer.co.uk](http://titgemeyer.co.uk)

### Production sites

**Cirteq Limited**  
'Hayfield' Colne Road,  
Glusburn, Keighley,  
West Yorkshire, BD20 8QP

T +44 1535 633333  
E [sales@cirteq.com](mailto:sales@cirteq.com)  
W [cirteq.com](http://cirteq.com)

**Titgemeyer Tools & Automation spol s.r.o.**  
U Vodárny 1506  
397 01 Písek / CZ

T +42 382 2067 - 11  
E [info@rivetec.cz](mailto:info@rivetec.cz)  
W [rivetec.cz](http://rivetec.cz)

**RIEKO GmbH**  
Robert-Bosch-Straße 9  
72124 Pliezhausen / DE

T +49 7127 9744 - 0  
E [info@rieko-web.com](mailto:info@rieko-web.com)  
W [rieko-web.com](http://rieko-web.com)

**Titgemeyer GmbH & Co. KG Werk Lotte**  
Daimlerstraße 13 - 15  
49504 Lotte / DE

T +49 5404 9666 - 0  
E [info@titgemeyer.com](mailto:info@titgemeyer.com)  
W [titgemeyer.com](http://titgemeyer.com)

**TS Gesellschaft für Transport- und Sicherungssysteme mbH**  
Haßlinghauser Straße 156  
58285 Gevelsberg / DE

T +49 541 5822 - 900  
E [ts@cargocontrol.de](mailto:ts@cargocontrol.de)  
W [wir-sind-ladungssicherung.de](http://wir-sind-ladungssicherung.de)